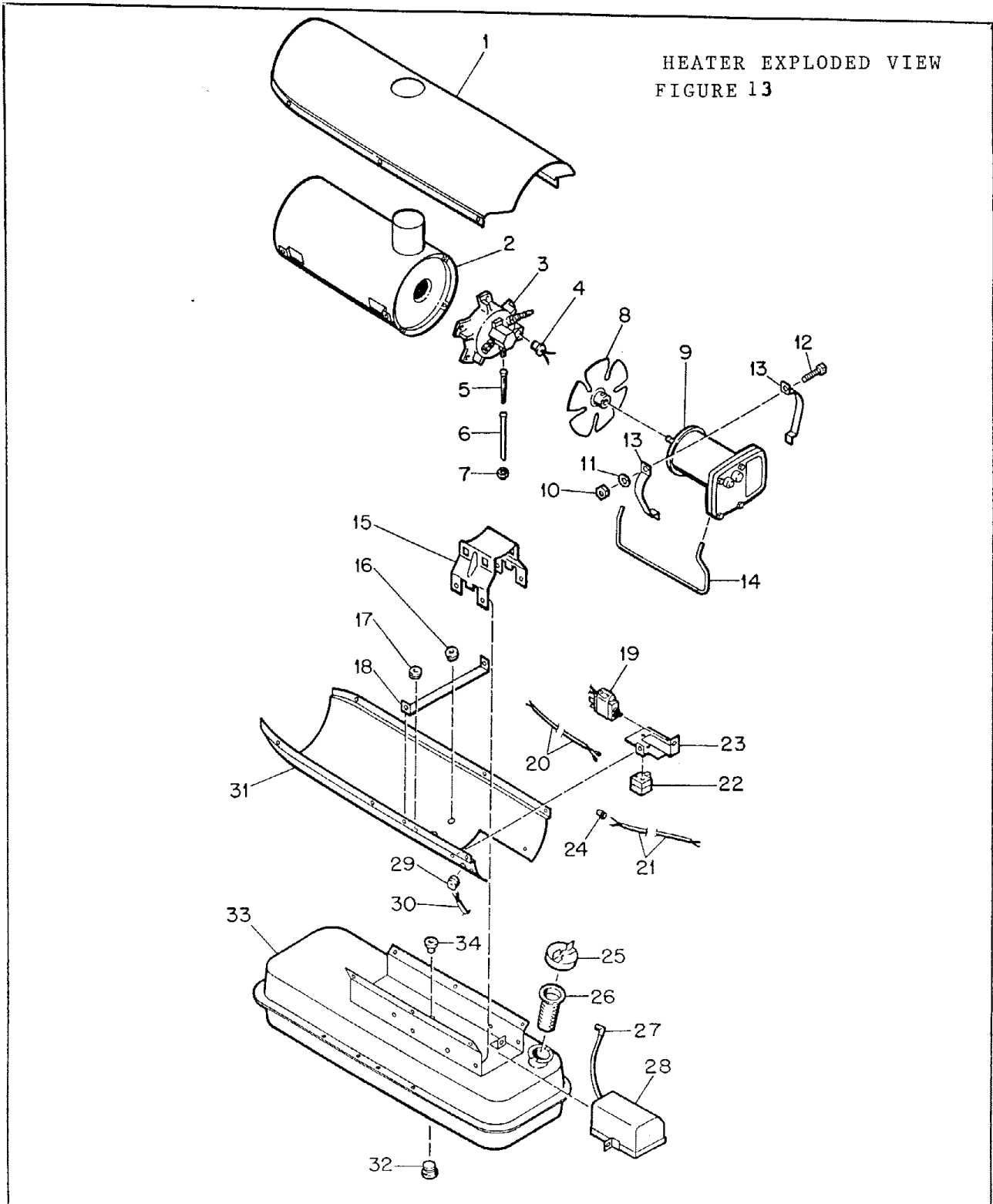


REDDY HEATER MV605 LOW PRESSURE

SPEC 3201G05
FORM NO. 3050



REDDY HEATER MV60S

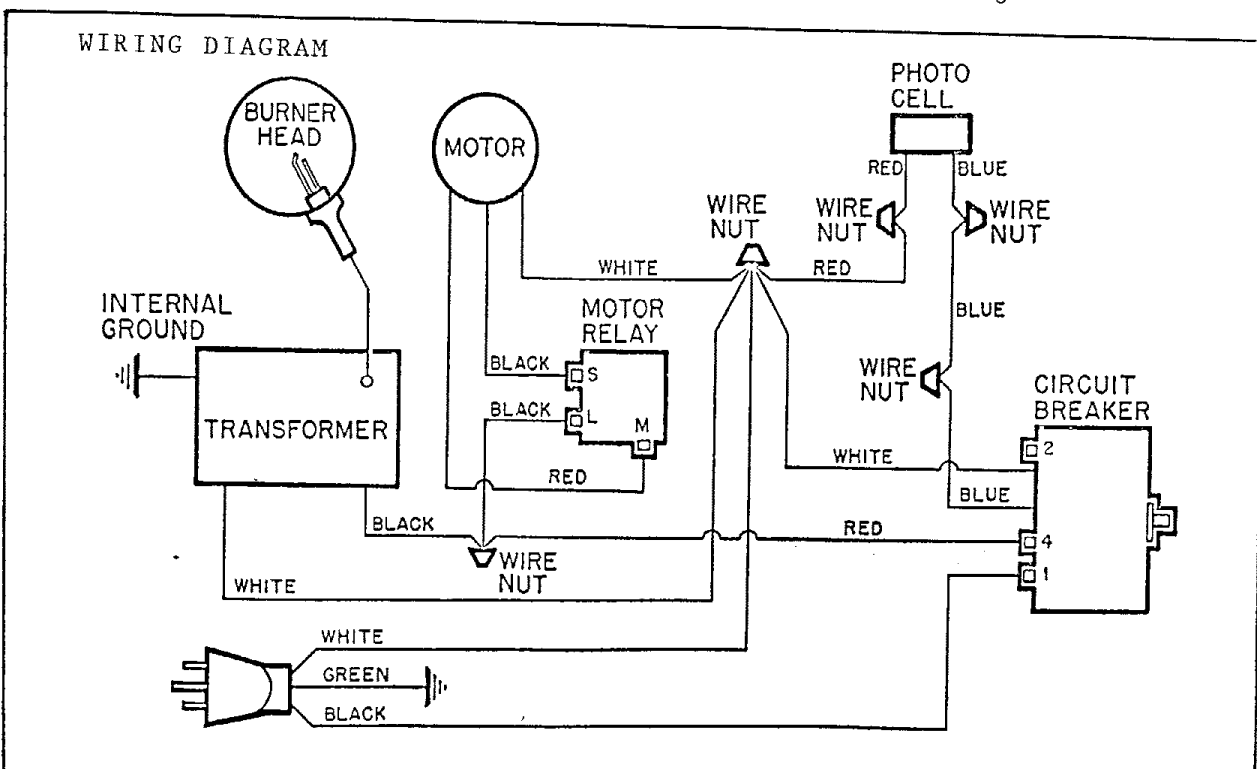
LOW PRESSURE

SPEC 3201G05

Form NO. 3050

Fig. 13 Index No.	HEATER Part Number	EXPLODED VIEW FIGURE 13 Part Name	Qty.
1	M26589D	Shell, Upper	1
	M11084-26	Screw, Hex hd., 10-12 x 3/8 in. (AP)	6
	M11271-6	Nut, Tinnerman (AP)	6
2	M26548-1	Combustion Chamber Assy	1
	M11084-26	Screw, Hex hd., 10-12 x 3/8 in. (AP)	4
3	M27367-4	Burner Body Assembly (See fig. 14 for details)	1
	M11084-26	Screw, Hex hd., 10-12 x 3/8 in. (AP)	3
4	M16656-3	Photo Cell and Bushing Assembly	1
5	M19630	Filter Element	1
6	M16790-14	Tube, Filter	1
7	M18849	Nut, Flared	1
8	M28730	Fan	1
	SF4-2-1/2K	Setscrew, Socket hd., cup point, 1/4-28 x 5/16	2
9	M25023-1	Motor Package Assembly (See fig. 15 for details)	1
10	NPC-4C	Nut, Plain, Hex 1/4-20 (AP)	2
11	WLM-4	Lockwasher, 1/4 in. (AP)	2
12	HC4-10C	Screw, Hex hd., 1/4-20 x 1-1/4 in. (AP)	2
13	M16661	Clamp, Motor	4
14	M25021	Air Line	1
15	M25059	Bracket, Support	1
	M11084-27	Screw, Hex hd., 10-12 x 1/2 in. (AP)	4

Fig. 13 Index No.	HEATER Part Number	EXPLODED VIEW FIGURE 13 Part Name	Qty.
16	1000576	Grommet	3
17	1000577	Grommet	1
18	M25645-2	Strap, Retainer	1
	M11084-26	Screw, Hex hd., 10-12 x 3/8 (AP)	2
19	M24982-5	Safety Control Assembly	1
20	M16841-16	Wire Assembly	1
21	M16841-15	Wire Assembly	1
22	M25061-1	Relay, Motor Start	1
	RC2-2.5C	Screw, Rd hd., 8-32 x 5/16 in. (AP)	1
	WLI-2	Lockwasher, No. 8	1
23	M25035	Bracket, Motor start relay	1
	M11084-26	Screw, Hex hd., 10-12 x 3/8 in. (AP)	2
24	M13942-2	Connector, Wire	2
25	M23284	Cap, Filler Neck	1
26	M18053	Screen, Filler Neck	1
27	M16748	Terminal, Ignition	1
28	*M16697	Transformer, 5000 volt	1
	M11084-27	Screw, Hex hd., 10-12 x 1/2 in.	2
29	M11143-1	Bushing, Strain relief	1
30	M10813-38	Extension Cord Assembly	1
31	M26208-2E	Shell Assembly, Lower	1
	M11084-26	Screw, Hex hd., 10-12 x 3/8 in. (AP)	6
32	M27417	Plug, Drain	1
33	M27553-04B	Fuel Tank Assembly	1
34	M10990-3	Bushing	1



KEDDY HEATER MV60S SPEC 3201G05 LOW PRESSURE FORM NO. 3050

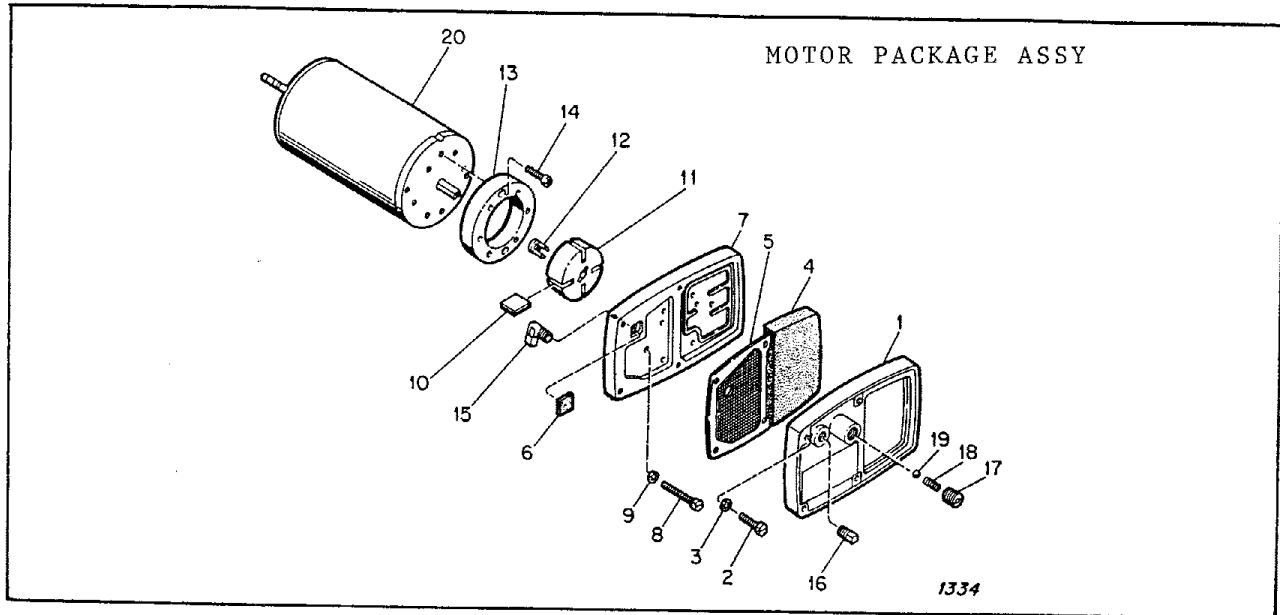


Figure 15. Motor Package Assembly

Index No.	Part Number	MOTOR PKG ASSY Part Name	Qty.	Index No.	Part Number	MOTOR PKG ASSY Part Name	Qty.
15-	M25023-1	Motor Package Assembly (See figure 13)	Ref.	10	M8643	. Blade, Pump	4
1	M16545	. End Cover, Filter	1	11	M22456-1	. Rotor, Pump	1
2	*M12461-31	. Screw, Hex hd., No. 10-32 x 1 (AP)	4	12	M22009	. Insert, Rotor	1
3	*WLI-3	. Lockwasher, Internal No. 10 (AP)	4	13	M8645	. Pump Body	1
4	M12179	. Intake Air Filter	1	14	*FHPF3-4C	. Screw (Pumpbody to motor)	2
5	M12244-1	. Output Filter Assy	1	15	69248	. Elbow, 90°	1
6	M11637	. Filter, Lint	1	16	M22997	. Plug	1
7	M12233	. Front Cover, Pump (Port plate)	1	17	M23105	. Screw, Pressure Adjustment	1
8	*M12461-32	. Screw, Hex hd., No. 10-32 x 1-1/8 (AP)	6	18	M10993-1	. Spring, Compression (Pressure Relief)	1
9	WLI-3	. Lockwasher, Internal No. 10 (AP)	6	19	M8940	. Ball, 1/4 in. dia.	1
				20	M25022-1	. Motor	1

AP Indicates attaching parts.
* Standard hardware. Purchase locally.

BURNER HEAD ASSY

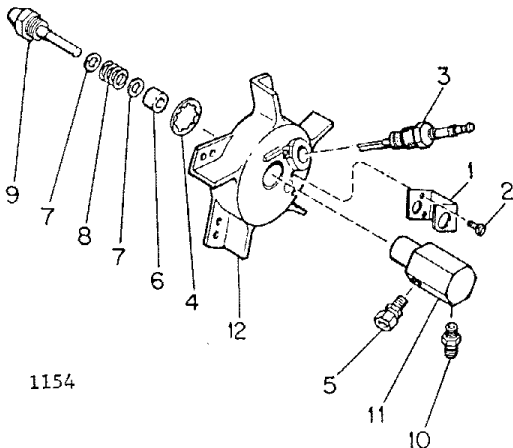


Fig. 14

Index No.	Part Number	BURNER HEAD ASSY Part Name	Qty.
14-	M27367-4	Burner Head Assembly	Ref.
1	M16660	. Bracket, Photo Cell	1
2	*M10908-1	. Screw, Hex hd., Self-tapping, No. 6-32 x 1/4 (AP)	2
3	M10962-2	. Spark plug	1
4	M16741-18	. Ring, Retaining	1
	M23151-4	. Nozzle Adapter Assembly	1
5	M5976	. . Connector, Male	1
6	M8882	. . Sleeve, Nozzle Seal	1
7	M10659-1	. . Washer, Nozzle Seal	2
8	M10809-1	. . Spring, Nozzle Seal	1
9	M26316	. . Nozzle, Aspirating	1
10	M16791	. . Connector, Male	1
11	M16535	. . Adapter, Nozzle	1
12	M25020	. Body, Burner Head	1