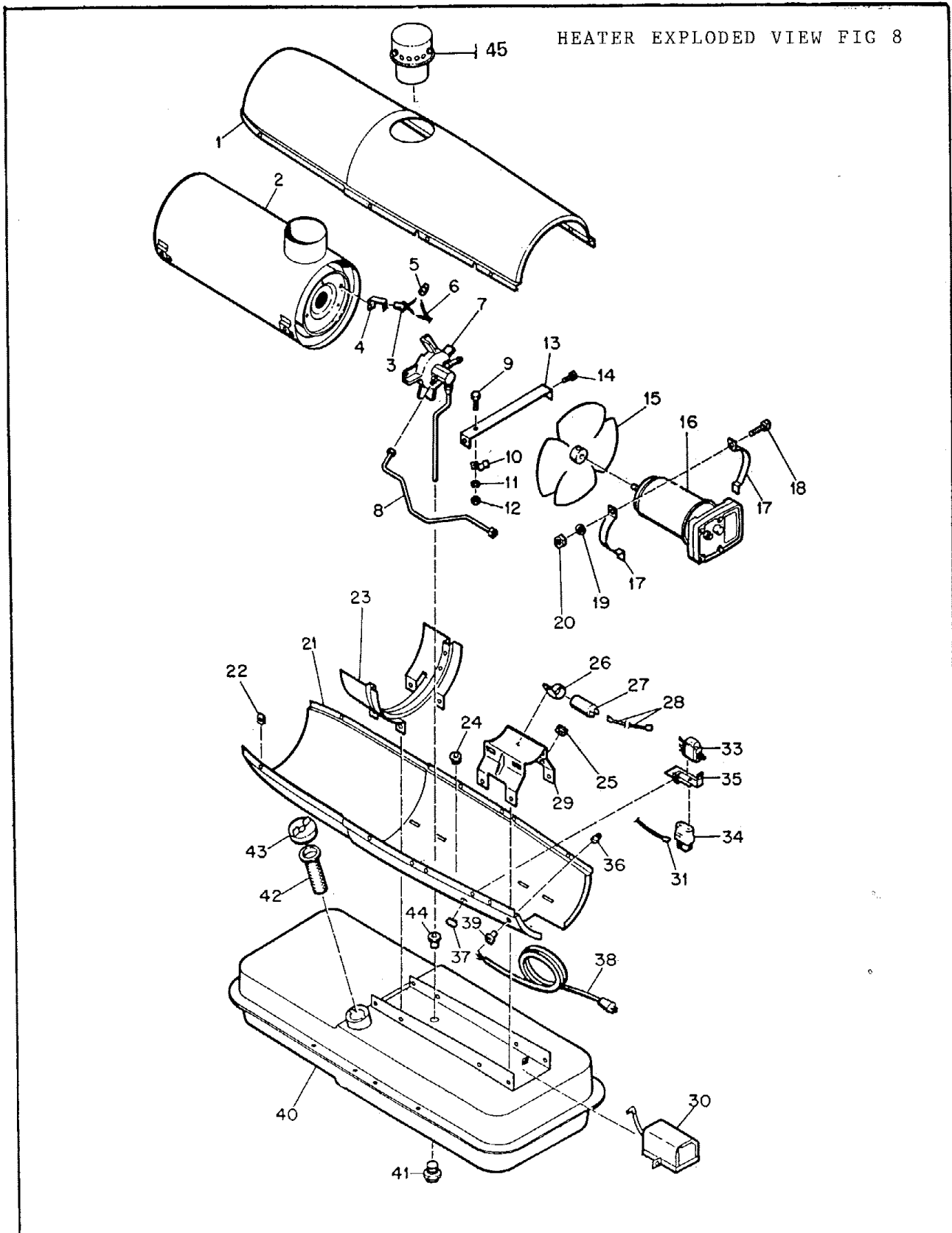


# REDDY HEATER MAV125 SPEC 3133G18 LOW PRESSURE



# KEDDY HEATER MAV125 SPEC 3133G18 LOW PRESSURE

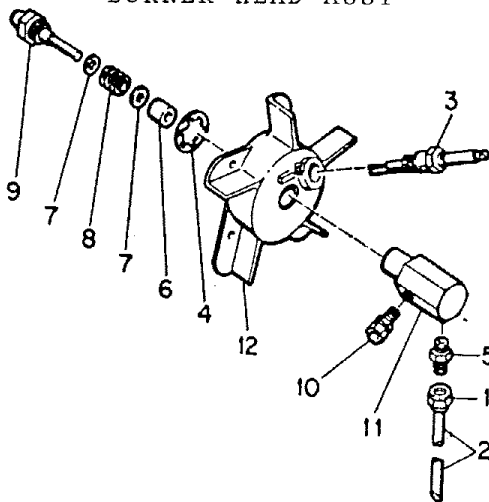
Fig. & HEATER EXPLODED VIEW FIG 8

Fig. & Index No.	Part Number	Part Name	Qty.
1	M23748A	Upper Shell Assembly	1
	M11084-27	Screw, Hex hd., 10-12 x 1/2 in. (AP)	8
2	M23734-1	Combustion Chamber	1
	M11087-27	Screw, Hex hd., 10-12 x 1/2 in. (AP)	4
3	M16656-4	Cell and Bushing Assy	1
4	M16660	Bracket, Photo cell	1
	M10908-1	Screw, Hex hd., 6-32 x 1/4 in. (AP)	2
5	M13942-5	Connector, Wire	2
6	M16615-1	Wiring Harness Assy	1
7	M23150-3	Burner Head Assembly (For details see fig. 15)	1
	M11087-27	Screw, Hex hd., 10-12 x 1/2 in. (AP)	3
8	M23753	Air Line	1
9	M12461-27	Screw, Hex hd., 10-32 x 1/2 in.	1
10	M24717	Clamp, Air Line	1
11	WLM-3	Lockwasher, No. 10	1
13	NPF-3C	Nut, Plain, No. 10-32	1
13	M16871	Strap, Retainer	1
14	M11084-27	Screw, Hex hd., 10-12 x 1/2 in. (AP)	2
15	M17058	Fan, h	1
	SF4-2-1/2K	Setscrew, Socket hd., cup pt. 1/4-28	2
16	M17875-2	Motor Package Assembly	1
17	M16661	Clamp, Motor (AP)	4
18	HC4-10C	Screw, Hex hd., 1/4-20 x 1-1/4 in. (AP)	2
19	WLM-4	Lockwasher, 1/4 in.	2
20	NPC-4C	Nut, Hex, 1/4-20	2
21	M23758A	Shell, Lower	1
22	M11271-6	Nut, Tinnerman	8

Fig. & HEATER EXPLODED VIEW FIG 8

Fig. & Index No.	Part Number	Part Name	Qty.
23	M12828	Bracket, Shell Support	1
	M11084-29	Screw, Hex hd., 10-12 x 3/4 in. (AP)	4
24	1000576	Grommet	2
25	1000577	Grommet	2
26	M12651-1	Clamp, Capacitor	1
	M11084-27	Screw, Hex hd., 10-12 x 1/2 in. (AP)	1
27	M12650-3	Capacitor	1
28	M9900-77	Wire Assembly, Capacitor	1
29	M16645	Bracket, Motor Support	1
	M11084-27	Screw, Hex hd., 10-12 x 1/2 in. (AP)	4
30	M27338	Transformer, 5000 volt	1
	M11084-27	Screw, Hex hd., 10-12 x 1/2 in. (AP)	2
31	M9900-62	Wire Assembly, Relay	1
33	M50416-3	Control Assembly, Safety	1
34	M12462-5	Relay, Starting	1
	RC2-2C	Screw, Rd. hd., 8-32 x 1/4 in. (AP)	2
35	M25296-1	Bracket, Safety Control	1
	M11084-27	Screw, Hex hd., 10-12 x 1/2 in. (AP)	1
36	M13942-7	Connector, Wire	3
37	M15995-2	Plug, Button	1
38	M15779-22	Extension Cord Assy	1
39	M11143-1	Bushing, Strain Relief	1
40	M27547-01A	Fuel Tank Assembly	1
41	M27417	Plug, Drain	1
42	M18053	Screen, Filler Neck	1
43	M23284	Cap, Filler Neck	1
44	M10990-3	Bushing, Rubber	1
45	M50312	Interrupter	1

BURNER HEAD ASSY



1179

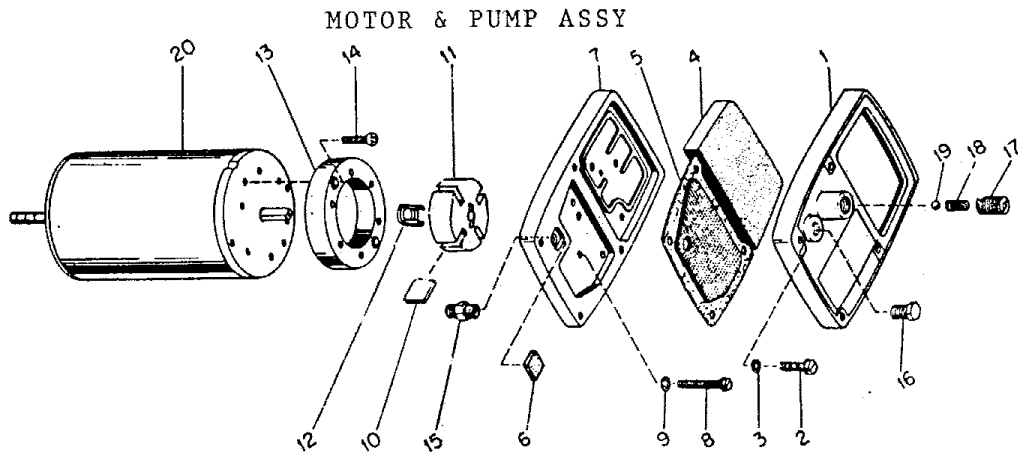
Fig. & BURNER HEAD ASSY

Fig. & Index No.	Part No.	Part Name	Qty. Ref.
	M23150-3	Burner Head Assm.	Ref.
1	M27670-05	Fuel Filter Assm.	1
2	M16741-18	Ring Retainer	1
3	M16791	Connector, Male	1
4	M5976	Connector, Male	1
	M28261	Fitting, Compression	1
	M5787	Nut	1
	M5788	Sleeve	1
5	M8882	Sleeve, Nozzle Seal	1
6	M10659-1	Washer, Nozzle Seal	2
7	M10809-1	Spring Nozzle Seal	1
8	M23103	Nozzle, 0.65 GPH	1
9	M16535	Adapter, Nozzle	1
11	M10962-2	Spark Plug	1
12	M23736	Burner Head Body	1

# REDDY HEATER MAVI25 SPEC 3133G18 LOW PRESSURE

Fig. & Index No.	Part Number	Part Name	Qty.
	M17875-2	Motor Package Assembly	1
1	M16545	End Cover, Filter	1
2	M12461-31	Screw, Hex hd., 10-32 x 1 (AP)	4
3	WLI-3	Lockwasher, Internal No. 10 (AP)	4
4	M12179	Intake Air Filter	1
5	M12244-1	Output Filter Assembly	1
6	M11637	Filter, Lint	1
7	M50545	Front Cover, Pump (Port plate)	1
8	M12461-34	Screw, Hex hd., No. 10-32 x 1-1/2 (AP)	6
9	WLI-3	Lockwasher, Internal No. 10 (AP)	6

Fig. & Index No.	Part Number	Part Name	Qty.
10	M8643-3	Blade, Pump	4
11	M22456-3	Rotor, Pump	1
12	M22009	Insert, Rotor	1
13	M8645-3	Pump Body	1
14	FHPF3-7C	Screw (Pump Body to Motor)	2
15	M5976	Connector, Male	1
16	M22997	Plug	1
17	M27694	Screw, Pressure Adjustment	1
18	M10993-1	Spring, Compression (Pressure Relief)	1
19	M8940	Ball, 1/4 in. dia.	1
20	M17814-2	Motor	1



HANDLES AND WHEELS			
1	M15813-3	Handle, Front and Rear	2
2	M12831-3	Frame, Wheel Support	1
3	M12345-33	Screw, Oval hd., 10-24x1 1/4 inch	8
4	NTC-3C	Nut, Torque Lock No. 10-24	8
5	M28526	Nut, Cap	2
6	M19295	Wheel	2
7	M16801-2A	Axle	1

