

REDDY HEATER MAV 60 SPEC 3210G23 LOW PRESSURE M29870-96

Index No.	Part Number	Part Name	Qty.
1	M26589D	Shell, Upper	1
	M11084-26	Screw, Hex hd., 10-12 x 3/8 in. (AP)	6
	M11271-6	Nut, Tinnerman	6
2	M26548-1	Combustion Chamber Assy.	1
	M11084-26	Screw, Hex hd., 10-12 x 3/8 in. (AP)	4
3	M27367-4	Burner Body Assembly	1
	M11084-26	Screw, Hex hd., 10-12 x 3/8 in. (AP)	3
4	M16656-4	Photo Cell and Bushing Assembly	1
6	M16789-8	Assm. Fuel Filter	1
7	M13849	Nut, Flared	1
8	M26317	Fan	1
	SF4-2½K	Set screw, Socket hd., cup pt. ¼-28 x 5/16	2
9	M31306-02	Motor Package Assembly	1
10	NPC-4C	Nut, Plain, Hex, ¼-20	2
11	WLM-4	Lockwasher, ¼ in.	2
12	HC4-10C	Screw, Hex hd., ¼-20 x 1¼ in. (AP)	2
13	M16661	Clamp, Motor	4
14	M31305	Air Line	1
15	M25059	Bracket, Support	1
	M11084-27	Screw, Hex hd., 10-12 x ½ in.	4
16	1000576	Grommet	4
17	1000577	Grommet	1
18	M25645-2	Strap, Retainer	1
	M11084-26	Screw, Hex hd., 10-12 x 3/8 in.	2
19	M50416-03	Safety Control Assembly	1
20	M16841-16	Wire Assembly, Red	1
21	M9900-62	Wire Assembly, Black	1
22	M25061-2	Relay, Motor Start	1
	RC2-2.5C	Screw, Rd. hd., 8-32 x 5/16 in.	1
	WLI-2	Lockwasher, No. 8	1
23	M25035	Bracket, Motor start relay	1
	M11084-26	Screw, Hex hd., 10-12 x 3/8 in. (AP)	2
24	M13942-7	Connector, Wire	3
25	M23284	Cap, Filler Neck	1
26	M18053	Screen, Filler Neck	1
28	M25024-2	Transformer, 5000 volt	1
	M11084-27	Screw, Hex hd., 10-12 x ½ in.	2
29	M30833-02	Bushing, Strain Relief	1
30	M15779-22	Extension Cord Assy.	1
31	M15779-22	Extension Cord Assy.	1
31	M26208-2A	Shell Assembly, Lower	1
32	M27417	Plug, Drain	1
33	M27553-04C	Fuel Tank Assembly	1
34	M10990-3	Bushing	1
35	M27485-1	Interrupter	1
36	M50141	Guard, Fan (not shown)	1

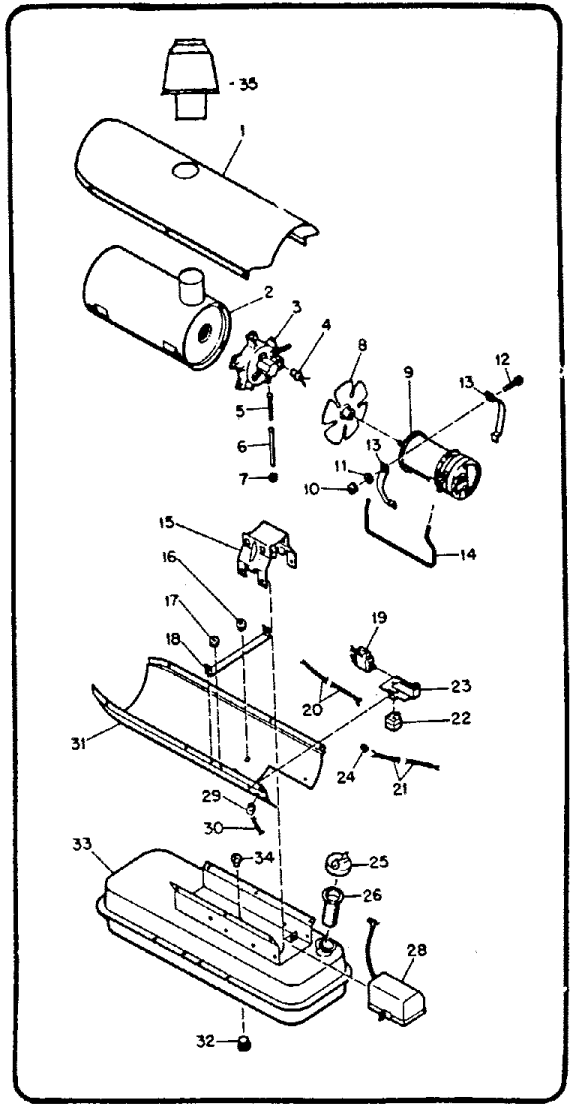
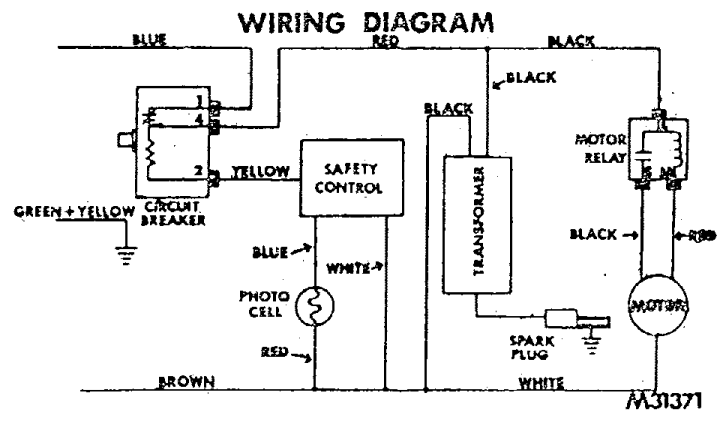


Figure 13. Exploded View Heater Assembly



M31371

REDDY HEATER MAV60 SPEC 3210G23

LOW PRESSURE

M29870-96

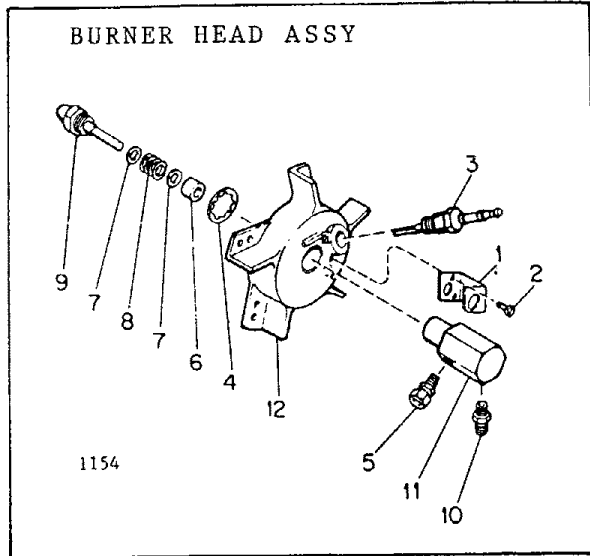


Figure 14. Burner Head Assembly

Index No.	Part Number	BURNER HEAD ASSY Part Name	Qty.
14-	M27367-4	Burner Head Assembly	Ref.
1	M16660	Bracket, Photo Cell	1
2	*M10908-½	. Screw, Hex hd., Self-tapping, No. 6-32 x 3/8	2
3	M10962-2	. Spark Plug	1
4	M16741-18	. Ring, Retaining	1
	M23151-7	. Nozzle Adapter Assy.	1
5	M5976	. . Connector, Male	1
6	M8882	. . Sleeve, Nozzle Seal	1
7	M10659-1	. . Washer, Nozzle Seal	2
8	M10809-1	. . Spring, Nozzle Seal	1
9	M27014	. . Nozzle, Aspirating	1
10	M16791	. . Connector, Male	1
11	M16535	. . Adapter, Nozzle	1
12	M26732	. Body, Burner Head	1

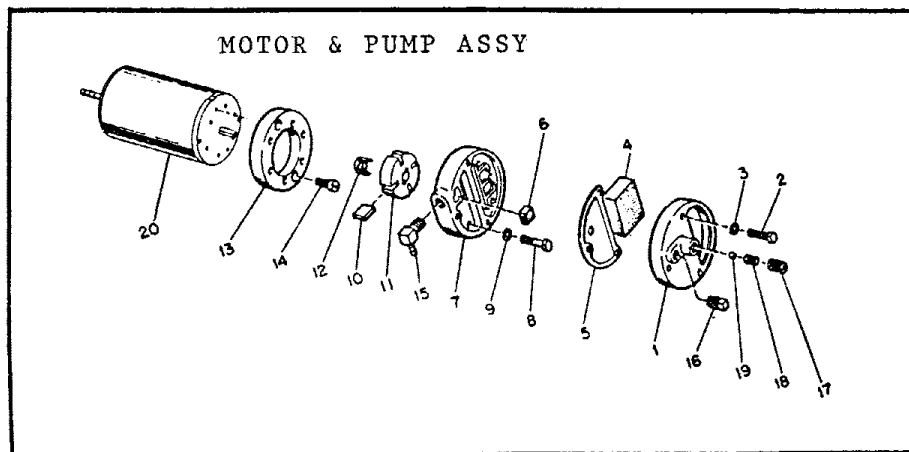


Figure 15. Motor and Pump Assembly

Index No.	Part Number	MOTOR & PUMP ASSY Part Name	Qty.
	M31306-02	Motor Package Assembly	Ref.
1	M29609	. End Cover, Filter	1
2	M12461-31	. Screw, Hex hd., No. 10-32 x 1 (AP)	3
4	M29633	. Intake Air Filter	1
5	M29612-01	. Output Filter Assy.	1
6	M29632	. Filter, Lint	1
7	M29608	. Front Cover, Pump (Port Plate)	1
8	*M12461-32	. Screw, Hex hd., No. 10-32 x 1-1/8 (AP)	6
10	M8643	. Blade, Pump	4

Index No.	Part Number	MOTOR & PUMP ASSY Part Name	Qty.
11	M22456-1	. Rotor Pump	1
12	M22009	. Insert, Rotor	1
13	M8645	. Pump Body	1
14	*FHFP3-4C	. Screw (Pump Body to Motor), No. 10-32 x ½	2
15	69248	. Elbow, 90o	1
16	M22997	. Plug	1
17	M27694	. Screw, Pressure Adjustment	1
18	M10993-1	. Spring, Compression (Pressure Relief)	1
19	M8940	. Ball, ¼ in. dia.	1
20	M25022-2	. Motor	1