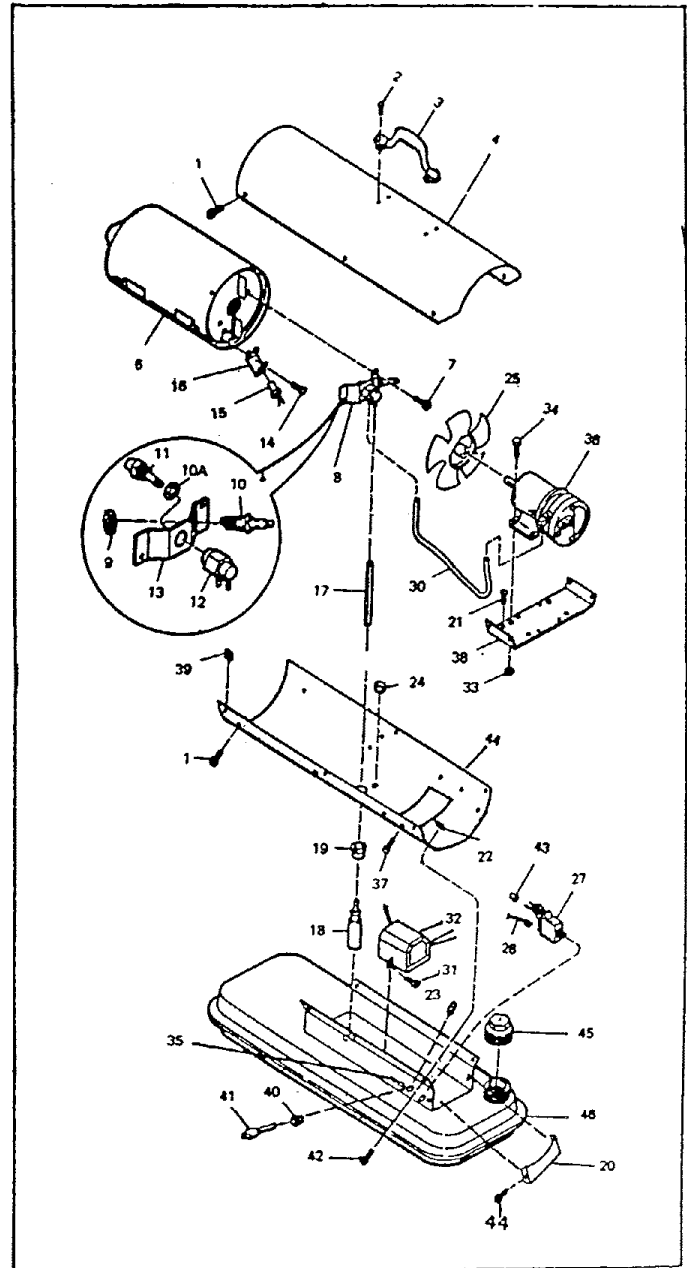


# REDDY HEATER M30 LOW PRESSURE

# SPEC 5000G05 M50092-01

| Index No. | Part Number | Part Name                                | Qty. |
|-----------|-------------|--|------|
| 1         | M11084-26   | Screw, Hex Hd., 10-12× $\frac{3}{8}$ in. | 15   |
|           | M30725-04   | Upper Shell Assembly                     | 1    |
| 2         | M17539-9    | .Rivet                                   | 4    |
| 3         | M28153      | .Handle                                  | 1    |
| 4         | M30724-AC   | .Shell                                   | 1    |
| 6         | M29634-01   | Chamber Assembly, Combustion             | 1    |
| 7         | M11084-26   | Screw, Hex Hd., 10-12× $\frac{3}{8}$ in. | 2    |
| 8         | M29707-01   | Burner Head Assembly                     | 1    |
| 9         | M29824      | .Nut, Special                            | 1    |
| 10        | M29835      | .Spark Plug                              | 1    |
| 10A       | M16741-18   | .Ring, Retainer                          | 1    |
|           | M29705-01   | Nozzle Adapter Assembly                  | 1    |
| 11        | M29681      | ..Nozzle, Siphon                         | 1    |
| 12        | M29805      | ..Adapter, Nozzle                        | 1    |
| 13        | M29615-01   | ..Bracket Assembly, Nozzle Adapter       | 1    |
| 14        | M10908-1    | Screw, Hex Hd., 6-32 × $\frac{1}{4}$ in. | 2    |
| 15        | M16656-3    | Photocell and Bushing Assy.              | 1    |
| 16        | M16660      | Bracket, Photocell                       | 1    |
| 17        | M29652-02   | Tubing, Fuel                             | 1    |
| 18        | M29814-01   | Filter Assembly, Fuel                    | 1    |
| 19        | M10990-3    | Bushing, Rubber                          | 1    |
| 20        | M30726AA    | Bracket, End Cover                       | 1    |
| 21        | M11084-26   | Screw                                    | 1    |
| 22        | M12250-2    | Nut, Tinnerman                           | 1    |
| 23        | M13942-7    | Connector, Wire                          | 2    |
| 24        | 1000576     | Grommet                                  | 1    |
| 25        | M29678      | Fan                                      | 1    |
| 26        | M16841-16   | Wire Assembly                            | 1    |
| 27        | M50671-03   | Safety Control Assembly                  | 1    |
| 30        | M29652-1    | Tubing, Airline                          | 1    |
| 31        | M11084-26   | Screw, Hex Hd., 10-12 × $\frac{3}{8}$    | 2    |
| 32        | M16697-02   | Transformer Assembly                     | 1    |
| 33        | MTC-3C      | Nut                                      | 4    |
| 34        | M12461-50   | Screw, 10-24 × $\frac{3}{8}$             | 4    |
| 35        | M29800      | Decal, Reset                             | 1    |
| 36        | M29750-01   | Motor Package Assembly<br>(See Figure 2) | 1    |
| 37        | M11084-26   | Screw 10-12 × $\frac{3}{8}$              | 4    |
| 38        | M29616      | Motor Mounting Bracket                   | 1    |
| 39        | M11271-6    | Nut, Tinnerman                           | 6    |
| 40        | M11143-1    | Bushing, Strain Relief                   | 1    |
| 41        | M10813-74   | Extension Cord Assembly                  | 1    |
| 42        | M11084-26   | Screw 10-12 × $\frac{3}{8}$              | 4    |
| 43        | M13942-5    | Connector Wire                           | 1    |
| 44        | M30727-AC   | Shell, Lower                             | 1    |
| 45        | M30715-01   | Cap, Fuel                                | 1    |
| 46        | M30723-01   | Tank Assembly, Fuel                      | 1    |



# REDDY HEATER M30 SPEC 5000G05 LOW PRESSURE M50092-01

| Index No. | Part Number | Part Name                                    | Qty. |
|-----------|-------------|--|------|
| -         | M29750-01   | Motor Package Assembly                       | 1    |
| 1         | M29609      | . End Cover, Filter                          | 1    |
| 2         | M12461-31   | . Screw (Filter End Cover to Pump End Cover) | 3    |
| 3         | WLI-3       | . Lockwasher, Internal No. 10                | 3    |
| 4         | M29633      | . Intake Air Filter                          | 1    |
| 5         | M29612-01   | . Output Filter Assembly                     | 1    |
| 6         | M29632      | . Filter, Lint                               | 1    |
| 7         | M29608      | . End Cover, Pump (Port Plate)               | 1    |
| 8         | M12461-31   | . Screw (End Cover to Motor)                 | 6    |
| 9         | WLI-3       | . Lockwasher, Internal No. 10                | 6    |
| 10        | M8643       | . Blade                                      | 4    |

| Index No. | Part Number | Part Name                               | Qty. |
|-----------|-------------|---|------|
| 11        | M22456-1    | . Rotor, Pump                           | 1    |
| 12        | M22009      | . Insert, Rotor                         | 1    |
| 13        | M8645       | . Pump Body                             | 1    |
| 14        | FHPF3-4C    | . Screw (Pump Body to Motor)            | 2    |
| 15        | M50016      | . Elbow                                 | 1    |
| 16        | M22997      | . Plug, Socket Hd.                      | 1    |
| 17        | M27694      | . Screw, Pressure Adjustment            | 1    |
| 18        | M10993-1    | . Spring, Compression (Pressure Relief) | 1    |
| 19        | M8940       | . Ball, 1/4 in. dia.                    | 1    |
| 20        | M29780-01   | . Motor                                 | 1    |

