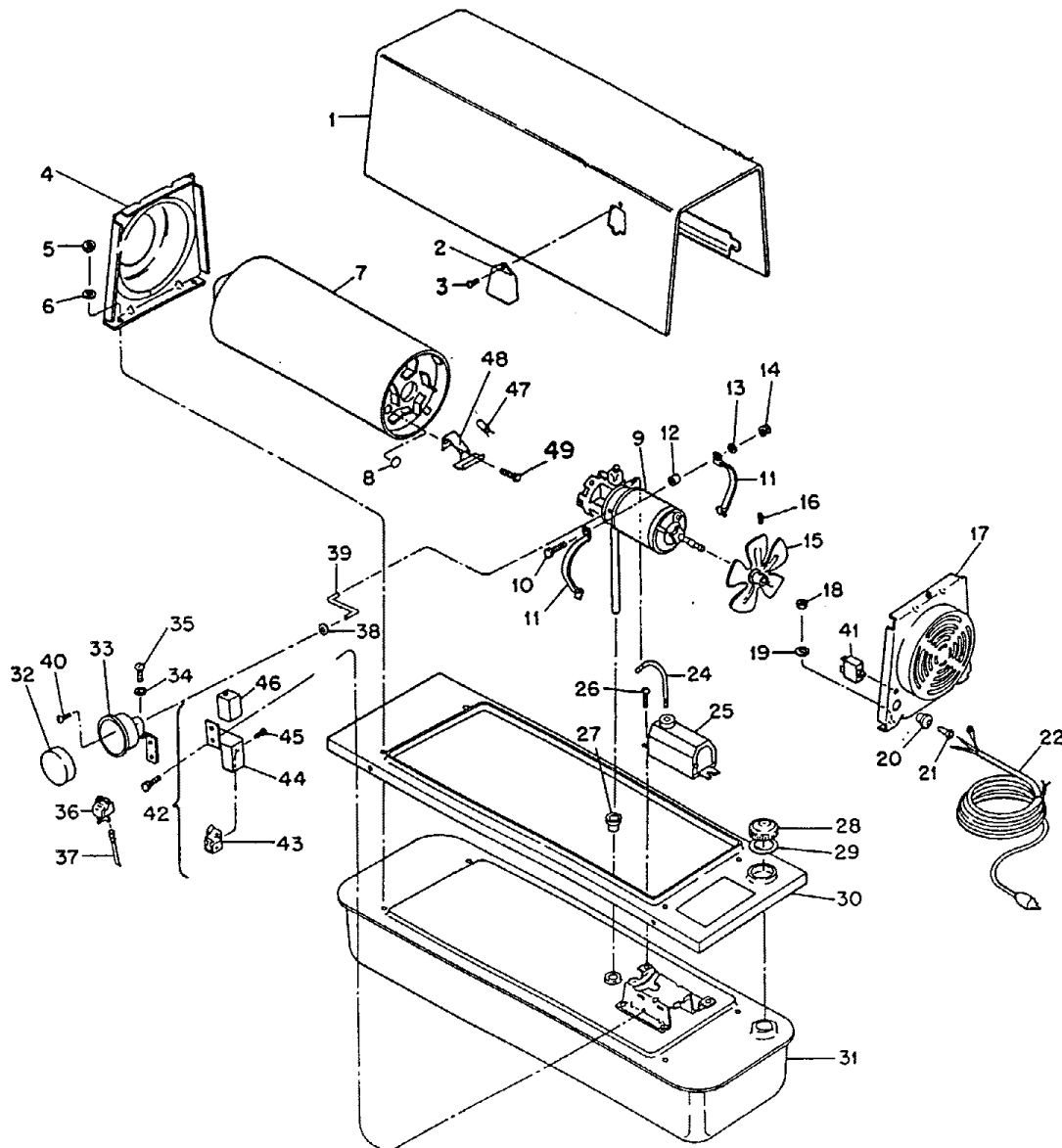


REDDY HEATER M-50 AND M-50D  
LOW PRESSURE SPEC 2992G1-1  
SPEC 2992G7  
SPEC 3061G14  
FORM 2687 (10/70)

HEATER EXPLODED VIEW FIGURE 8



KEDDY HEATER  
 LOW PRESSURE  
 FORM 2687  
 (10/70)

M-50 AND M-50 J  
 SPEC 2992G1-1  
 SPEC 2992G7  
 SPEC 3061G14

Index No.	Part Number	Part Name or Description			
1	M12436G1	Housing Heater	1	1	-
	M21815C	Housing, Heater	-	-	1
	*M11084-27	Screw, Self-tapping, Hex hd No. 10-12 x 1/2 in., Type "A"	-	-	6
2	M11271-6	Nut, Tinnerman	-	-	6
	M12568	Cover, Filter	1	1	-
	M21816-1C	Cover Assy	-	-	1
	M21817	Gasket	-	-	1
3	*M10908-2	Screw, Hex hd, slotted No. 6-32 x 3/8 in., Type "S"	1	1	1
	M15767G1C	End Cap and Nose Cone	1	1	1
4	*NPC-4C	Nut, Plain hex, 1/4-20	2	2	2
5	*WLI-4C	Lockwasher, Internal tooth, 1/4 in.	2	2	2
6	M15770G2	Combustion Chamber	1	1	1
7	M15995	Plug, Button	1	-	-
8	Ref	Motor Pump and Burner Head Assembly (See Figure 15)	1	1	1
9	*HC4-10C	Screw, Rd hd, 1/4-20 x 1-1/4 in.	2	2	1
10	M16661	Clamp, Motor Not Used	4	4	2
11	*WLM-4C	Lockwasher, 1/4 in.	2	2	1
12	*NPC-4C	Nut, Plain hex, 1/4-20	2	2	1
13	**M12431	Fan, 20° Pitch	1	1	1
14	SFK4-2	Setscrew, Soc hd, cup pt, 1/4-28 x 1/4 in.	2	2	2
15	M12427G1C	Fan Guard Assy	1	1	1
16	*NPC-4C	Nut, Plain, Hex 1/4-20	2	2	2
17	*WLI-4C	Lockwasher, Internal tooth, 1/4 in.	2	2	2
18	M11143-1	Bushing, Strain relief	1	1	1
19	M13942-4	Connector (Wire Nut)	-	2	2
20	M10813G37	Cord, Service (Extension)	1	1	1
21	M10813G38	Cord Service (Extension)	-	1	1
22	-	Not Used	-	-	-
23	-	Not Used	-	-	-

24	M10816G15	Lead, Electrode (Not used with transformer No. M13277-1)	1	1	1
25	M15063	Transformer	1	1	1
26	*M15823-26	Screw, Hex hd No. 10-12 x 3/8 in., Type "B"	1	1	1
27	M10990-3	Bushing, Rubber	1	1	1
28	M11151-1	Cap, Fuel tank filler	1	1	1
29	M14246	Seal, Rubber	1	1	-
30	M12424C	Skirt, Fuel tank	1	1	1
31	M10716G1B	Fuel Tank Assy	1	1	1
32	**M11146-1	Element, Intake air filter	1	1	-
33	M17018G1	Filter Body and Bracket Assy	1	1	-
-	M17019	Bracket, Filter	-	-	1
34	WLI-2C	Lockwasher, No. 8	2	2	2
35	*RC-2C	Screw, Rd hd., No. 8-32 x 1/4 in.	1	1	1
-	*RC2-3C	Screw, Rd hd., No. 8-32 x 3/8 in. (For ground wire)	1	1	1
36	M12462-5	Relay, Motor starting	1	1	1
37	M9900G37	Wire Assy (to Relay)	1	1	1
38	M13293	Grommet, Rubber	1	1	-
39	M12432	Tube, Air intake	1	1	-
40	*M11084-27	Screw, Self-tapping, Hex hd No. 10-12 x 1/2 in., Type "A"	2	2	2
41	M14360	Circuit Breaker	-	1	1
42	M14379G2	Relay and Bracket Assy	-	1	1
43	M14378G3	Relay Assy, Control	-	1	-
44	M14370	Bracket, Relay	-	1	1
45	M12461-2	Screw, Hex hd No. 6-32 x 3/8 (Relay Mtg.)	-	1	1
46	M14983	Dust Cover, Relay	-	1	1
47	M16656G1	Photocell and Bushing Assy	-	1	1
48	M16660	Bracket, Photocell	-	1	1
49	*M10908-1	Screw, Self-tapping, hex hd No. 6-32 x 1/4 in., Type "S"	1	1	1
	M9900G36	Wire Assy, Red	-	1	1
	M13942-2	Connector, Wire	-	1	1

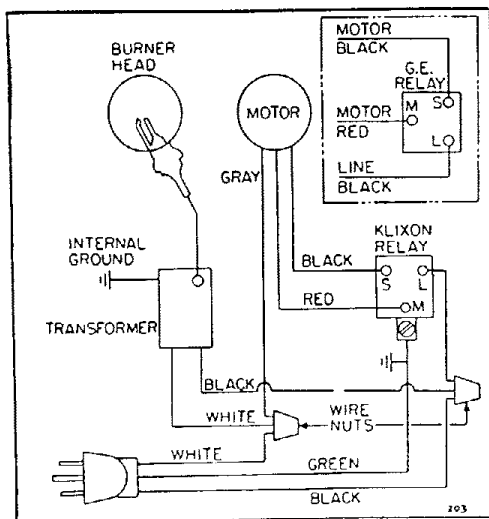


Figure 9. Wiring Diagram for Standard Heaters  
 (See Figure 13 for Deluxe Heater Wiring Diagram.)

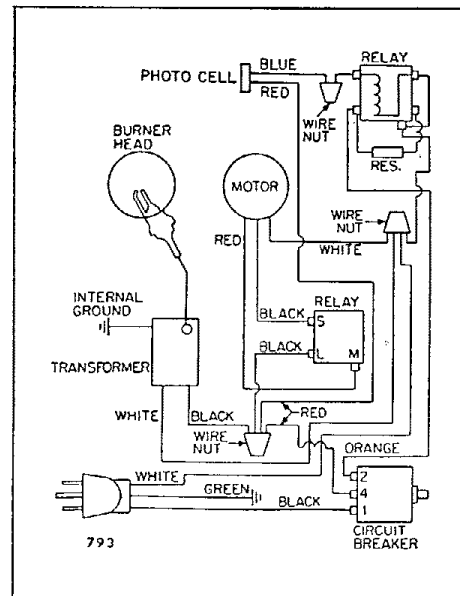
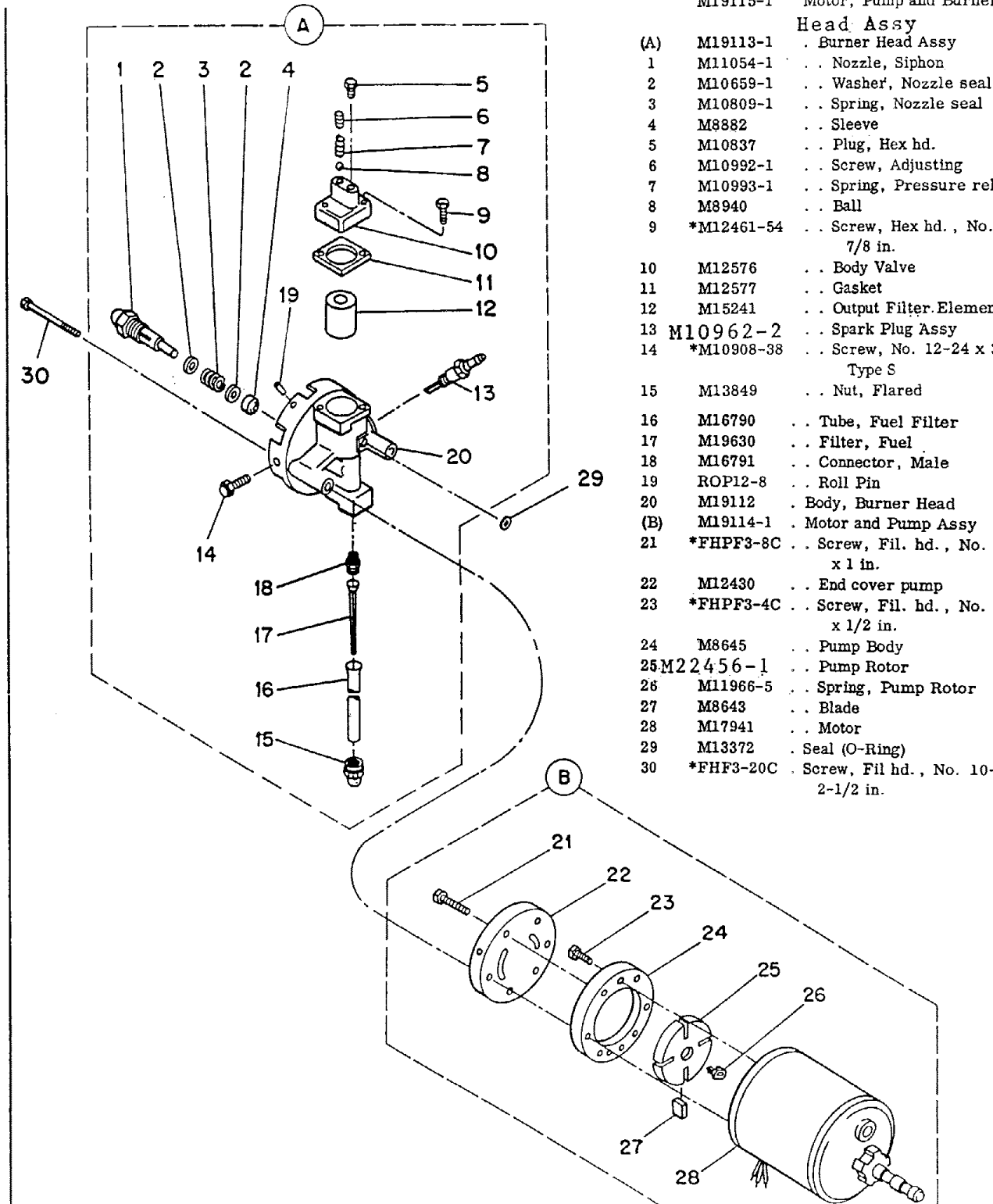


Figure 13. Wiring Diagram for Deluxe Heaters

KEDDY HEATER M-50 AND M-50.D  
 LOW PRESSURE SPEC 2992G1-1  
 Form 2687 SPEC 2992G7  
 (10/70) SPEC 3061G14

MOTOR, PUMP & BURNER HEAD ASSY



Index No.	Part Number	Part Name	Quan.
	M19115-1	Motor, Pump and Burner Head Assy	1
(A)	M19113-1	Burner Head Assy	1
1	M11054-1	Nozzle, Siphon	1
2	M10659-1	Washer, Nozzle seal	2
3	M10809-1	Spring, Nozzle seal	1
4	M8882	Sleeve	1
5	M10837	Plug, Hex hd.	1
6	M10992-1	Screw, Adjusting	1
7	M10993-1	Spring, Pressure relief	1
8	M8940	Ball	1
9	*M12461-54	Screw, Hex hd., No. 10-24 x 7/8 in.	2
10	M12576	Body Valve	1
11	M12577	Gasket	1
12	M15241	Output Filter Element	1
13	M10962-2	Spark Plug Assy	1
14	*M10908-38	Screw, No. 12-24 x 3/8 in., Type S	1
15	M13849	Nut, Flared	1
16	M16790	Tube, Fuel Filter	1
17	M19630	Filter, Fuel	1
18	M16791	Connector, Male	1
19	ROP12-8	Roll Pin	4
20	M19112	Body, Burner Head	1
(B)	M19114-1	Motor and Pump Assy	1
21	*FHPF3-8C	Screw, Fil. hd., No. 10-32 x 1 in.	4
22	M12430	End cover pump	1
23	*FHPF3-4C	Screw, Fil. hd., No. 10-32 x 1/2 in.	2
24	M8645	Pump Body	1
25	M22456-1	Pump Rotor	1
26	M11966-5	Spring, Pump Rotor	1
27	M8643	Blade	1
28	M17941	Motor	1
29	M13372	Seal (O-Ring)	1
30	*FHF3-20C	Screw, Fil hd., No. 10-32 x 2-1/2 in.	2