

REDDY HEATER M350 SPEC. NO. 5043 G05 HIGH PRESSURE

M29870-112

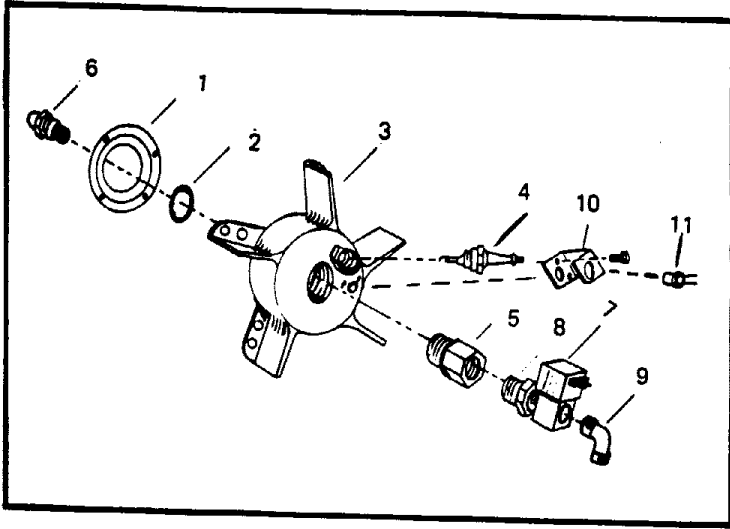
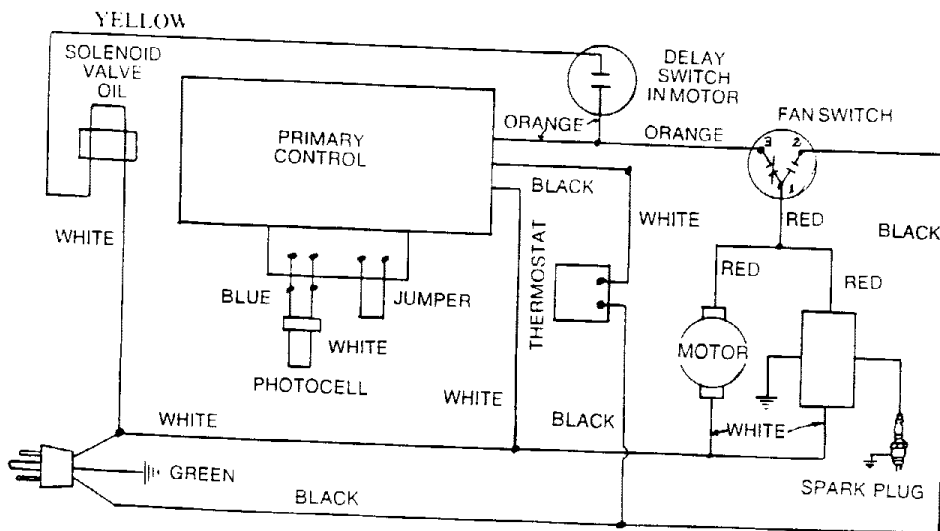


Figure 7. Burner Head Assembly

| Item Number | Part Number | Description | Qty. |
|-------------|-------------|---------------------------------|------|
| Fig. 7 | M50084-07 | Assembly Burner Head | 1 |
| 1 | M50396 | . Orifice, Burner Head | 1 |
| | M11523-1 | . . . Screw, No. 6-20 x 1/4 | 5 |
| | | Attaches Orifice to Burner Head | |
| 2 | M16741-18 | Retaining Ring | 1 |
| 3 | M16534-02 | . Burner Head | 1 |
| 4 | M10962-2 | . Spark Plug | 1 |
| | M50080-01 | . Assemble Adapter Nozzle | 1 |
| 5 | M50081 | . . Adapter Nozzle | 1 |
| 6 | M50112 | . . Nozzle | 1 |
| | M50390-01 | . Assembly Solenoid Valve | 1 |
| 7 | M50077 | . . Valve Solenoid | 1 |
| 8 | 69246 | . . Nipple Straight | 1 |
| 9 | M50297 | . . Compression Elbow | 1 |
| | M50298 | . . . Nut | 1 |
| | M50299 | . . . Sleeve | 1 |
| | M50315 | . . Elbow 90° | 1 |
| 10 | M50342-02 | . Photo Cell Bracket | 1 |
| 11 | M16656-4 | . Photo Cell | 1 |



REDDY HEATER M350 HIGH PRESSURE

SPEC. NO. 5043 G05 M29870-112

| Index No. | Part Number | Part Name | Qty. |
|---------------------------|-------------|---------------------------------------|------|
| FIGURE 5. HEATER ASSEMBLY | | | |
| 1 | M50060AC | Upper Shell | 1 |
| 2 | M11084-26 | Screw No. 10-12 x 3/8 | 10 |
| 3 | M50089 | Wiring Diagram Decal | 1 |
| 4 | M50097-01AA | Guard, Fan | 1 |
| 5 | M50542-01 | Combustion Chamber and Heat Deflector | 1 |
| 6 | M50086 | Air Deflector | 5 |
| 7 | M50104-03 | Bushing | 7 |
| 8 | M50084-07 | Assem. Burner head | 1 |
| 9 | M50121 | Fan | 1 |
| 10 | M22082 | Control Safety | 1 |
| 11 | M31301-02 | Fan Switch | 1 |
| 13 | M50104-02 | Bushing, Short | 1 |
| 14 | M16656-4 | Photo cell and bushing assembly | 1 |
| 15 | M50285 | Fuel line | 1 |
| 16 | M50391-01 | Wire harness assembly | 1 |
| 17 | M13942-7 | Wire connector | 2 |
| 18 | M50079-04 | Motor & pump assembly | N/A |
| | | Ref. Figure | |
| 19 | M10813-33 | Extension Cord Assembly | 1 |
| 20 | M50050 | Boot ignition | 1 |

| Index No. | Part Number | Part Name | Qty. |
|---------------------------|-------------|-----------------------------|------|
| FIGURE 5. HEATER ASSEMBLY | | | |
| 21 | M50570-02 | Transformer and bracket | 1 |
| 22 | M50061AC | Lower Shell | 1 |
| 23 | M11271-6 | Nut, Tinnerman | 10 |
| 24 | M50062-03 | Handle, Front | 1 |
| 25 | HC4-12C | Screw 1/4-20 x 1 1/2 | 4 |
| 26 | HC4-18C | Screw 1/4-20 x 2 1/4 | 6 |
| 27 | M50062 | Rear handle (Frame Support) | 1 |
| 28 | M50550-01 | Fuel ine- return | 1 |
| 29 | M50996-01 | Fuel line-input | 1 |
| 30 | M50262-01 | Screen & bushing assembly | 1 |
| 31 | M50071-01AA | Fuel Tank Assembly | 1 |
| 32 | M23284 | Fuel cap | 1 |
| 33 | NTC-4C | Nut 1/4-20 | 10 |
| 34 | M25297-14 | Thermostat Assembly | 1 |
| 35 | M27417 | Drain Plug | 1 |
| 36 | M50063 | Frame, Wheel Support | 1 |
| 37 | WP-10C | Washer, Flat 5/8 | 4 |
| 38 | M50389 | Wheel | 2 |
| 39 | C5-10C | Pin, Cotter 5/32x1.1/4 | 2 |
| 40 | M18774A | Axle | 1 |

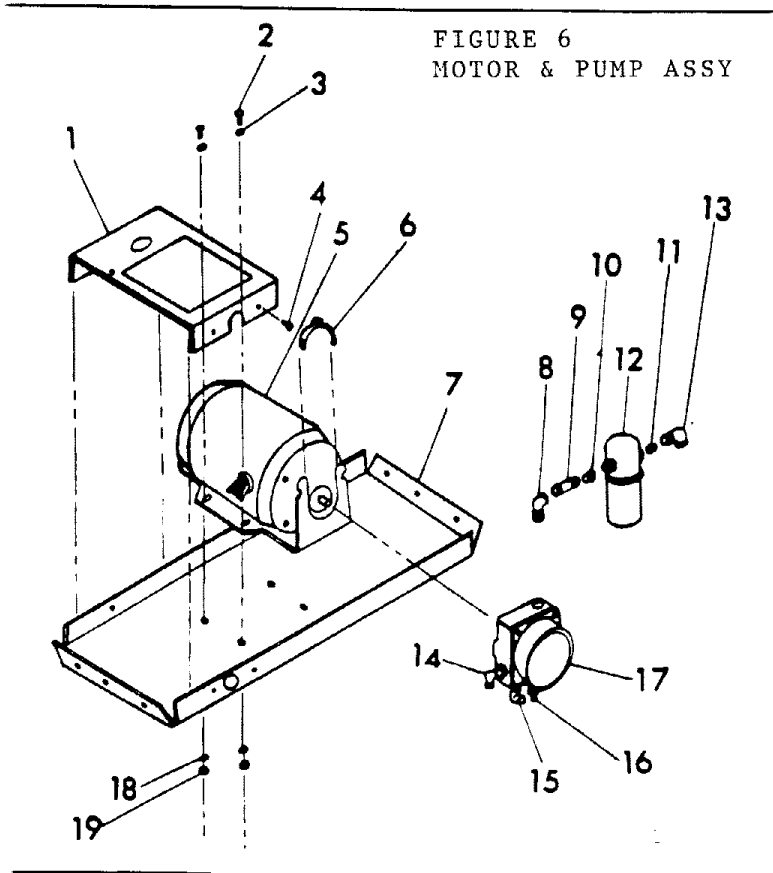


FIGURE 6
MOTOR & PUMP ASSY

| Index No. | Part Number | FIGURE 6 MOTOR & PUMP Description | Qty. |
|-----------|-------------|-----------------------------------|------|
| | M50079-04 | Assembly Motor & Pump | N/A |
| 1 | M50082AA | Cover, Wiring | 1 |
| 2 | HF5-5C | Screw, 5/16-24 | 4 |
| 3 | WLE-5 | Washer, Lock 5/16 | 4 |
| 4 | M11084-26 | Screw no. 10-12 x 3/8 | 3 |
| 5 | M50064-01 | Motor | 1 |
| 6 | M50116 | Clamp Flanged | 1 |
| 7 | M50083AA | Support, Motor | 1 |
| 8 | 57413 | Elbow Street | 1 |
| 9 | M50393 | Nipple, long | 1 |
| 10 | M20137 | Bushing, Pipe | 1 |
| 11 | M20137 | Bushing, pipe | 1 |
| 12 | M50398 | Filter Assembly | 1 |
| | M50399 | . Element Filter (Cartridge) | 1 |
| 13 | M50114-02 | Elbow, Male 90° 1/4 to 1/4 | 1 |
| 14 | M50297 | Elbow, Compression | 1 |
| 15 | 57413 | Elbow street | 1 |
| 16 | M50113-02 | Fitting straight 1/4 to 1/4 | 1 |
| 17 | M50065 | Pump, Fuel | 1 |
| 18 | WLM-5 | Washer Lock 5/16 | 4 |
| 19 | NPF-5C | Nut, Hex 5/16-24 | 4 |

REDDY HEATER M350 SPEC. NO. 5043G05 HIGH PRESSURE

M29870-112

FIGURE 5. HEATER ASSEMBLY

