

REDDY HEATER R350 HIGH PRESSURE

097540-01 REV. B 7A

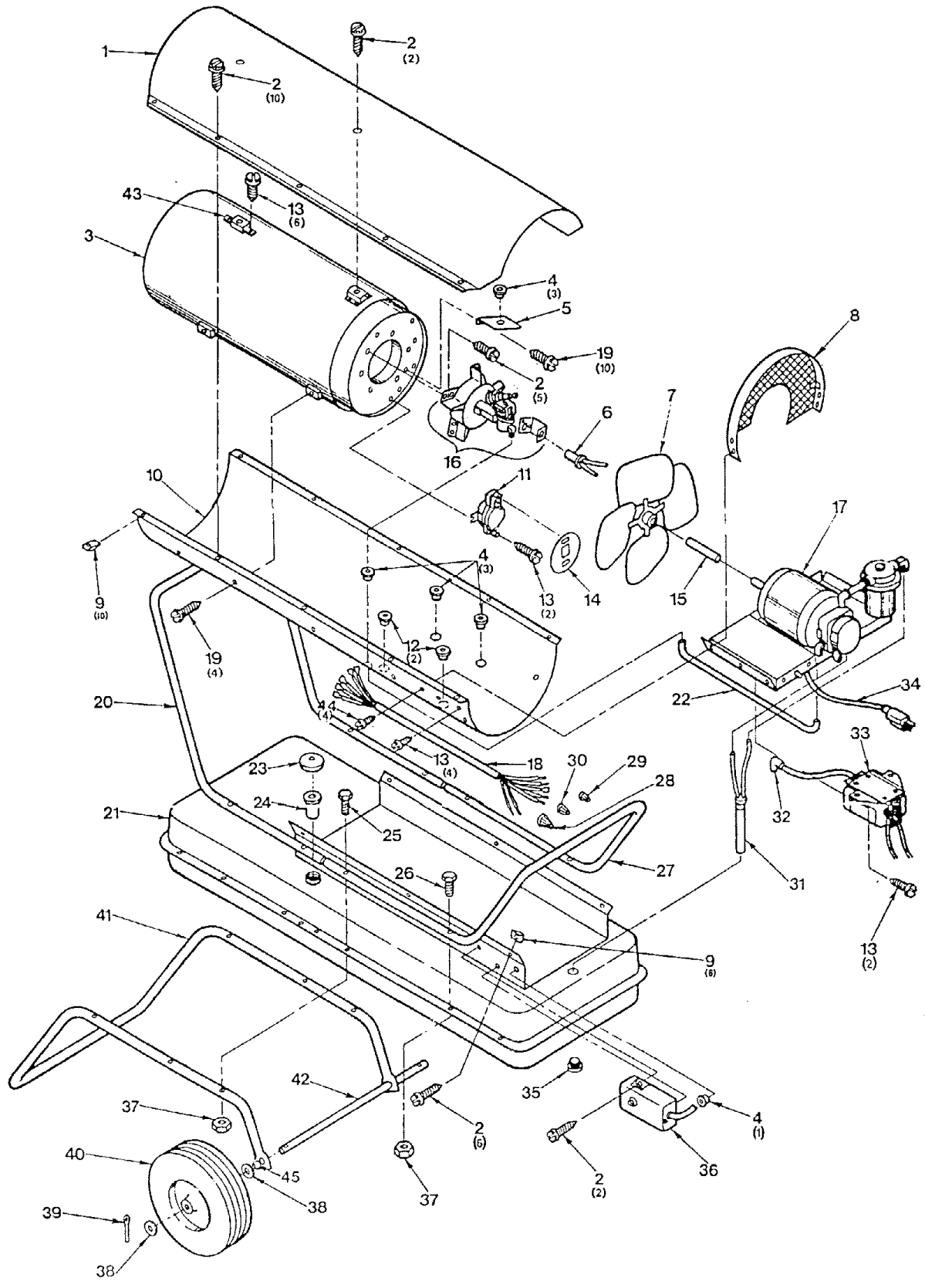
PARTS - R350

| REF. NO. | PART NO. | DESCRIPTION | QTY. |
|----------|-------------|---|------|
| 1 | M50060AC | Upper shell | 1 |
| 2 | M11084-27 | Screw, #10-16 x 1/2" | 25 |
| 3 | M50542-01 | Combustion chamber & shield | 1 |
| 4 | M30865-02 | Bushing | 7 |
| 5 | M50086 | Air deflector | 5 |
| 6 | M16656-4 | Photocell assembly | 1 |
| 7 | M50121 | Fan | 1 |
| 8 | M50097-01AA | Fan Guard | 1 |
| 9 | M11271-6 | Clip nut | 16 |
| 10 | M50061AC | Lower shell | 1 |
| 11 | M51336-02 | Fan switch | 1 |
| 12 | M50104-02 | Bushing | 2 |
| 13 | M11084-26 | Screw, #10-16 x 3/8" | 14 |
| 14 | M51160-01 | Fan switch cover | 1 |
| 15 | M50278 | Sleeve | 1 |
| 16 | † | Burner head assembly (see page 9 for details) | 1 |
| 17 | † | Motor & pump assembly (see page 9 for details) | 1 |
| 18 | 097494-01 | Wire harness | 1 |
| 19 | M11084-3 | Screw, #12 -14 x 1/2" | 14 |
| 20 | M50062-03 | Front handle | 1 |
| 21 | 079666-19 | Fuel tank | 1 |
| 22 | M50295 | Fuel line | 1 |
| 23 | 097702-01 | Fuel cap | 1 |
| 24 | M18053 | Filler neck screen | 1 |
| 25 | HC4-18C | Screw, #1/4-20 x 2 1/4" | 6 |
| 26 | M51043-01 | Screw, #1/4-20 x 1 1/2" | 2 |
| 27 | M50062 | Rear handle | 1 |
| 28 | * | Wire connector (large) | 1 |
| 29 | * | Wire connector (small) | 2 |
| 30 | * | Wire connector (medium) | 4 |
| 31 | M50115-01 | Fuel line assembly | 1 |
| 32 | M50050 | Ignition boot | 1 |
| 33 | M50570-02 | Transformer, 5000 volt | 1 |
| 34 | M10813-33 | Power cord | 1 |
| 35 | M27417 | Drain plug | 1 |
| 36 | 097513-01 | Thermostat | 1 |
| 37 | NTC-4C | Nut, Hex lock, 1/4-20 | 8 |
| 38 | WP-10C | Flatwasher, 5/8 | 4 |
| 39 | C5-10C | Cotter pin, 5/32 x 1 1/4" | 2 |
| 40 | M50389 | Wheel | 2 |
| 41 | M50063 | Wheel support frame | 1 |
| 42 | M18774 | Axle | 1 |
| 43 | M50274 | Deflector brace | 3 |
| 44 | M10908-27 | Screw, #10-32 x 1/2" | 4 |
| 45 | M50296 | Spacer, Wheel | 2 |

REDDY HEATER R350 HIGH PRESSURE

097540-01 REV. B 7A

R350



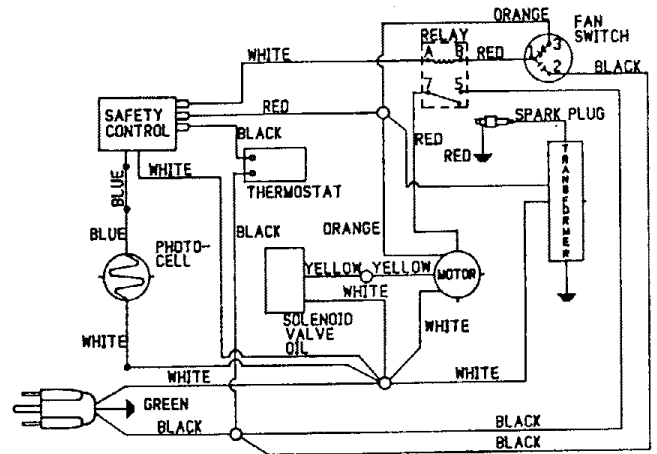
REDDY HEATER R350 HIGH PRESSURE

097540-01 REV. B 7A

Burner Head Assembly

| REF NO. | PART NO. | DESCRIPTION | QTY. |
|---------|-----------|------------------------------|------|
| 1 | M10908-02 | Hex head screw, #6-32 x 3/8" | 2 |
| 2 | M50340-02 | Photocell bracket | 1 |
| 3 | M10962-2 | Spark plug | 1 |
| 4 | M50112 | Nozzle (Model R350) | 1 |
| | M30765 | Nozzle (Model R600) | 1 |
| 5 | M51170-01 | Plug | 1 |
| 6 | M50924-02 | Burner head body | 1 |
| 7 | 69246 | Straight nipple | 1 |
| 8 | M50390-01 | Solenoid valve | 1 |
| 9 | M50297 | Compression elbow | 1 |

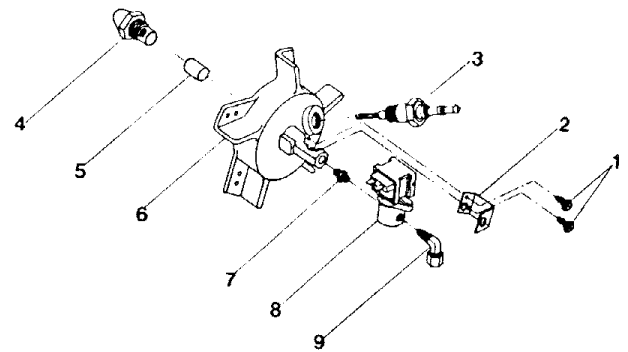
WIRING DIAGRAM



BURNER HEAD ASSY

Motor and Pump Assembly

| REF. NO. | PART NO. | DESCRIPTION | QTY. |
|----------|-------------|--|------|
| 1 | 097495-01AA | Wiring cover | 1 |
| 2 | HF5-5C | Screw, 5/16-24 x 5/16" | 4 |
| 3 | WLE-5 | External lockwasher, 5/16 | 4 |
| 4 | M11084-26 | Screw, #10-16 x 3/8 | 3 |
| 5 | 097508-01 | Motor (Model R350) | 1 |
| | 097531-01 | Motor (Model R600) | 1 |
| 6 | M50116 | Flange Clamp (holds pump to motor) | 1 |
| 7 | 097506-01AA | Motor support (Model R350) | 1 |
| | 097505-01AA | Motor support (Model R600) | 1 |
| 8 | 57413 | Street elbow | 2 |
| 9 | M17499-2 | Pipe nipple | 1 |
| 10 | M20137 | Pipe bushing | 2 |
| 11 | M50398 | Fuel filter assembly | 1 |
| | M51102-01 | Filter element (inside fuel filter assembly) | 1 |
| 12 | M50114-02 | 90° Male elbow | 1 |
| 13 | M50297 | Compression elbow | 1 |
| 14 | M50113-02 | Straight fitting | 1 |
| 15 | M50065 | Fuel pump | 1 |
| 16 | WLM-5 | Lockwasher, 5/16 | 4 |
| 17 | NPF-5C | Hex nut, 5/16-24 | 4 |
| 18 | M50671-01 | Safety control | 1 |
| 19 | 097491-01 | Power relay | 1 |
| 20 | M50104-02 | Shorty bushing | 3 |
| 21 | M110908-2 | Screw #6-32 x 3/8" | 2 |



MOTOR & PUMP ASSY

