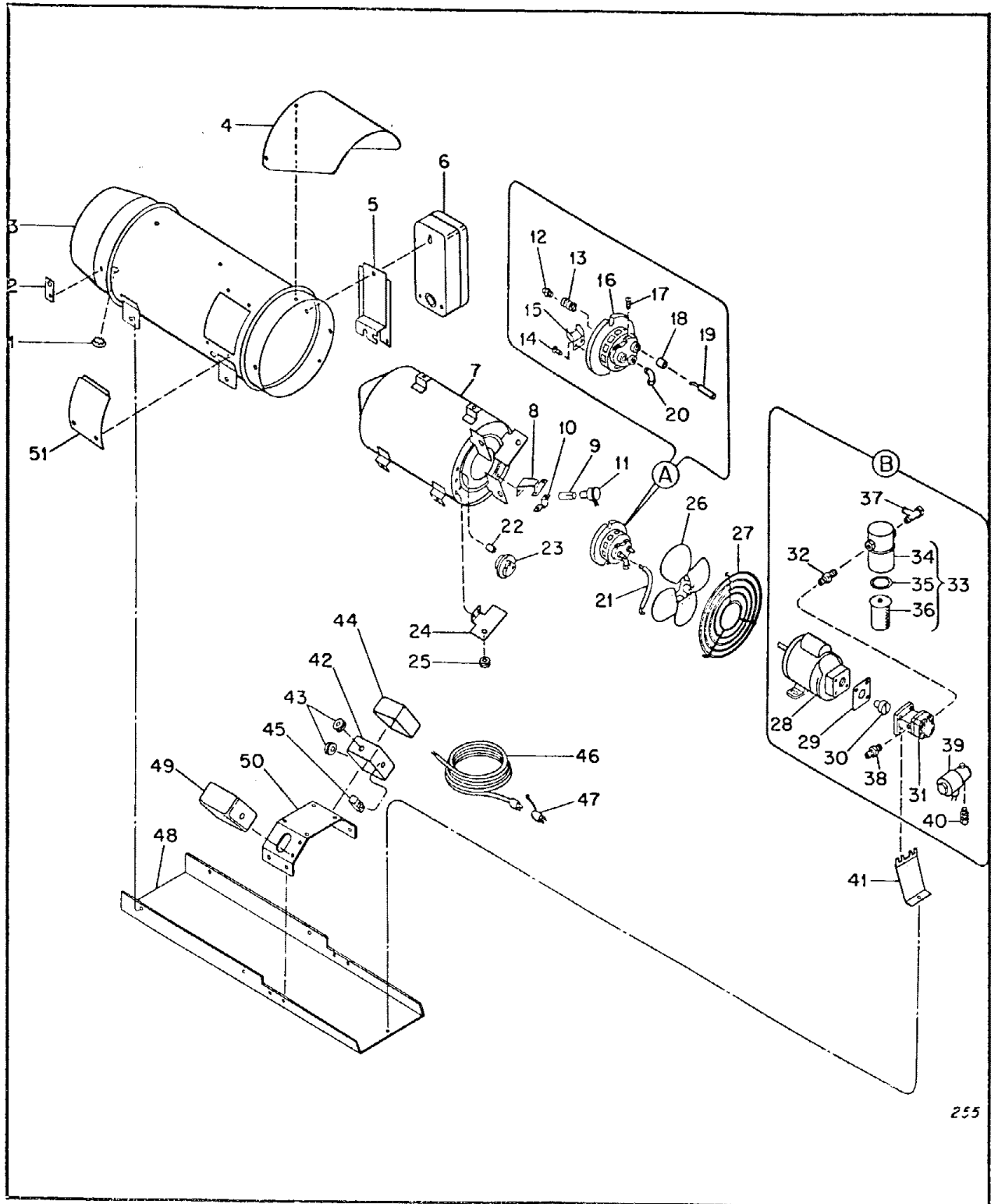


REDDY HEATER CO₂-22 FERTIL-AIRE
HIGH PRESSURE Form RH-1613 10/65



REDDY HEATER CO₂-22 FERTL-AIRE

HIGH PRESSURE Form RH-1613 10/65

INDEX NO.	PART NUMBER	PART NAME	QUAN.
1	M6572	Plug Button	1
2	M15021	Hanger Bracket	4
	M12461-29	Screw, Hex hd (Attaches Hanger Brackets)	4
3	10926G3	Outer Shell	1
	M11084-16	Screw, Hex hd, Type A (Outer Shell to Base)	4
4	M3364	Cowl	1
	M11271-5	Nut, Tinnerman	3
	M11084-40	Screw, Hex hd, Type A (Attaches Cowl and Fan Guard)	3
5	M15015G1	Mounting Bracket	1
6	M14953	Timer	1
	WP-3C	Washer, Plain (Timer to Bracket)	1
	M12461-29	Screw, Hex hd (Timer to Bracket)	1
	M10908-50	Screw, Hex hd, Type S (Timer to Bracket)	1
7	M9758G5	Combustion Chamber	1
	M10908-27	Screw, Hex hd, Type S (Combustion Chamber to Outer Shell)	4
8	M13961	Bracket, Photo Cell	1
	M10908-2	Screw, 6-32 x 3/8, Type S (Attaches Bracket)	2
	WP-10	Washer, Plain	2
9	M13962	Tubing, Photo Cell	1
10	M13963	Clamp, Tubing	1
	M12461-2	Screw, Hex hd, 6-32 x 3/8 (Attaches Clamp)	2
	NTC-1C	Locknut	2
11	* M9211-3	Photo Cell	1
	1000576	Grommet (Photo Cell Leads in Combustion Chamber Fin)	1
(A)	* M9107G1	Burner Head Assembly	1
	M12416-16	Screw, Hex hd (Burner to Combustion Chamber)	2
12	M9108	. Nozzle	1
13	M4274	. Spring	1
14	RCI-2	. Screw, Rd hd, 6-32 x 1/4	2
15	M3978	. Deflector, Air	1
16	M10947	. Body, Burner	1
17	HF3-3	. Screw, Hex hd, 10-32 x 3/8	2
18	M9788	. Bushing, Electrode	2
19	M3981	. Electrode	2
20	M2294	. Fitting, Compression tube	1
21	* M10816G7	Electrode Lead Assembly	2

REDDY HEATER CO₂-22 FERTL-AIRE
 HIGH PRESSURE Form RH-1613 10/65

INDEX NO.	PART NUMBER	PART NAME	QUAN.
	M3570	Clip, Nylon (Electrode Leads)	2
	M11084-38	Screw, Hex hd, Type A (Electrode Lead Clips)	1
	1000576	Grommet (Electrode Leads in Shell)	2
22	M8152	Spacer	2
23	* M5895	Thermal Switch	1
	M11084-40	Screw, Hex hd, Type A (Attaches Thermal Switch)	2
	1000577	Grommet (Fuel Line and Thermal Switch Leads In Shell)	1
24	M4785	Air Deflector (Fin)	1
	M11084-38	Screw, Hex hd, Type A (Attaches Fin)	2
25	M6821	Grommet	1
	M5052G14	Wire Assembly (Thermal Switch (#1) to Motor)	1
	M5052G36	Wire Assembly (Thermal Switch (#2) to Timer #1)	1
	M5052G37	Wire Assembly (Thermal Switch (#3) to Solenoid)	1
	M3486-2	Varnished Tubing (Thermal Switch Wires)	1
26	M9928	Fan	1
27	M3247	Fan Guard	1
(B)	* M10931G12	Motor Package Assembly	1
	HC4-6	Screw, Hex hd (Motor to Mounting Bracket)	4
	NLC-4	Locknut (Motor to Mounting Bracket)	4
	WP-4	Washer, Plain (Motor to Mounting Bracket)	4
28	* M8908-2	. Motor	1
29	M3547	. Gasket (Fuel Pump to Motor)	1
30	M3473	. Coupling	1
31	* M11138-1	. Pump	1
	HC5-6	. Screw, Hex hd, 5/16-18 x 7/8 (Pump to Motor)	2
	HC5-7	. Screw, Hex hd, 5/16-18 x 3/4 (Pump to Motor)	2
	WLI-5	. Lockwasher (Pump to Motor)	4
	WP-5	. Plain Washer (Pump to Motor)	2
32	M10953	. Nipple, Hex reducing	1
33	M3973	. Filter	1
34	* M4307	. . Filter Can (replacement)	1
35	* M3301-2	. . Filter Gasket (replacement)	1
36	* M3301-1	. . Filter Element (replacement)	1
37	M15020	. Fitting, Tee	1
38	M3297	. Nipple, Reducing	1
39	* M3974-1	. Solenoid Valve	1
40	1000513	. Fitting, 1/8 pipe x 3/16 tube	1
	M3334G8	Line Assembly, Fuel (Pump to Tee)	1
	M3475	Line Fuel (Solenoid Valve to Burner)	1
	M3486-2	Tubing, Varnished (Over Solenoid Leads)	1
41	M3526-1	Bracket, Pump support	1
	FF3-5C	Screw, Flat hd, 10-32 x 1/2 (Support to Base)	1
	NLF-3	Locknut (Support to Base)	1
42	M3011	Switch Box	1
	M12461-27	Screw, Hex hd (Switch Box to Motor Mounting Bracket)	2
	NLF-3	Locknut (Switch Box to Motor Mounting Bracket)	2
43	M3530	Grommet (In Switch Box)	2
	M13942-4	Wire Connector (In Switch Box)	4
	M11691	Wire Nut (In Switch Box)	1
44	M13954-3	Relay, Line Voltage (Automatic Control)	1

REDDY HEATER CO₂-22 + ERTL-AIRE HIGH PRESSURE FORM RH-1613 10/65

INDEX NO.	PART NUMBER	PART NAME	QUAN.
45	M12461-13	Screw, 8-32 x 1/4 (Relay to Switch Box)	2
	M11137	Switch, Toggle (Priming switch)	1
	M15022	Washer, Switch mounting	2
	M15044G1	Wire Assembly (Toggle Switch to blue wires in junction box)	1
	M15044G2	Wire Assembly (Toggle Switch to white wires in junction box)	1
	M15043G1	Cable Assembly (Timer to Switch Box)	1
46	1001349	Connector (Cable to Timer and Switch Box)	1
	M10813G12	Extension Cord	1
47	M9050	Adapter	1
	1001349	Connector (Extension Cord to Switch Box)	1
48	M11592	Base	1
49	* M3259-4	Transformer	1
	WLM-4	Washer, Lock (Transformer to Motor Mounting Bracket)	2
	NPC-4	Nut, Hex (Transformer to Motor Mounting Bracket)	2
50	M11574	Bracket, Motor mounting	1
	M11084-16	Screw, Hex hd, Type A (Bracket to Base)	1
51	M8633-2	Door Access	1
	M11084-40	Screw, Hex hd, Type A (Access Door to Shell)	2
	M11271-5	Nut, Tinnerman (Access Door to Shell)	2

