

# HD12A Infra-Red TANKTOP HEATER

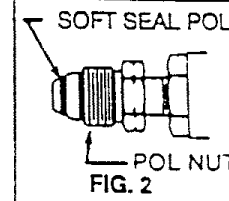
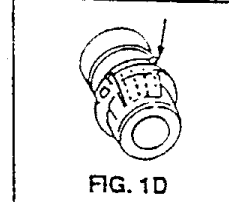
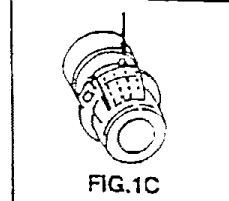
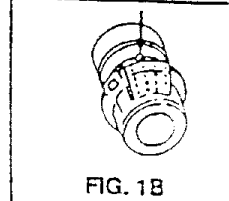
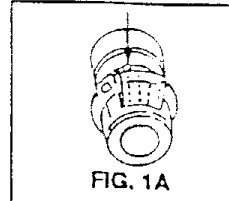
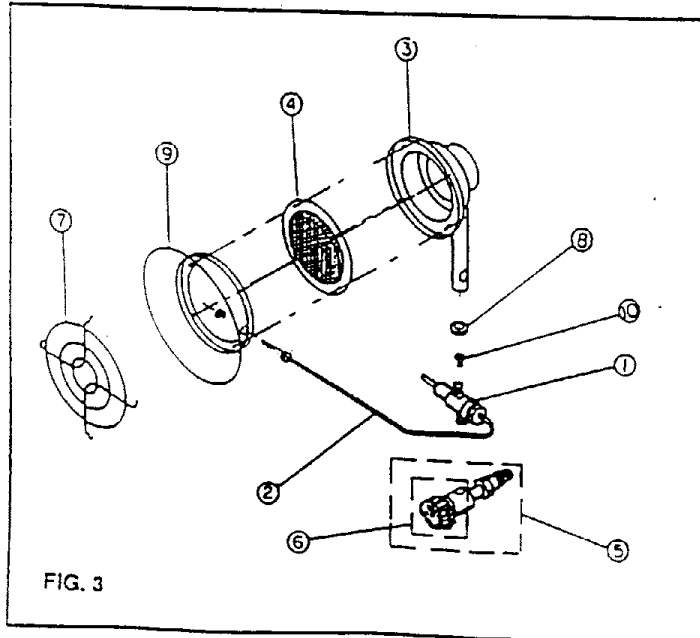
## HEATER DATA (Approx.)

Fuel Consumption "HI"	12,000 BTU'S/HR
Fuel Consumption "MED"	10,000 BTU'S/HR
Fuel Consumption "LOW"	8,000 BTU'S/HR
5 Lb. Tank (108,000 BTU'S) "HI"	9 HOURS
11 Lb. Tank (240,000 BTU'S) "HI"	20 HOURS
20 Lb. Tank (430,000 BTU'S) "HI"	36 HOURS

## Replacement Parts List for Heater Model HD12A

ITEM NO.	STOCK NO.	DESCRIPTION
1	E73116	Replacement Safety Shutoff w/Orifice Assembly
2	E73117	12" Thermocouple Lead
3	E73122	Plenum Assembly Complete
4	E73164	Screen Assembly
5	E73615	Replacement Regulator w/S.N. POL
6	E73410	Replacement Regulator HI-Med-Lo-Off
7	E75102	Wire Guard
8	E75113	Knurled Lock Nut
9	E75128	Reflector
10	E75784	.018 Orifice

**NOTE: WHEN LIGHTING BURNER  
WITH A MATCH OR TAPER,  
LIGHT AT SCREEN.  
(NOT AT ORIFICE)**



**ACCESSORY:**  
LPA 5000 Tank  
Stabilizer for use with  
20 lb. propane cylinde

**DESA INTERNATIONAL**  
2701 Industrial Drive  
P.O. Box 90004  
Bowling Green, KY 42102-9004

Part # 100106-02