

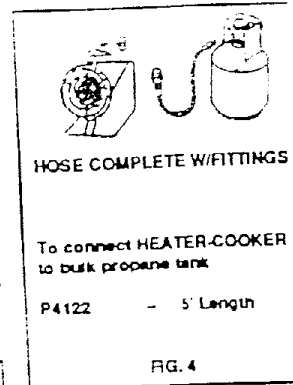
# INFRARED HD12C-A HEATER-COOKER

HEATER DATA (Approx.)

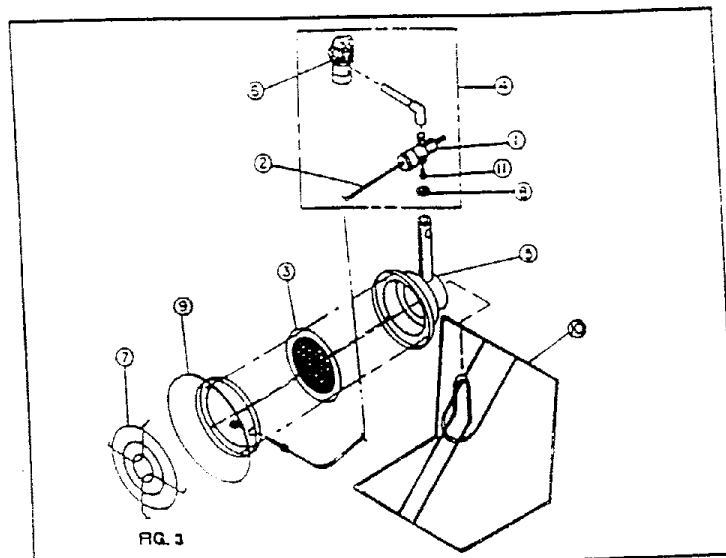
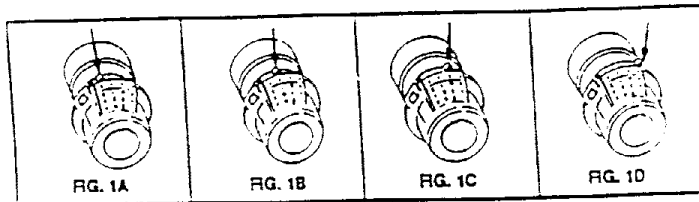
Fuel Consumption "HI"	12,000 BTU'S/HR
Fuel Consumption "MED"	10,000 BTU'S/HR
Fuel Consumption "LOW"	8,000 BTU'S/HR
14.1oz. Disposable Cyl. (19,500 BTU's) "HI"	1.6 HOURS
16.4 oz. Disposable Cyl. (22,000 BTU's) "HI"	1.8 HOURS
5 Lb. Tank (108,000 BTU's) "HI"	9 HOURS
11 Lb. Tank (240,000 BTU's) "HI"	20 HOURS
20 Lb. Tank (430,000 BTU's) "HI"	36 HOURS

## Replacement Parts List for Heater Model HD12C-A

ITEM NO	STOCK NO.	DESCRIPTION
1	E73116	Replacement Safety Shutoff w/ Orifice Assembly
2	E73117	12" Thermocouple Lead
3	E73164	Screen Assembly
4	E73320	Replacement Regulator w/ Safety Shutoff
5	E73322	Plenum Assembly Complete
6	E73420	Replacement Regulator HI-Med-Lo-Off
7	E75102	Wire Guard
8	E75113	Knurled Lock Nut
9	E75128	Reflector
10	E75318	Square Stand
11	E75784	.018 Orifice



ACCESSORY:  
LPA 5000 Tank  
Stabilizer for use with  
20 lb. propane cylinder.



100780-01