

Figure 16. Burner Head Assembly

Index No.	Part Number	Part Name	Qty.
16-	M23443-2	Burner Head Assembly	Ref
1	M16660	. Bracket, Photo Cell	1
2	*M10908-1	. Screw, Hex hd, Self-tapping, No. 6-32 x 1/4 (AP)	2
3	*M12461-51	Screw, Hex hd No. 10-24 x 1/2	1
4	M16895-1	. Spark Plug	1
5	M16741-18	. Ring, Retaining	1
	M23151-2	. Nozzle Adapter Assembly	1
6	M5976	. . Connector, Male	1
7	M8882	. . Sleeve, Nozzle Seal	1
8	M10659-1	. . Washer, Nozzle Seal	2
9	M10809-1	. . Spring, Nozzle Seal	1
10	M13960	. . Nozzle, Aspirating	1
11	M16791	. . Connector, Male	1
12	M16535	. . Adapter, Nozzle	1
13	M25020	. Body, Burner Head	1

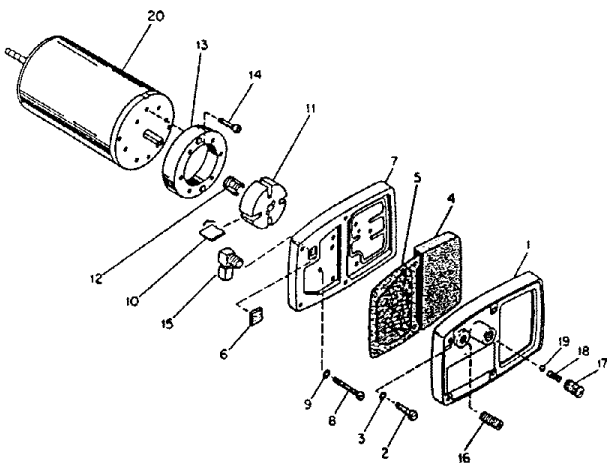


Figure 17. Motor Package Assembly

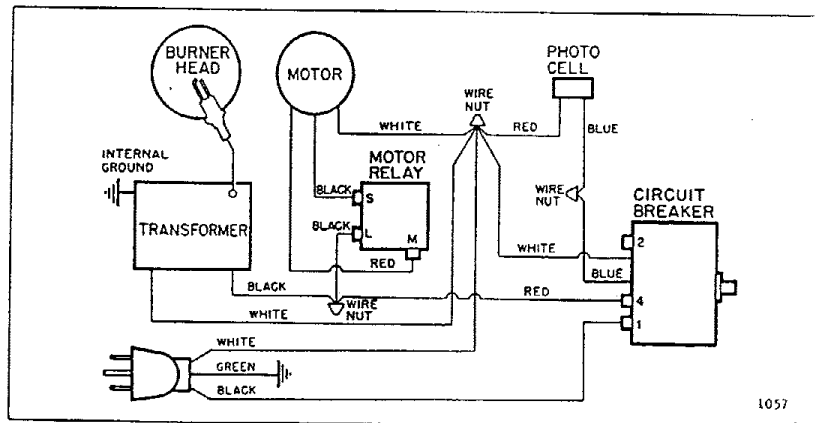


Figure 11. Wiring Diagram

Index No.	Part Number	Part Name	Qty.
17-	M25023-1	Motor Package Assembly	1
1	M16545	. End Cover, Filter	1
2	*M12461-31	. Screw, Hex hd No. 10-32 x 1 (AP)	4
3	*WLI-3	. Lockwasher, Internal No. 10 (AP)	4
4	M12179	. Intake Air Filter	1
5	M12244-1	. Output Filter Assy	1
6	M11637	. Filter, Lint	1
7	M12233	. Front Cover, Pump (Port Plate)	1
8	*M12461-32	. Screw, Hex hd, No. 10-32 x 1-1/8 (AP)	6
9	WLI-3	. Lockwasher, Internal No. 10 (AP)	6

Index No.	Part Number	Part Name	Qty.
10	M8643	. Blade, Pump	4
11	M22456-1	. Rotor, Pump	1
12	M22009	. Insert, Rotor	1
13	M8645	. Pump Body	1
14	*FHPP3-4C	. Screw (Pump Body to Motor)	2
15	69248	. Elbow, 90°	1
16	M22997	. Plug	1
17	M23105	. Screw, Pressure Adjustment	1
18	M10993-1	. Spring, Compression (Pressure Relief)	1
19	M8940	. Ball 1/4 in. dia.	1
20	M25022-1	. Motor	1

AP indicates attaching parts.

\* Standard hardware. Purchase locally.

Index No.	Part Number	Part Name	Qty.
1	M25030B	Shell, Upper	1
2	M12461-49	Screw, Hex hd, No. 10-24 x 1/2 (AP)	6
3	M21809	Handle	1
4	NTC-3C	Nut, Torque lock, No. 10-24 (AP)	4
5	WP-3C	Washer, Plain No. 10 (AP)	4
6	M12345-22	Screw, Oval hd No. 10-24 x 3/8 (AP)	4
7	M25019-1	Combustion Chamber Assy	1
8	M11084-26	Screw, Hex hd, Self-tapping, No. 10-12 x 3/8 in. (AP)	4
9		Deleted	
10	M16656-3	Photo Cell and Bushing Assembly	1
11	M23443-2	Burner Head Assembly (For details see Fig. 16)	NA
12	M11084-27	Screw, Hex hd, self-tapping No. 10-12 x 1/2 in. (AP)	3
13	M19630	Filter, Fuel	1
14	M16790-14	Tube, Fuel Filter	1
15	M13849	Nut, Flared	1
16	M25021	Air Line	1
17	M25037	Fan, 25/32 pitch	1
-	SF4-2-1/2K	Setscrew, Socket hd, cup point, 1/4-28 x 5/16 (Furnished with fan)	2
18	M25023-1	Motor Package Assembly (For details see Fig. 17)	NA
19	NPC-4C	Nut, Plain, Hex 1/4-20 (AP)	2
20	WLM-4	Lockwasher, 1/4 in. (AP)	2
21	HC4-10C	Screw, Hex hd 1/4-20 x 1-1/4 in. (AP)	2
22	M16661	Clamp, Motor	4
23	M25059	Bracket, Motor Support	1
24	M11084-27	Screw, Hex hd, self-tapping, No. 10-12 x 1/2 in. (AP)	4
25	1000576	Grommet	2
26	1000577	Grommet	1
27	ST2-2AC	Screw, Rd hd, No. 8-15 x 1/4 in. (Grounding)	1
28	M11084-26	Screw, Hex hd, self-tapping, No. 10-12 x 3/8 in.	2
29	M16841-15	Wire Assembly	2
29A	M16841-16	Wire Assembly	2
30	M13942-2	Connector, Wire	2
31	M13942-4	Connector, Wire	1
32	M24982-1	Control Assembly, Safety	1
33	M25061-1	Relay, Motor start	1
34	RC2-2C	Screw, Rd hd No. 8-32 x 1/4 in. (AP)	2
35	M25035	Bracket, Relay	1
36	M16697	Transformer Assembly	1
37	M11084-27	Screw, Hex hd, self-tapping No. 10-12 x 1/2 in.	2
38	M11143-1	Bushing, Strain relief	1
39	M10813-38	Extension Cord Assembly	1
40	M25032-1C	Lower Shell Assembly	1
41	M11084-26	Screw, Hex hd, self-tapping, No. 10-12 x 3/8 in (AP)	4

NA Indicates "Not Available -- Order individual parts."

AP indicates "Attaching Parts".

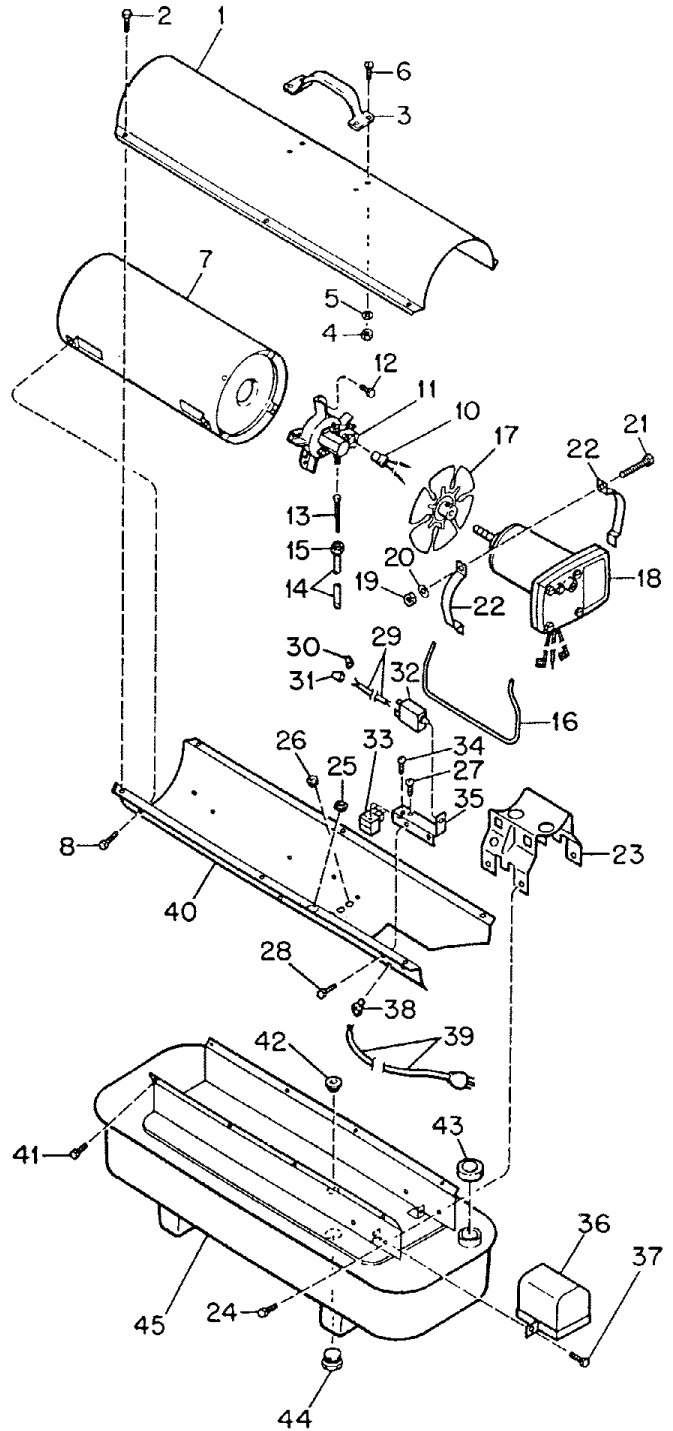


Figure 15 Portable Heater, Exploded View

42	M10990-3	Bushing	1
43	M11151	Cap, Filler Neck	1
44	M25374-1	Plug Assembly, Drain	1
	M25375	O-Ring	1
	M25277	Plug, Drain	1
45	M25033-1C	Fuel Tank Assembly	1