

Figure 13. Heater Assembly, Exploded View

HEATER ASSEMBLY

Fig. & Index No.	Part Number	Part Name	Qty.
1	M23748C	Upper Shell Assembly	1
	M11084-27	Screw, Hex hd., 10-12 x 1/2 in. (AP)	8
2	M23734-2	Combustion Chamber	1
	M11084-27	Screw, Hex hd., 10-12 x 1/2 in. (AP)	4
3	M16656-3	Cell and Bushing Assy	1
4	M16660	Bracket, Photo cell	1
	M10908-1	Screw, Hex hd., 6-32 x 1/4 in. (AP)	2
5	M13942-5	Connector, Wire	2
6	M16615-1	Wiring Harness Assembly	1
7	M23150-6	Burner Head Assembly (For details see Fig. 15)	1
	M11087-27	Screw, Hex hd., 10-12 x 1/2 in. (AP)	3
8	M23753	Air Line	1
9	M12461-27	Screw, Hex hd., 10-32 x 1/2 in.	1
10	M24717	Clamp, Air Line	1
11	WLM-3	Lockwasher, No. 10	1
12	NPF-3C	Nut, Plain, No. 10-32	1
13	M16871	Strap, Retainer	1
14	M11084-27	Screw, Hex hd., 10-12 x 1/2 in. (AP)	2
15	M27982	Fan, 0.75 pitch	1
	SF4-2-1/2K	Setscrew, Socket hd., cup pt. 1/4-28	2
16	M17875-9	Motor Package Assembly	1
17	M16661	Clamp, Motor (AP)	4
18	HC4-10C	Screw, Hex hd., 1/4-20 x 1-1/4 in. (AP)	2
19	WLM-4	Lockwasher, 1/4 in.	2
20	NPC-4C	Nut, Hex 1/4-20	2
21	M16810C	Shell, Lower	1
22	M11271-6	Nut, Tinnerman	8

Fig. & Index No.	Part Number	Part Name	Qty.
23	M12828	Bracket, Shell Support	1
	M11084-29	Screw, Hex hd., 10-12 x 3/4 in. (AP)	4
24	1000576	Grommet	2
25	1000577	Grommet	2
26	M12651-1	Clamp, Capacitor	1
	M11084-27	Screw, Hex hd., 10-12 x 1/2 in. (AP)	1
27	M12650-1	Capacitor	1
28	M9900-77	Wire Assembly, Capacitor	1
29	M16645	Bracket, Motor Support	1
	M11084-27	Screw, Hex hd., 10-12 x 1/2 in. (AP)	4
	M27105	Terminal	1
30	M16697	Transformer, 5000 Volt	1
	M11084-27	Screw, Hex hd., 10-12 x 1/2 in. (AP)	2
31	M9900-62	Wire Assembly, Relay	1
32	M9900-80	Wire Assembly, Relay	1
33	M24982-5	Control Assembly, Safety	1
34	M12462-6	Relay, Starting	1
	RC2-2C	Screw, Rd. hd., 8-32 x 1/4 in. (AP)	2
35	M25296-1	Bracket, Safety Control	1
	M11084-27	Screw, Hex hd., 10-12 x 1/2 in. (AP)	1
36	M13942-2	Connector, Wire	3
37	M15995-2	Plug, Button	1
38	M10813-33	Extension cord Assembly	1
39	M11954	Bushing Strain Relief	1
40	M27547-01B	Fuel Tank Assembly	1
41	M27417	Plug, Drain	1
42	M18053	Screen, Filler Neck	1
43	M23284	Cap, Filler Neck	1
44	M10990-3	Bushing, Rubber	1

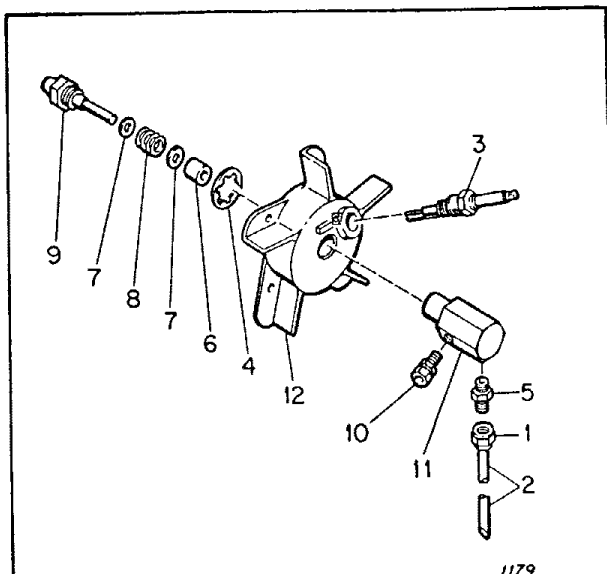


Fig. & Index No.	Part Number	Part Name	Qty.
	M23150-6	Burner Head Assembly	Ref.
1	M13849	Nut, Flared	1
2	M16789-9	Fuel Filter Assembly	1
3	M10962-2	Spark Plug	1
4	M16741-18	Ring, Retaining	1
	M23151-1	Nozzle Adapter Assembly	1
5	M5976	Connector, Male	1
6	M8882	Sleeve, Nozzle Seal	1
7	M10659-1	Washer, Nozzle Seal	2
8	M10809-1	Spring, Nozzle Seal	1
9	M23103	Nozzle, Aspirating	1
10	M16791	Connector, Male	1
11	M16535	Adapter, Nozzle	1
12	M16534	Body, Burner Head	1

Fig. & Index No.	Part Number	Part Name	Qty.
	M17875-9	Motor Package Assembly	1
1	M16545	End Cover, Filter	1
2	M12461-31	Screw, Hex hd., 10-32 x 1 (AP)	4
3	WLI-3	Lockwasher, Internal No. 10 (AP)	4
4	M12179	Intake Air Filter	1
5	M12244-1	Output Filter Assembly	1
6	M11637	Filter, Lint	1
7	M12233	Front Cover, Pump (Port plate)	1
8	M12461-34	Screw, Hex hd., No. 10-32 x 1-1/2 (AP)	6
9	WLI-3	Lockwasher, Internal No. 10 (AP)	6

Fig. & Index No.	Part Number	Part Name	Qty.
10	M8643-3	Blade, Pump	4
11	M22456-3	Rotor, Pump	1
12	M22009	Insert, Rotor	1
13	M8645-3	Pump Body	1
14	FHPF3-7C	Screw (Pump Body to Motor)	2
15	M5976	Connector, Male	1
16	M22997	Plug	1
17	M27694	Screw, Pressure Adjustment	1
18	M10993-1	Spring, Compression (Pressure Relief)	1
19	M8940	Ball, 1/4 in. dia.	1
20	M17814-6	Motor	1

HANDLES AND WHEELS

1	M15812-3	Handle, Front	1
2	M15813-3	Handle, Rear	1
3	M12831-2	Frame, Wheel Support	1
4	M12345-34	Screw, Oval hd., 10-24 x 2 in.	8
5	M12345-31	Screw, Oval hd., 10-24 x 1-1/4 in.	2
6	WP-3C	Washer	2
7	NTC-3C	Nut, Torque Lock No. 10-24	10
8	M28526	Nut, Cap	2
9	M19294	Wheel	2
10	WP-8C	Washer, Flat, 1/2 inch	2
11	M16801-2	Axle	1

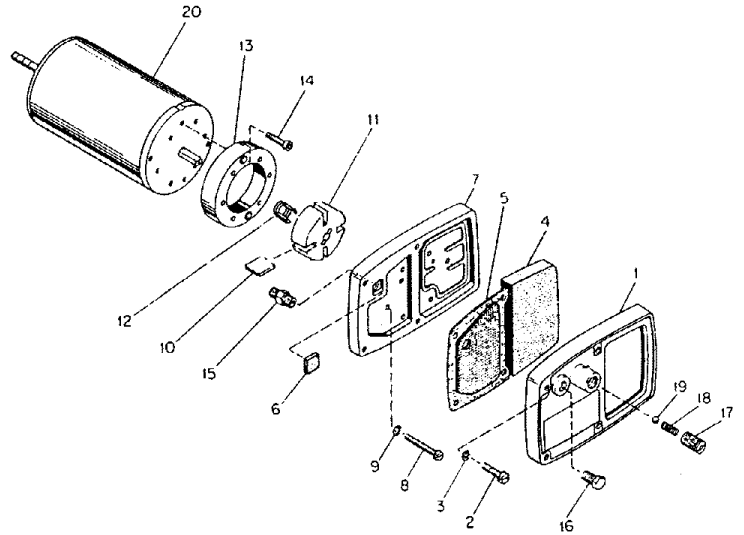


Figure 14. Motor Package Assembly

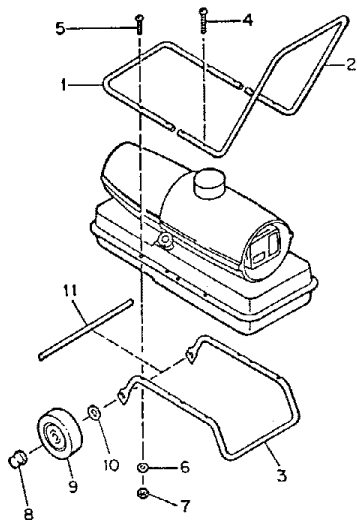


Figure 16. Handles & Wheels

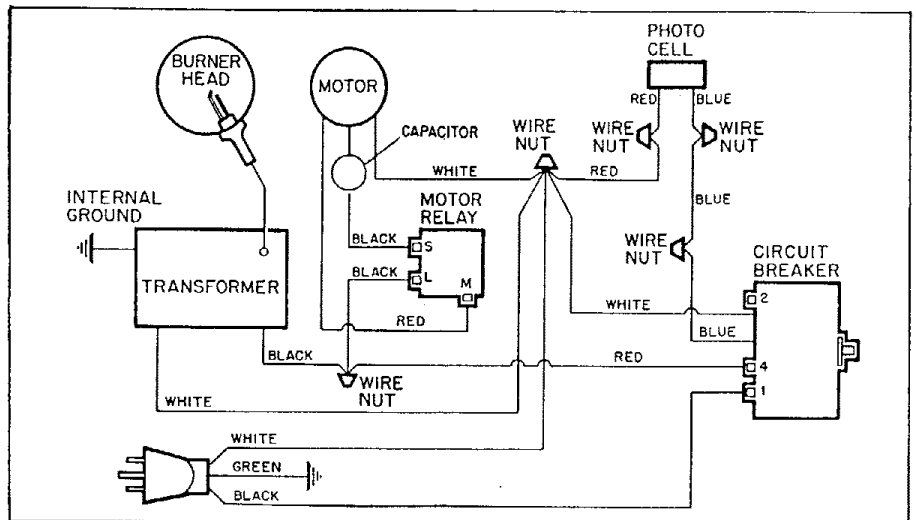


Figure 9. Wiring Diagram