

# MODELS BB-150 AND BB-150D

Spec. Nos. 2968G06 and 3059G05    Spec. Nos. 2968G07 and 3059G06  
BASIC HEATER ASSEMBLY

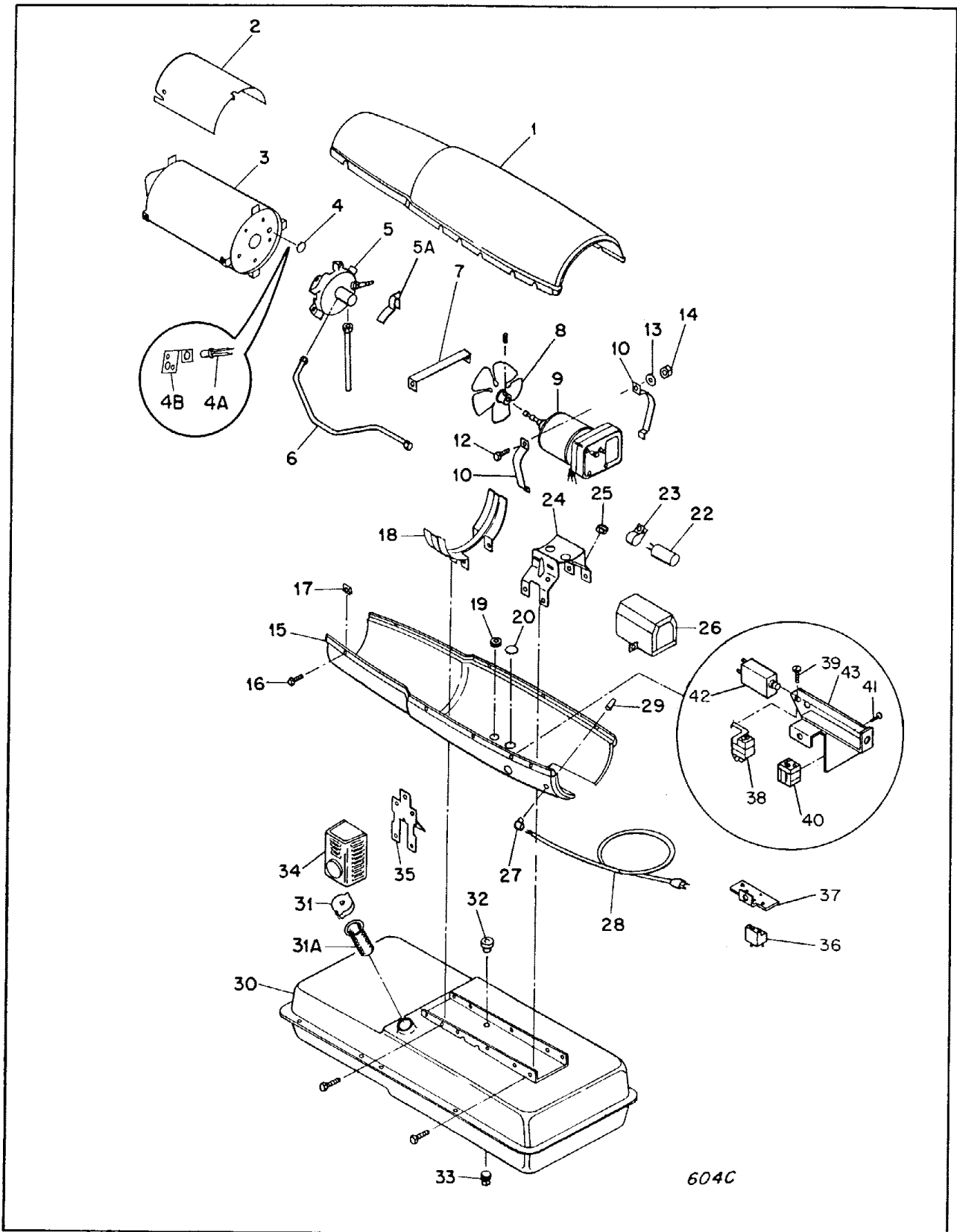


Figure 13. Portable Heater, Exploded View

# MODELS BB-150 AND BB-150D

Spec. Nos. 2968G06 and 3059G05 Spec. Nos. 2968G07 and 3059G06

## SECTION VI

### ILLUSTRATED PARTS LIST

This section contains a list of all service parts used in the equipment covered by this manual. Standard hardware items are indicated by the symbol (\*).

Check the model decal for correct model number

of the equipment. Include the model, specification, and serial numbers when ordering parts. Order parts by part name and part number only. Do not use index numbers from the illustration when ordering parts. Specify color when ordering painted parts.

Index No.	Part Number	Part Name or Description	Ref. Notes	Quan.
1	M17015G1C	Shell Assy, Upper	c	1
2	M16679	Deflector, Heat		1
3	M16887G5	Combustion Chamber		1
-	M11084-27	Screw (Combustion Chamber attaching, front)	*\$	2
-	M11084-29	Screw (Combustion Chamber attaching, rear)	*\$	2
4	M15995	Plug Button (Rear head of combustion chamber)	&	1
4A	M16656G1	Cell and Bushing Assy.	+	1
4B	M16660	Bracket, Photo Cell	+	1
5	Ref.	<u>Burner Head Assembly</u> (See Figure 14)	@	1
-	M11084-27	Screw (Burner Head to Combustion Chamber)	*\$	3
5A	M19488	Limiter, Air		1
6	M16804	Air Line	@	1
7	M16871	Strap, Retainer		1
-	M11084-27	Screw (Retainer Strap to Lower Shell)	*\$	2
8	M17058	Fan, 16° Pitch		1
-	SF4-2-1/2K	Setscrew, Soc. hd., cup pt, 1/4-28 (Fan to Motor Shaft)		2
9	Ref.	<u>Motor Package Assembly</u> (See Figure 15)	@	1
10	M16661	Clamp, Motor		4
11	Not Used			
12	HC4-10C	Screw (Motor Clamps)	*\$	2
13	WLM-4	Lockwasher, 1/4 in. (Motor Clamps)	\$	2
14	NPC-4C	Nut, Hex, 1/4-20 (Motor Clamps)		2
15	M16810C	Shell, Lower	c	1
16	M11084-27	Screw (Upper Shell to Lower Shell)	*\$	8
17	M11271-6	Nut, Tinnerman (Upper Shell to Lower Shell)	\$	8
18	M12828A	Bracket, Shell Support		1
-	M11084-27	Screw (Support Bracket to Lower Shell and Fuel Tank)	*\$	6
-	M11084-29	Screw (Lower Shell to Support Bracket)	*\$	2
19	1000576	Grommet (Ignition Cable thru Lower Shell, Thermostat Leads thru Lower Shell)	&	3
19	1000576	Grommet (Cables and Leads thru lower Shell)	+	4

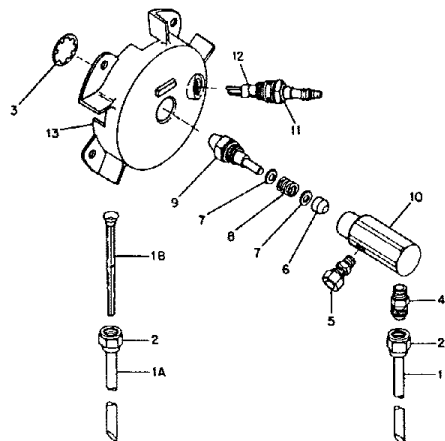
Index No.	Part Number	Part Name or Description	Ref. Notes	Quan.
20	M15809	Plug Button (for 1/2" dia. hole)	&	1
21	Not Used			
22	M12650-1	Capacitor		1
23	M12651	Clamp, Tinnerman (Capacitor Mounting)		1
-	M11084-27	Screw (Capacitor Clamp to Motor Support Bracket)	*\$	1
24	M16645	Bracket, Motor Support		1
-	M11084-27	Screw (Motor Support Bracket to Lower Shell and Fuel Tank)	*\$	6
25	1000577	Grommet (Motor and Capacitor Leads thru Motor Support Bracket)		2
-	M15823-26	Screw (Service Cord grounding to Motor Support Bracket)	*\$	1
26	M16697	Transformer, 5000-Volt	@	1
-	M11084-27	Screw (Transformer to Motor Support Bracket)	*\$	2
27	M11954	Bushing, Strain Relief (Service Cord to Lower Shell)		1
28	M10813G33	Service (Extension) Cord		1
29	M13942-2	Connector (Wire Nut)	\$&	1
-	M13942-2	Connector (Wire Nut)	+\$	4
-	M13942-4	Connector (Wire Nut) approx. 7/8 in. long	\$	2
-	M9900G77	Wire Assy. (to Capacitor)		1
30	M18371G2B	Fuel Tank	#c	1
31	M18051	Cap, Fuel Tank	#	1
31A	M18053	Screen, Filler Neck	#	1
32	M10990-3	Bushing, Rubber (Fuel Filter into Fuel Tank)		1
33	M21040	Plug, Pipe, 1/4 in., Hex hd. (Fuel Tank Drain)		1
34	Ref.	<u>Thermostat Assy.</u> (See Figure 16)		1
-	M10908-1	Screw (Thermostat to Bracket)	*	4
35	M15814C	Bracket, Thermostat		1
-	M12461-51	Screw (Thermostat Bracket to Lower Shell)	*	2
-	M12250-1	Nut, Tinnerman, No. 10-24 (Thermostat Bracket to Lower Shell)		2

Index No.	Part Number	Part Name or Description	Ref. Notes	Quan.
-	M16805G1	<u>Motor Package Assembly</u> (See Figure 13, Index No. 9)	@++	1
-	M17875G1	<u>Motor Package Assembly</u> (See Figure 13, Index No. 9)	@	1
-	M16675G2	<u>Pump and Filter Parts Package</u>		1
1	M16545	End Cover, Filter		1
2	M12461-31	Screw (Filter End Cover to Pump End Cover)	*\$	4
3	WLI-3	Lockwasher, Internal, No. 10	\$	4
4	M12179	Intake Air Filter	@	1
5	M12244G1	Output Filter Assy	@	1
6	M11637	Filter, Lint	@	1
7	M12233	End Cover, Pump (Port Plate)		1
8	M12461-34	Screw (End Cover to Motor)	*\$	6
9	WLI-3	Lockwasher, Internal, No. 10	\$	6

\* See Listing of Standard Screws  
 @ Parts recommended for normal replacement by owner or user.  
 \$ Standard Hardware-procurable locally in most areas.  
 ++Superseded by Motor Package Assy., Part No. M17875G1.  
 Order Replacement Kit No. M20725-1.

**STANDARD SCREWS**

Part Number	Part Name or Description
FHPP3-7C	Screw, Fillister hd, No. 10-32 x 7/8 in.
HC4-10C	Screw, Hex hd., machine, 1/4-20 x 1-1/4 in.
M11084-27	Screw, Self-tapping hex hd., No. 10-12-1/2 in., Type "A"
M11084-29	Screw, Self-tapping, hex hd., No. 10-12 x 3/4 in., Type "A"
M12345-31	Screw, Oval hd., machine, No. 10-24 x 1-1/4 in.
M12345-34	Screw, Oval hd., machine, No. 10-24 x 2 in.
M12461-31	Screw, Hex hd., No. 10-32 x 1 in.
M12461-34	Screw, Hex hd., No. 10-32 x 1-1/2 in.
M15823-26	Screw, Self-tapping, hex hd., No. 10-12 x 3/8 in., Type "B"



Form No. 2695 (10/70)

Figure 14. Burner Head Assembly

Index No.	Part Number	Part Name or Description	Ref. Notes	Quan.
10	M8643-3	Blade		4
11	M13635-3	Rotor		1
12	M14856	Spring		1
13	M8645-3	Pump Body		1
14	FHPP3-7C	Screw (Pump Body to Motor)	*\$	2
15	M5976	Connector, Male		1
16	M10837	Pipe Plug, Hex hd.		1
17	M10992-1	Screw, Pressure Adjustment		1
18	M10993-1	Spring, Compression (Pressure Relief)		1
19	M8940	Ball, 1/4 in. dia.		1
20	M17814	Motor		1
-	M16675G2	Kit, Pump and Filter		1
-	M20711-1	Kit, Motor Replacement (Replaces Motor M12811)		1
-	M20725-1	Kit, Motor Package Replacement (Replaces M12864G1 and M16674G1)		1

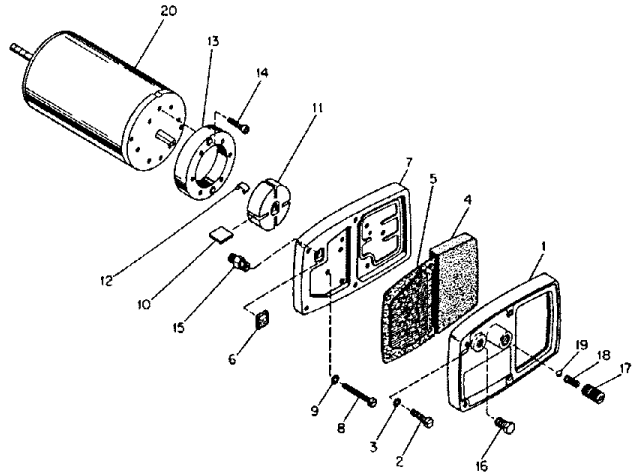


Figure 15. Motor Package Assembly

**BURNER HEAD ASSEMBLY**

Index No.	Part Number	Part Name or Description	Ref. Notes	Quan.
-	M16803G3	<u>Burner Head Assembly</u> (See Fig. 13, Index No. 5)	@	1
1	M16789G3	Filter Assy, Fuel	@	1
1A	M16790-3	Filter Tube	@@	(1)
1B	M19630	Filter, Fuel	@@	(1)
2	M13849	Nut, Flare		1
3	M16741-18	Ring, Retaining		1
-	M16787G3	Nozzle Adapter Assy		1
4	M16791	Connector, Male		1
5	M5976	Connector, Male		1
6	M8882	Sleeve, Nozzle Seal		1
7	M10659-1	Washer, Nozzle Seal		2
8	M10809-1	Spring, Nozzle Seal		1
9	M18022	Nozzle, Aspirating, 1.0 gph		1
10	M16535	Adapter, Nozzle		1
11	M16895G1	Spark Plug Assy (Not available separately)	@	1
13	M18023	Body, Burner Head		1

@ Parts recommended for normal replacement by owner or user.  
 @@ Set of parts supersedes M16789G3.

MODELS BB-150 and BB-150D

Spec. Nos. 2968G06 and 3059G05

Spec. Nos. 2968G07 and 3059G06

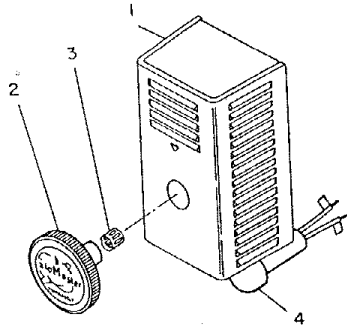


Figure 16. Thermostat Assembly

Index No.	Part Number	Part Name or Description	Ref. Notes	Quan.
-	M17073	Thermostat Assy.	+	
1	M16143	Thermostat Assy. (See Figure 13, Index No. 34)	&	1
2	M16152	. . Knob, Thermostat		1
3	M16154	. . Spring, Thermostat Knob		1
4	M11954	. . Bushing, Strain Relief		1
	M17063G2	. Cable Assy.	&	1

+ Deluxe Models Only.  
& Standard Models Only.

**WHEELS, HANDLES, MARKINGS**

Index No.	Part Number	Part Name or Description	Ref. Notes	Quan.
1	M15813A	Handle, Rear	&	1
-	M15813-2	Handle, Rear	+	1
2	M15812A	Handle, Front	&	1
-	M15812-2	Handle, Front	+	1
3	M12831B	Frame, Wheel Support	&	1
-	M12831-2	Frame, Wheel Support	+	1
4	M12345-34	Screw		8
5	NTC-3C	Nut, Torque Lock No. 10-24		8
6	M16802	Hub Cap		2
7	M16741-15	Ring, Retaining		2
8	WP-8C	Washer, Flat 1/2 inch		2
9	M19294	Wheel		2
10	M16801-2	Axle		1

& Standard Models Only.  
+ Deluxe Models Only.

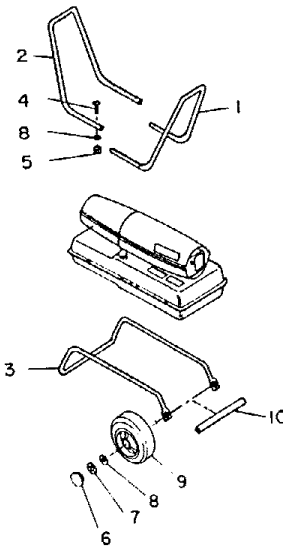


Figure 17. Handles and Wheels

