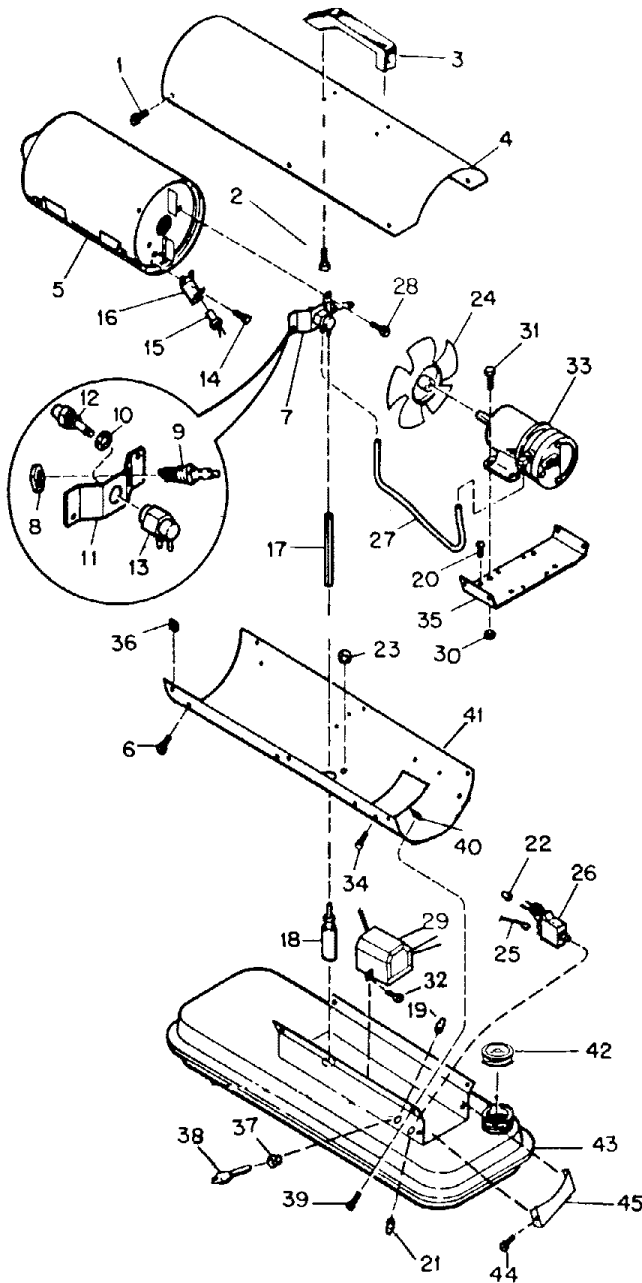


# PARTS - MODEL HM28

# HANDY MASTER

This list contains replaceable parts used in your heater. When ordering parts, be sure to provide the correct model and assembly numbers (from the nameplate decal), then the part number and description of the desired part.



HEATER EXPLODED VIEW

KEY NO.	PART NUMBER	PART DESCRIPTION	QTY
1	M11084-27	Screw, Hex Head (10-16 x 1/2)	6
2	M50589-01	Screw, Handle	2
3	M51104-01	Handle	1
4	079014-01BC	Shell, Upper	1
5	M29634-01	Combustion Chamber Assembly	1
6	M11084-26	Screw, Hex Head (10-16 x 3/8)	4
7	M29707-01	Burner Head Assembly	1
8	M29824	Nut, Special 14 MM	1
9	M29835	Spark Plug	1
10	M16741-18	Ring, Retaining	1
11	M29615-01	Bracket, Assembly	1
	M29705-01	Nozzle Adaptor Assembly (key numbers 12 and 13)	
12	M29681	Nozzle Siphon	1
13	M29805	Adaptor, Nozzle	1
14	M10908-2	Screw, Hex Head (6-32 x 3/8)	2
15	M16656-4	Photocell and Bushing Assembly	1
16	M16660	Bracket, Photocell	1
17	M29652-02	Fuel Line (Rubber Tubing)	1
18	M50876-01	Fuel Filter Assembly	1
19	M13942-6	Connector, Wire	1
20	M11084-26	Screw, Hex Head (Grounding, 10-16 x 3/8)	1
21	M13942-5	Connector, Wire	1
22	M13942-7	Connector, Wire	1
23	1000576	Grommet	2
24	M29678	Fan	1
25	M16841-16	Wire Assembly (Red)	1
26	M28898-03	Flame-Out Control (Safety)	1
27	M29652-01	Airline (Rubber Tubing)	1
28	M11084-26	Screw, Hex Head (10-16 x 3/8)	2
29	M16697-01	Transformer (5000 Volt)	1
30	NTC-3C	Nut (10-24)	4
31	M12461-50	Screw, Hex Head (10-24 x 3/8)	4
32	M11084-26	Screw, Hex Head (10-16 x 3/8)	2
33	M29750-01	Motor and Pump Assembly	1
34	M11084-26	Screw, Hex Head (Secures Motor Support Bracket to Lower Shell, 10-16 x 3/8)	4
35	M29616	Motor Mounting Bracket	1
36	M11271-6	Nut, Clip	6
37	M11143-1	Bushing, Strain Relief	1
38	M10813-74	Power Cord	1
39	M11084-27	Screw, Hex Head (Secures Lower Shell in Position, 10-16 x 1/2)	4
40	M11271-6	Nut, Clip	4
41	079015-01BC	Shell, Lower	1
42	M51027-09	Kit, Fuel Cap	1
43	079017-01BD	Fuel Tank Assembly	1
44	M11084-26	Screw, Hex Head (10-16 x 3/8)	2
45	079016-01BD	Bracket, End Cover	1

## PARTS AVAILABLE--NOT SHOWN

1	078949-01	Decal, Tradename
2	078949-02	Decal, Tradename
3	M30728	Decal, Wiring Diagram
4	M50011	Decal, Spark Plug
5	079039-01	Decal, Warning
6	079018-01	Decal, Information

# HANDY MASTER MODEL: HM28

KEY NO.	PART NUMBER	PART DESCRIPTION	QTY
	M29750-01	MOTOR AND PUMP ASSEMBLY	
1	M29609	Filter End Cover	1
2	M12461-31	Screw, Hex Head (10-32 x 1)	3
3	M8940	Ball, Steel (1/4 Dia)	1
4	M29633	Intake Air Filter	1
5	M29612-01	Output Filter Assembly	1
6	M29632	Lint Filter	1
7	M29608	Pump End Cover	1
8	M12461-31	Screw, Hex Head (10-32 x 1)	6
9	M29780-01	Motor (120 V, 60 Hz)	1
10	M8643	Blade	4
11	M22456-1	Rotor, Pump	1
12	M22009	Insert, Rotor	1
13	M8645	Pump Body	1
14	FHPF3-4C	Screw, Fillister Head (10-32 x 1/2)	2
15	M50016	Elbow, 90°	1
16	M22997	Plug, Pipe	1
17	M27694	Screw, Pressure Adjustment	1
18	M10993-1	Spring, Pressure Relief	1

