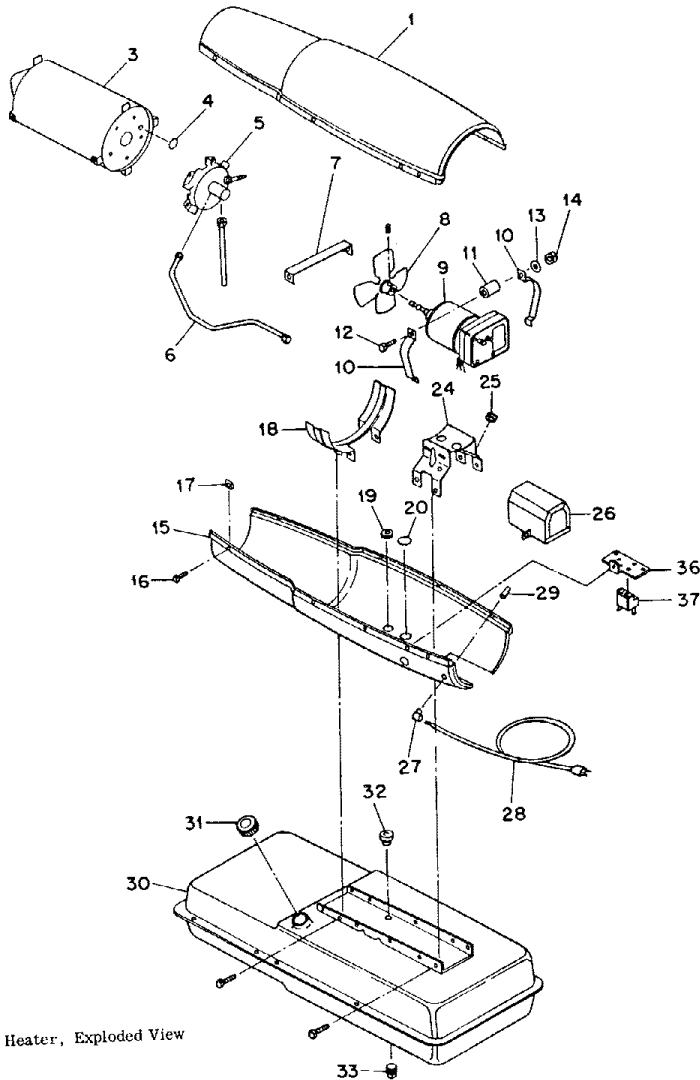


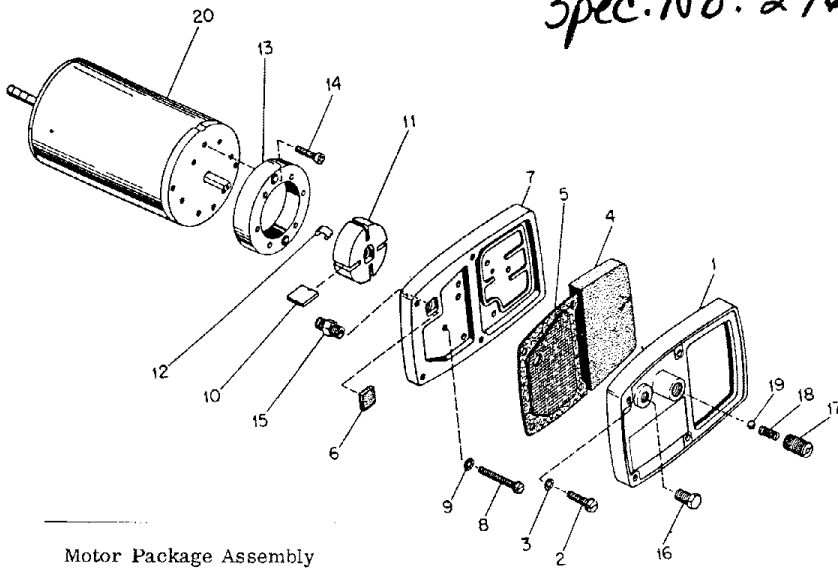
CO-OP MODEL: 85
Spec. No. 2965613



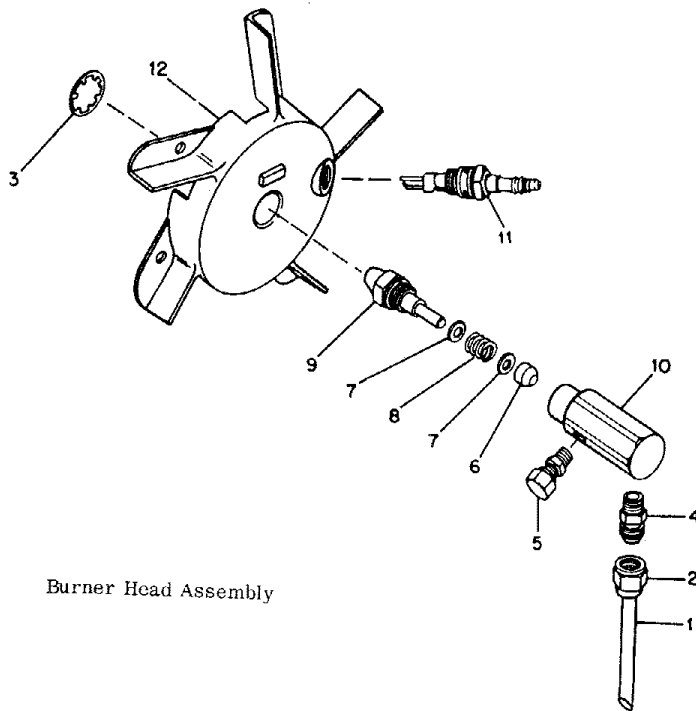
Heater, Exploded View

Index No.	Part Number	Part Name	Quan.
1	M13134G3	Shell, Upper	1
2		Not Used	
3	M16781G2	Combustion Chamber	1
-	M11084-27	Screw, Self-tapping, hex hd, No. 10-12 x 1/2 in., Type A (Combustion Chamber attaching, front)	2
-	M11084-29	Screw, Self-tapping, hex hd, No. 10-12 x 3/4 in., Type A (Combustion Chamber attaching, rear)	2
4	M15995	Plug Button	1
5	Ref.	Burner Head Assembly (See Figure 14)	1
-	M11084-27	Screw, Self-tapping, hex hd, No. 10-12 x 1/2 in., Type A (Burner Head to Combustion Chamber)	3
6	M16879	Air Line	1
7	M15807	Strap, Retainer	1
-	M11084-27	Screw, Self-tapping, hex hd, No. 10-12 x 1/2 in., Type A (Retainer Strap to Lower Shell)	2
8	M14529	Fan, 16° Pitch	1
-	SF-4-2-1/2K	Setscrew, Soc. hd., cup pt, 1/4-28 (Fan to Motor Shaft)	2
9	Ref	Motor Package Assembly (See Figure 15)	1
10	M16661	Clamp, Motor	4
11	M13620	Spacer, Motor Clamp	2
12	HC4-10C	Screw, Hex hd, 1/4-20 x 1-1/4 in., (Motor Clamps)	2
13	WLM-4	Lockwasher, 1/4 in., (Motor Clamps)	2
14	NPC-4C	Nut, Hex, 1/4-20 (Motor Clamps)	2
15	M16777	Shell, Lower	1
16	M11084-27	Screw, Self-tapping, hex hd, No. 10-12 x 1/2 in., Type A (Upper Shell to Lower Shell)	6
17	M11271-6	Nut, Timmerman (Upper Shell to Lower Shell)	6
18	M12330	Bracket, Shell Support	1
-	M11084-27	Screw, Self-tapping, hex hd, No. 10-12 x 1/2 in., Type A (Support Bracket to Lower Shell and Fuel Tank)	4
-	M11084-29	Screw, Self-tapping, hex hd, No. 10-12 x 3/4 in., Type A (Lower Shell to Support Bracket)	2
19	1000576	Grommet (Ignition Cable to Lower Shell)	1
20	M15809	Plug Button	1
21		Not Used	
22		Not Used	
23		Not Used	
24	M16646	Bracket, Motor Support	1
-	M11084-27	Screw, Self-tapping, hex hd, No. 10-12 x 1/2 in., Type A (Motor Bracket to Lower Shell and Fuel Tank)	6
25	1000576	Grommet (Motor and Capacitor leads thru Motor Bracket)	2
26	M16697	Transformer (Alternate: M17795, M16884)	1
-	M11084-27	Screw, Self-tapping, hex hd, No. 10-12 x 1/2 in., Type A (Transformer to Motor Bracket)	2
27	M11954	Bushing, Strain Relief (Service Cord)	1
28	M16813C33	Extension (Service Cord)	1
29	M13942-4	Connector (Wire nut)	2
-	M9900G62	Wire Assy (to Capacitor)	1
30	M16797G1	Fuel Tank	1
31	M3353	Cap, Fuel Tank	1
32	M10990-3	Bushing, Rubber, (Fuel Filter/Fuel Tank)	1
33	M13990	Plug, Pipe, 1/4 in., Sq. hd. (Fuel Tank drain)	1
34		Not Used	
35		Not Used	
36	M11952	Bracket, Starting Relay Mounting	1
-	M11084-27	Screw, Self-Tapping, Hex hd., No. 10-12 x 1/2 in., Type A (Relay Mounting Bracket to Lower Shell)	1
37	M12462-5	Starting Relay (Alternate: M12462-2)	1
-	RC2-2C	Screw, Rd. hd., No. 8-32 x 1/4 in. (Starting Relay to Mounting Bracket)	2
-	W11-2	Lockwasher, No. 8	2
-	ST2-2AC	Screw, Rd. hd., No. 8-15 x 1/4 in. (Grounding)	1

CO-OP MODEL: 85 Spec. No. 2965G13



Motor Package Assembly



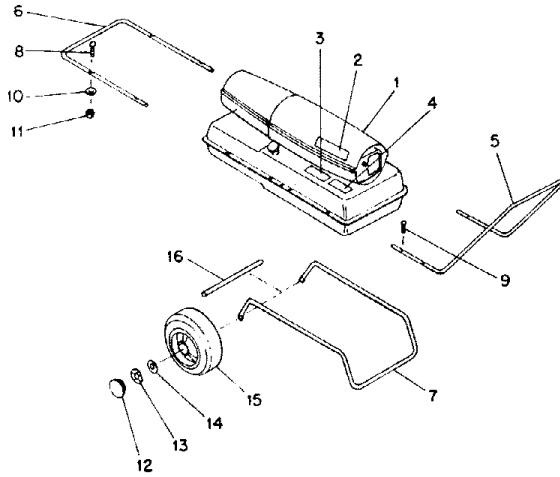
Burner Head Assembly

Index No.	Part Number	Part Name	Quantity
-	M18146G1	<u>Motor Package Assembly</u> (Alternate: M16783G1)	1
-	M16886G1*	<u>Pump and Filter Parts Package</u>	1
1	M16545	.. End Cover	1
2	M12461-31*	.. Screw, Hex hd, 10-32 x 1 in.	4
3	WLI-3*	.. Lockwasher, Internal No. 10	4
4	M12179*	.. Intake Filter	1
5	M12244G1*	.. Filter Assy	1
6	M11637*	.. Filter, Lint	1
7	M12233	.. End Cover, Pump (Port plate)	1
8	M12461-32*	.. Screw, Hex hd, 10-32 x 1-1/8 in.	6
9	WLI-3*	.. Lockwasher, Internal No. 10	6
10	M8643	.. Blade	4
11	M11959	.. Rotor	1
12	M11966-5	.. Spring	1
13	M8645	.. Pump Body	1
14	FHPF3-4C*	.. Screw, Fil hd, 10-32 x 1/2 in.	2
15	M5976	.. Connector, Male	1
16	M10837	.. Pipe Plug	1
17	M10992-1	.. Screw, Pressure Adjustment	1
18	M10993-1	.. Spring, Compression	1
19	M8940	.. Ball, 1/4 in. dia.	1
20	M17941	Motor (Alternate: M11938, used with Part No. M16783G1 Motor Package Assy.)	1
-	M8608	.. End Shield, Motor (Pump-end)	1
-	M17316	.. End Shield, Front (Fan-end)	1

Index No.	Part Number	Part Name	Quantity
1	M16786G2	Burner Head Assembly	1
1	M16789G2	.. Filter Assy, Fuel (Alternate: M16790-2 and M17460)	1
2	M13849	.. Nut, Flared	1
3	M16741-18	.. Ring, Retaining	1
-	M16787G4	.. Nozzle Adapter Assy	1
4	M16791	.. Connector, Male	1
5	M5976	.. Connector, Male	1
6	M8882	.. Sleeve, Nozzle Seal	1
7	M10659-1	.. Washer, Nozzle Seal	2
8	M10809-1	.. Spring, Nozzle Seal	1
9	M18048	.. Nozzle	1
10	M16535	.. Adapter, Nozzle	1
11	M16895G1*	.. Spark Plug Assy	1
12	M16534	.. Body, Burner Head	1

* Parts recommended for normal service replacement.

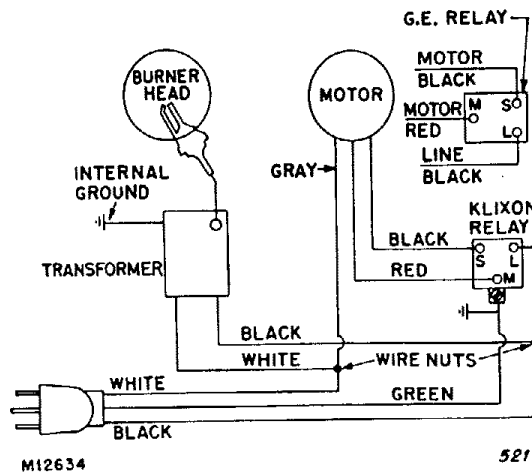
CO-OP MODEL: 85
Spec. No. 2965G13



Wheels, Handles, Markings

Index No.	Part Number	Part Name	Quan.
1	M12634	Decal, Wiring Diagram (inside Upper Shell)	1
2	M17516	Decal, Trade Name	2
-	M17081	Decal, Atomaster	1
3	M17535	Decal, Private Label	1
4	M17134	Decal, Nameplate and Operation Instructions	1
5	M15131	Handle, Rear	1
6	M15308	Handle, Front	1
7	M12342	Frame, Wheel Support	1

Index No.	Part Number	Part Name	Quan.
8	M12345-31	Screw, Oval hd. mach., No. 10-24 x 1-1/4 in.	2
9	M12345-34	Screw, Oval hd, mach., No. 10-24 x 2 in.	8
10	WP-3C	Washer, Flat, No. 10	2
11	NTC-3C	Nut, No. 10-24, Torque-Lock	10
12	M16802	Hub Cap	2
13	M16741-15	Ring, Retaining	2
14	WP-8C	Washer, Flat, 1/2 in.	2
15	M16746	Wheel	2
16	M16801	Axle	1



M12634

521

Wiring Diagram