

CO-OP C140

BASIC HEATER ASSEMBLY

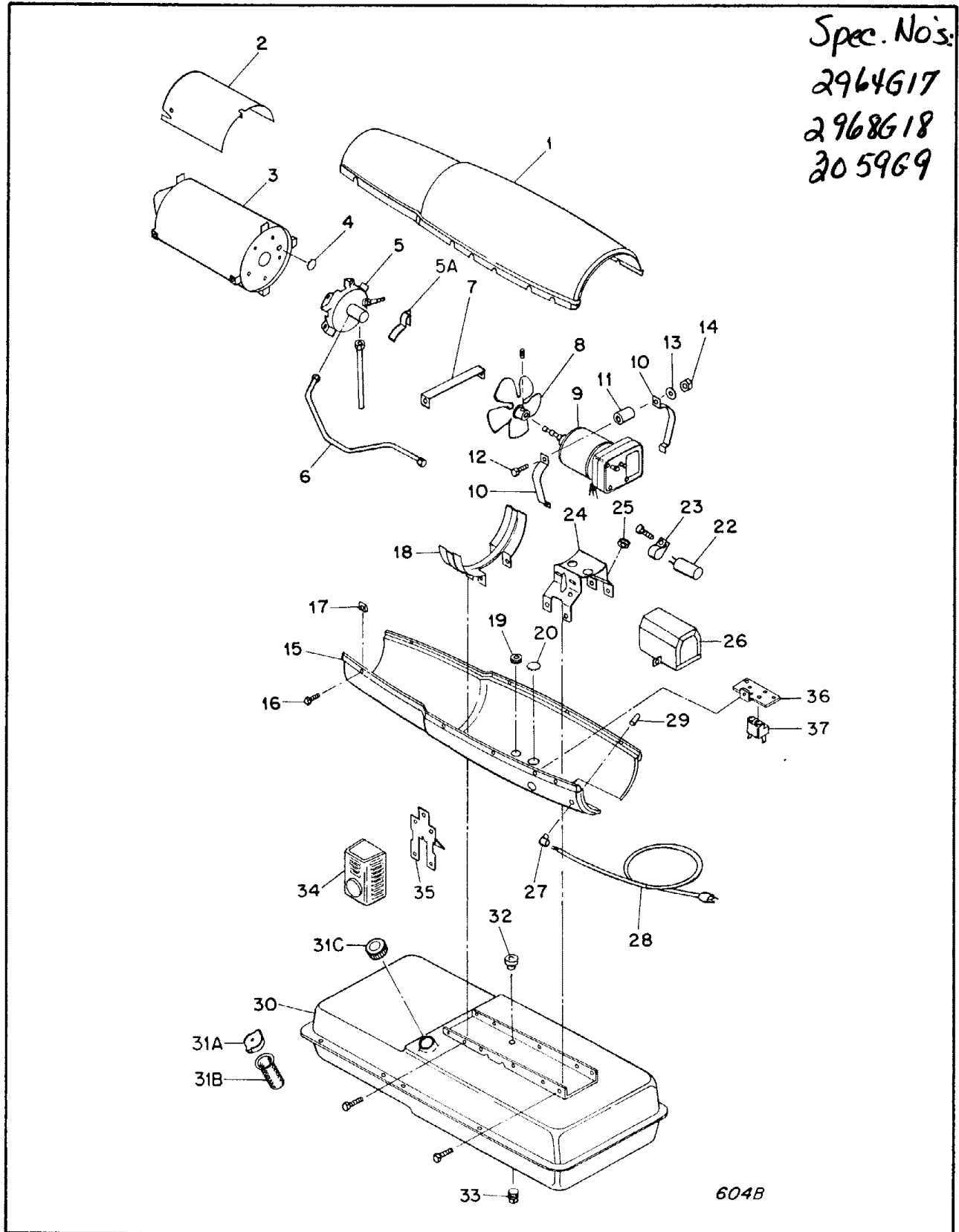


Figure 13. Portable Heater, Exploded View

CO-OP MODELS: C140

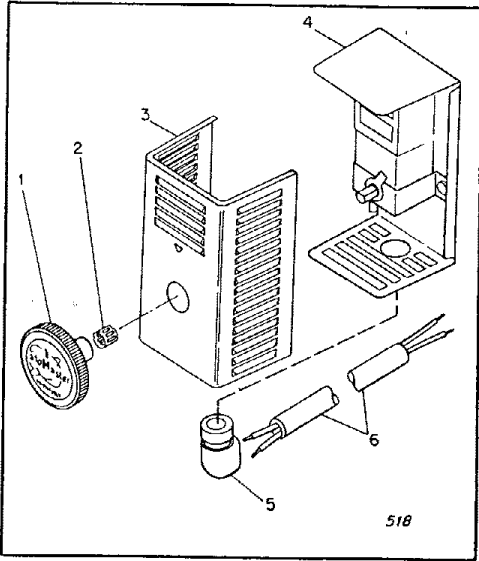
PARTS LIST FOR FIGURE 13, BASIC HEATER ASSEMBLY

Index No.	Part Number	Part Name or Description	Ref. Notes	Quan.
1	M17015G1F	Shell, Upper	¢	1
2	M16679	Deflector, Heat		1
3	M16887G5	Combustion Chamber		1
-	M11084-27	Screw (Combustion Chamber attaching, front)	*\$	2
-	M11084-29	Screw (Combustion Chamber attaching, rear)	*\$	2
4	M15995	Plug Button (Rear head of Combustion Chamber)		1
5	Ref.	<u>Burner Head Assembly</u> (See Figure 14)	@	1
-	M11084-27	Screw (Burner Head to Combustion Chamber)	*\$	3
5A	M19488	Limitter, Air		1
6	M16804	Air Line	@	1
7	M16871	Strap, Retainer		1
-	M11084-27	Screw (Retainer Strap to Lower Shell)	*\$	2
8	M17058	Fan, 16° Pitch		1
-	SF4-2-1/2K	Setscrew, Soc. hd., cup pt, 1/4-28 (Fan to Motor Shaft)		2
9	Ref.	<u>Motor Package Assembly</u> (See Figure 15)	@	1
10	M16661	Clamp, Motor		4
11	Not Used			
12	HC4-10C	Screw (Motor Clamps)	*\$	2
13	WLM-4	Lockwasher, 1/4 in. (Motor Clamps)	\$	2
14	NPC-4C	Nut, Hex, 1/4-20 (Motor Clamps)		2
15	M16810F	Shell, Lower	¢	1
16	M11084-27	Screw (Upper Shell to Lower Shell)	*\$	8
17	M11271-6	Nut, Tinnerman (Upper Shell to Lower Shell)	\$	8
18	M12828A	Bracket, Shell Support		1
-	M11084-27	Screw (Support Bracket to Lower Shell and Fuel Tank)	*\$	6
-	M11084-29	Screw (Lower Shell to Support Bracket)	*\$	2
19	1000576	Grommet (Ignition Cable thru Lower Shell; Thermostat Leads thru Lower Shell)		3
20	M15809	Plug Button (for 1/2" dia. hole)		1
21	Not Used			
22	M12650-1	Capacitor		1
23	M12651	Clamp, Tinnerman (Capacitor Mounting)		1
-	M11084-27	Screw (Capacitor Clamp to Motor Support Bracket)	*\$	1
24	M16645	Bracket, Motor Support		1
-	M11084-27	Screw (Motor Support Bracket to Lower Shell and Fuel Tank)	*\$	6
25	1000577	Grommet (Motor and Capacitor Leads thru Motor Support Bracket)		2
-	M15823-26	Screw (Service Cord grounding to Motor Support Bracket)	*\$	1
26	M16697	Transformer, 5000-Volt (G-E)	@	1
	M16884	Transformer (Union) (Alternate for M16697)	@	
	M17795	Transformer (Jefferson) (Alternate for M16697)	@	
-	M11084-27	Screw (Transformer to Motor Support Bracket)	*\$	2
27	M11954	Bushing, Strain Relief (Service Cord to Lower Shell)		1
28	M10813G33	Service (Extension) Cord		1
29	M13942-2	Connector (Wire Nut) approx		

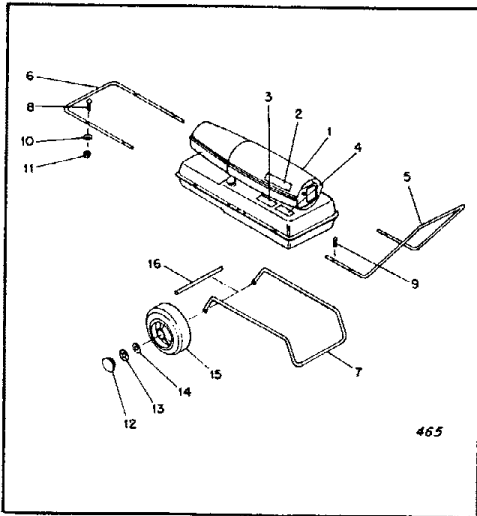
Index No.	Part Number	Part Name or Description	Ref. Notes	Quan.
	M13942-4	Connector (Wire Nut), approx. 7/8 in. long	\$	2
-	M9900G51	Wire Assy (to Capacitor) (Spec. 2964 Heaters)		1
-	M9900G77	Wire Assy (to Capacitor) (Spec. 2968 Heaters)		1
30	M16806G1	Fuel Tank (Small filler neck uses M18051 Cap and M18053 Screen. See Note 1.)	¢	1
	M18371G2E	Fuel Tank (Large filler neck uses M18051 Cap and M18053 Screen. See Note 1.)	¢	1
31A	M18051	Cap, Fuel Tank (for large filler neck)		1
31B	M18053	Screen, Filler Neck (for large filler neck)		1
31C	M3353	Cap, Fuel Tank (small filler neck)		1
32	M10990-3	Bushing, Rubber (Fuel Filter into Fuel Tank)		1
33	M21040	Plug, Pipe, 1/4 in., Hex hd. (Fuel Tank Drain)		1
34	Ref.	<u>Thermostat Assy</u> (See Figure 16)		1
-	M10908-1	Screw (Thermostat to Bracket)	*\$	4
35	M15814F	Bracket, Thermostat		1
-	M12461-51	Screw (Thermostat Bracket to Lower Shell)	*\$	2
-	M12250-1	Nut, Tinnerman, No. 10-24 (Thermostat Bracket to Lower Shell)	&	2
-	M18598G1	Relay and Bracket Assy	&	1
36	M11952	Bracket, Starting Relay Mounting	&	1
-	M11084-27	Screw (Relay Mounting Bracket to Lower Shell)	*\$	1
37	M12462-6	Relay, Starting	&	1
-	RC2-2C	Screw (Starting Relay to Mounting Bracket)	*	2
-	WLI-2	Lockwasher, Internal No. 8		2
-	ST2-2AC	Screw (Grounding Cover, Motor Package)	*	2
-	M17521	(Not Shown)		1
-	M9900G62	Wire Assy (Spec. 3059G9)		1

* See Listing of Standard Hardware, Page 23, for description.
 ¢ Specify color when ordering painted parts.

@ Parts recommended for normal replacement by owner or user.
 \$ Standard Hardware - procurable locally in most areas.



Thermostat Assembly



Handles, Wheels, Markings

ETHERMOSTAT ASSEMBLY

Index No.	Part Number	Part Name or Description	Ref. Notes	Quan.
-	M16143	Thermostat Assy (See Fig. 13, Index No. 34)		1
-	M18016G1	Thermostat Assy (Less Cable)		1
1	M16152	Knob, Thermostat		1
2	M16154	Spring, Thermostat Knob		1
3	M16147	Cover, Thermostat		1
4	M18021G1	Thermostat Back and Element Assy		1
5	M11954	Bushing, Strain Relief		1
6	M17063G1	Cable Assy		1

WHEELS, HANDLES, MARKINGS

Index No.	Part Number	Part Name or Description	Ref. Notes	Quan.
1	M17232	Wiring Diagram, Spec. 2964G17	(A)	1
1	M17879	Wiring Diagram, Spec. 2968G17 and 3059G9	(A)	1
2	M17516	Decal, Trade Name		2
3	M17535	Decal, Private Label		1
4	M17134	Decal, Nameplate and Operation Instructions		1
-	M17081	Decal, Atomaster		1
5	M15813A	Handle, Rear		1
6	M15812A	Handle, Front		1
7	M12831B	Frame, Wheel Support		1
8	M12345-31	Screw	*	2
9	M12345-34	Screw	*	8
10	WP-3C	Washer, Flat, No. 10	\$	2
11	NTC-3C	Nut, No. 10-24, Torque Lock	\$	10
12	M16802	Hub Cap		2
13	M16741-15	Ring, Retaining		2
14	WP-8C	Washer, Flat, 1/2 in.	\$	2
15	M19294	Wheel		2
16	M16801-2	Axle		1

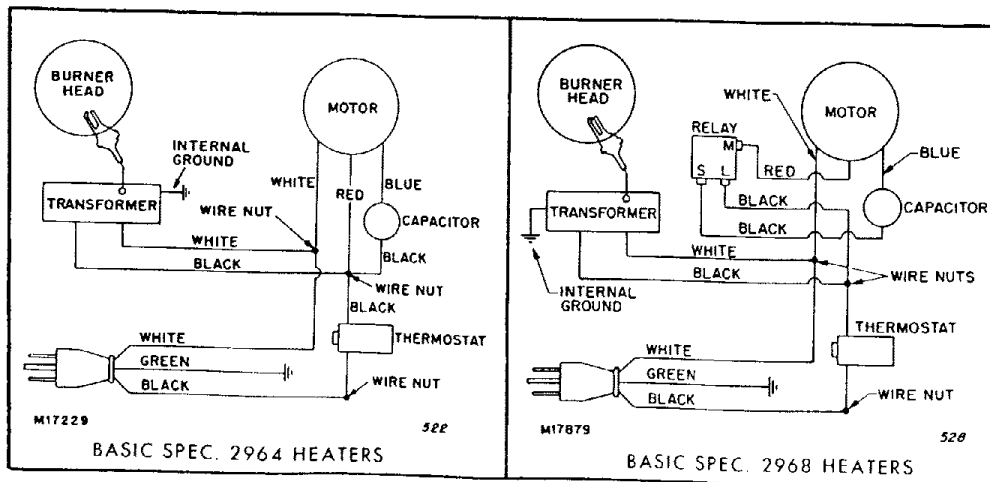
(A) Inside Upper Shell.

STANDARD SCREWS

Part Number	Part Name or Description
FHPF3-7C	Screw, Fillister hd, No. 10-32 x 7/8 in.
HC4-10C	Screw, Hex hd, machine, 1/4-20 x 1-1/4 in.
M11084-27	Screw, Self-tapping, hex hd, No. 10-12 x 1/2 in., Type "A"
M11084-29	Screw, Self-tapping, hex hd, No. 10-12 x 3/4 in., Type "A"
M12345-31	Screw, Oval hd machine, No. 10-24 x 1-1/4 in.
M12345-34	Screw, Oval hd machine, No. 10-24 x 2 in.
M12461-31	Screw, Hex hd, No. 10-32 x 1 in.
M12461-34	Screw, Hex hd, No. 10-32 x 1-1/2 in.
M15823-26	Screw, Self-tapping, hex hd, No. 10-12 x 3/8 in., Type "B"

CO-OP MODEL
C140

Spec. No:
2964G17
2968G18
3059G9



Wiring Diagrams

CO-OP MODEL:

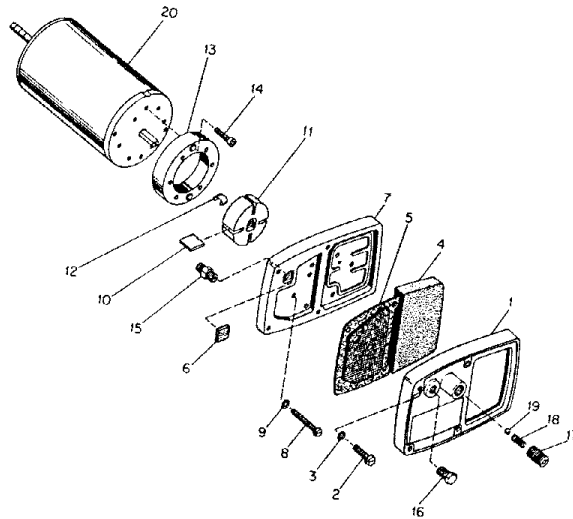
C140

Spec. No:

2964G17

2968G18

3059G9



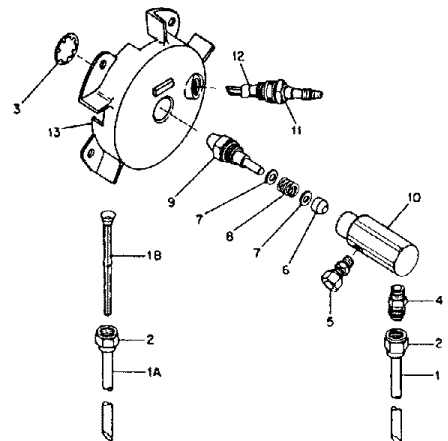
MOTOR PACKAGE ASSEMBLY

Index No.	Part Number	Part Name or Description	Ref. Notes	Quan.	Index No.	Part Number	Part Name or Description	Ref. Notes	Quan.
-	M16805G1	Motor Package Assembly (See Fig. 13, Index No. 9)	@&	1	11	M13635-3	Rotor		1
-	M17875G1	Motor Package Assembly (See Fig. 13, Index No. 9)	@&&	1	12	M14856	Spring		1
-	M16675G2	Pump and Filter Parts Package		1	13	M8645-3	Pump Body		1
1	M16545	End Cover, Filter		1	14	FHPF3-7C	Screw (Pump Body to Motor)	*§	2
2	M12461-31	Screw (Filter End Cover to Pump End Cover)	*§	4	15	M5976	Connector, Male		1
3	WLI-3	Lockwasher, Internal, No. 10	\$	4	16	M10837	Pipe Plug, Hex hd.		1
4	M12179	Intake Air Filter	@	1	17	M10992-1	Screw, Pressure Adjustment		1
5	M12244G1	Output Filter Assy	@	1	18	M10993-1	Spring, Compression (Pressure Relief)		1
6	M11637	Filter, Lint	@	1	19	M8940	Ball, 1/4 in. dia.		1
7	M12233	End Cover, Pump (Port Plate)		1	20	M12811	Motor	&	1
8	M12461-34	Screw (End Cover to Motor)	*§	6		M17814	Motor	&&	1
9	WLI-3	Lockwasher, Internal, No. 10	\$	6	-	M8608	End Shield, Motor (Pump-end)		1
10	M8643-3	Blade		4	-	M17316	End Shield, Front (Fan-end) (For M17814 motors)		1
					-	M17327	End Shield, Front (Fan-end) (For M12811 motor only)		1

* See Listing of Standard Screws, Page 23, for description.
 @ Parts recommended for normal replacement by owner or user.
 § Standard Hardware - procurable locally in most areas.
 & Basic Spec. 2937 Heaters only.
 && Spec. 2960 and 3059 Heaters.

BURNER HEAD ASSEMBLY

Index No.	Part Number	Part Name or Description	Ref. Notes	Quan.
-	M16803G3	Burner Head Assembly (See Fig. 13, Index No. 5)	@	1
1	M16789G3	Filter Assy, Fuel	@	1
1A	M16790-3	Filter Tube	çç@	(1)
1B	M19630	Filter, Fuel	çç@	(1)
2	M13849	Nut, Flare		1
3	M16741-18	Ring, Retaining		1
-	M16787G3	Nozzle Adapter Assy		1
4	M16791	Connector, Male		1
5	M5976	Connector, Male		1
6	M8882	Sleeve, Nozzle Seal		1
7	M10659-1	Washer, Nozzle Seal		2
8	M10809-1	Spring, Nozzle Seal		1
9	M18022	Nozzle, Aspirating, 1.0 gph		1
10	M16535	Adapter, Nozzle		1
11	M16895G1	Spark Plug Assy (Not available separately)	@	1
13	M18023	Body, Burner Head		1



412D

@ Parts recommended for normal replacement by owner or user.
 çç Set of parts supersedes M16789G3.