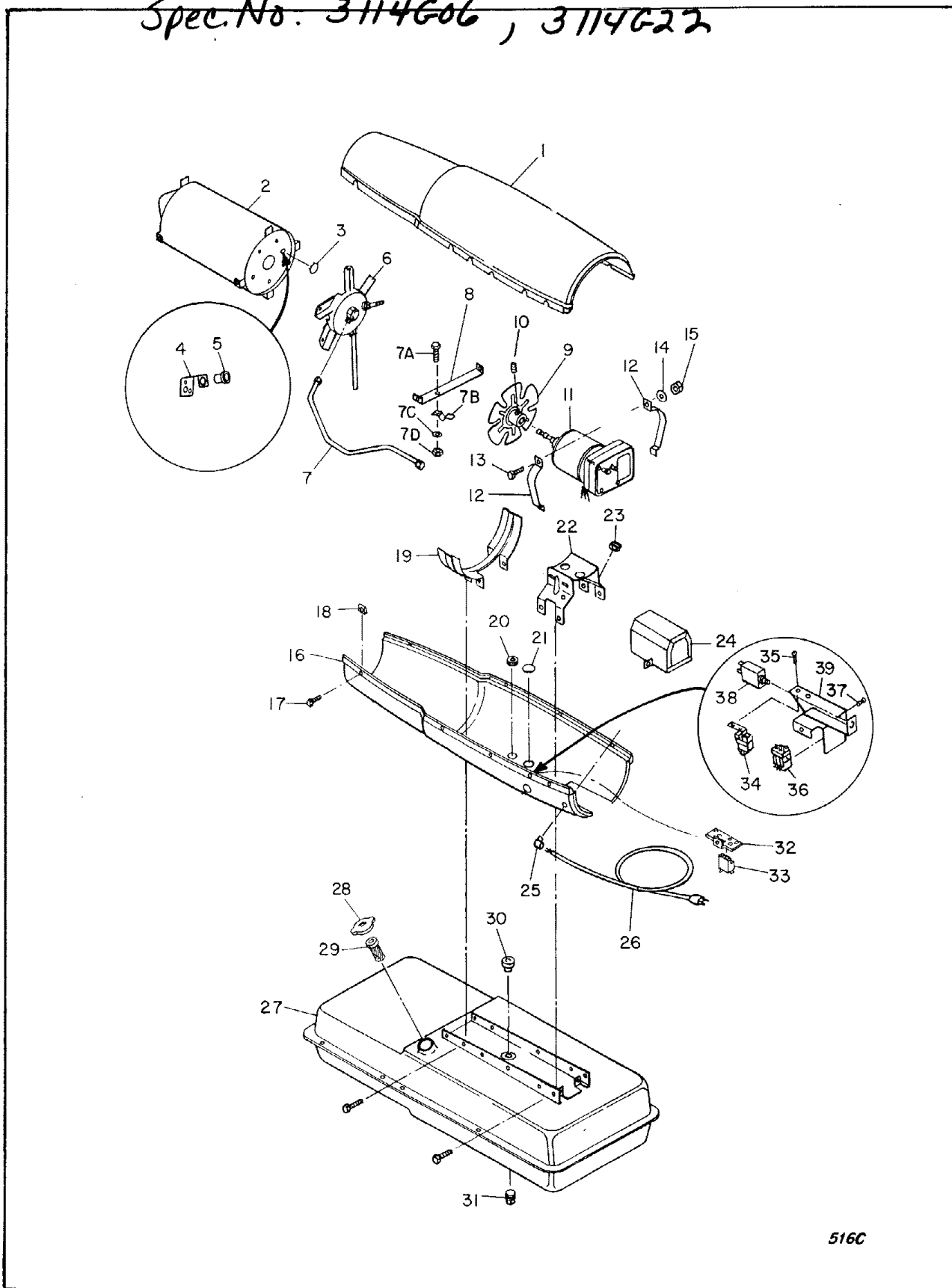


CU-UP MODELS: C100, C100S
Spec. No. 3114606, 3114622

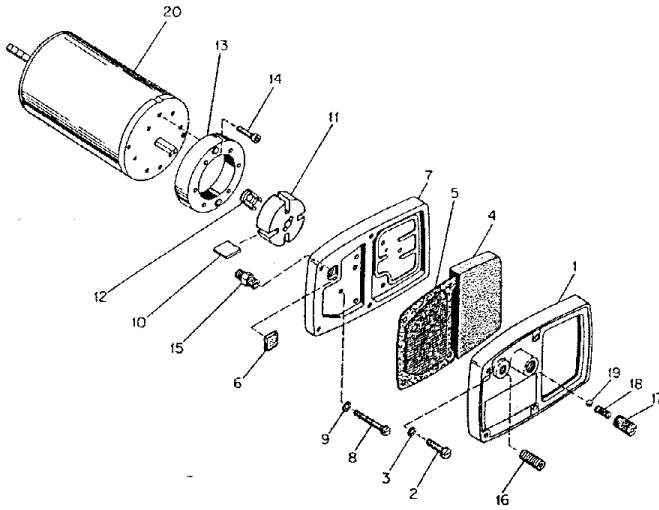


516C

Figure 13 Heater Exploded View

CO-OP MODELS: C100, C100S

SPEC. NO. 3114G06,
3114622

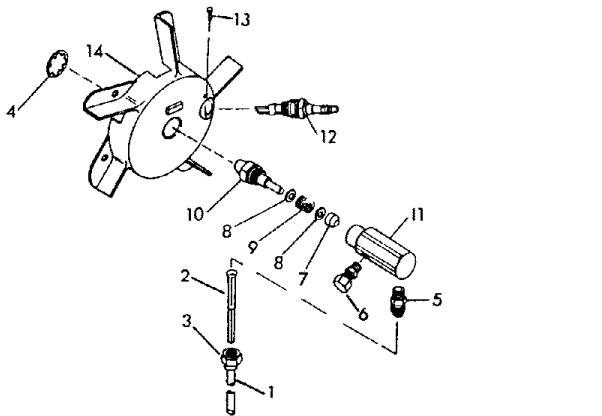


Motor Package Assembly

Fig. 16

Index No.	Part Number	Part Name	Qty.
-	M23149-1	Motor Package Assembly	1
1	M16545	. End Cover, Filter	1
2	M12461-31*	. Screw (Filter End Cover to Pump End cover)	4
3	WLI-3	. Lockwasher, Internal No.10	4
4	M12179	. Intake Air Filter	1
5	M12244-1	. Output Filter Assy	1
6	M11637	. Filter, Lint	1
7	M12233	. Front Cover, Pump (Port Plate)	1
8	M12461-32*	. Screw (End Cover to Motor)	6
9	WLI-3	. Lockwasher, Internal No.10	6
10	M8643	. Blade	4
11	M22456-1	. Rotor	1
12	M22009	. Insert	1
13	M8645	. Pump Body	1
14	FHFP3-4C	. Screw (Pump Body to Motor)	2
15	M5976	. Connector, Male	1
16	M22997	. Plug	1
17	M23105	. Screw, Pressure Adjustment	1
18	M10993-1	. Spring, Compression (Pressure Relief)	1
19	M8940	. Ball, 1/4 in. dia.	1
20	M23107-1	. Motor	1

* Standard hardware. Purchase locally.



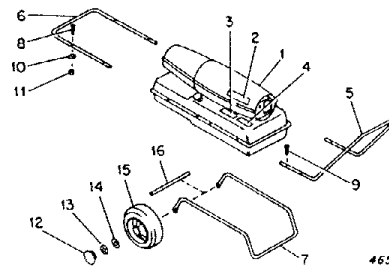
BURNER HEAD ASSEMBLY

Fig. 14

Index No.	Part Number	Part Name	Qty.
14-	M23150-1	Burner Head Assembly	1
1	M16790-2	. Filter Tube	1
2	M19630	. Filter, Fuel	1
3	M13849	. Nut, Flared	1
4	M16741-18	. Ring, Retaining	1
	M23151-1	. Nozzle Adapter Assy	1
5	M16791	. . Connector, Male	1
6	M5976	. . Connector, Male	1
7	M8882	. . Sleeve, Nozzle Seal	1
8	M10659-1	. . Washer, Nozzle Seal	2
9	M10809-1	. . Spring, Nozzle Seal	1
10	M23103	. . Nozzle, Aspirating 0.66 GPH	1
11	M16535	. . Adapter, Nozzle	1
12	M16895-1	. Spark Plug Assy	1
13	M12461-51	. Screw	1
14	M16534	. Body, Burner Head	1

Fig. 15

Index No.	Part Number	Part Name	Qty.
-	M22743	Decal, Warning	1
-	M22896	Decal, Name Plate	1
-	M23152-16	Decal, Model (C100S)	1
-	M23152-6	Decal, Model (C100)	1
1	M12634	Decal, Wiring Diagram (inside Upper Shell) (C100)	1
-	M17218	Decal, Wiring (C100S)	1
2	M17137	Decal, Trade Name (C100)	2
-	M24529	Decal, Trade Name (C100S)	1
-	M17081	Decal, Atomaster	1
3	M17535	Decal, Private Label	1
4	M17134	Decal, Nameplate and Operation Instructions	1
5	M15131A	Handle, Rear	1
6	M15808A	Handle, Front	1
7	M12342B	Frame, Wheel Support	1
8	M12345-31	Screw, Oval hd., Mach., No. 10-24 x 1-1/4 in.	2
9	M12345-34	Screw, Oval hd., Mach., No. 10-24 x 2 in.	8
10	WP-3C	Washer, Flat, No. 10	2
11	NTC-3C	Nut, No. 10-24, Torque-Lock	10
12	M16802	Hub Cap	2
13	M16741-15	Ring, Retaining	2
14	WP-8C	Washer, Flat, 1/2 in.	2
15	M19294	Wheel	2
16	M16801	Axle	1
TOUCH-UP PAINT			
	M23353-9	Paint, White, Aerosol Can	
	M23353-10	Paint, Black, Aerosol Can	



Wheels, Handles, Markings

CO-OP MODELS: C100, C100S

SPEC. NO. 3114606, 3114622

Model C100 and C100S Heaters General Assembly

Fig. 13					
Index No.	Part Number	Part Name	C100	C100S	
1	M13134-3F	Shell, Upper	1	1	
2	M16781-4	Chamber, Combustion	1	1	
	M11084-27*	Screw (Combustion Chamber attaching front)	2	2	
	M11084-29*	Screw (Combustion Chamber attaching rear)	2	2	
3	M15995	Plug, Button (Combustion Chamber rear head)	1	-	
4	M16660	Bracket, Photocell	-	1	
	M10908-1*	Screw (Photocell Bracket to Combustion Chamber rear head)	-	2	
5	M16656-1	Cell and Bushing Assy	-	1	
6	Ref.	Burner Head Assembly (See figure 14)	1	1	
	M11084-27*	Screw (Burner Head to Combustion Chamber)	3	3	
7	M16879	Air Line	1	1	
7A	M12461-27	Screw, Slotted hex hd., No. 10-32 x 1/2 in.	-	1	
7B	M24717	Clamp, Tube	-	1	
7C	WLM-3	Lockwasher, No. 10	-	1	
7D	NPF-3C	Nut, Plain No. 10-32	-	1	
8	M15807	Strap, Retainer	1	1	
	M11084-27*	Screw (Retainer Strap to Lower Shell)	2	2	
9	M23147	Fan	1	1	
10	SF4-2-1/2K	Setscrew, Soc. Hd., cup pt., 1/4-20 (Fan to Motor Shaft)	2	2	
11	Ref.	Motor Package Assembly (See figure 16)	1	1	
12	M16661	Clamp, Motor	4	4	
13	HC4-10C*	Screw (Motor Clamps)	2	2	
14	WLM-4*	Lockwasher 1/4 in. (Motor Clamps)	2	2	
15	NPC-4C*	Nut, Hex, 1/4-20 (Motor Clamps)	2	2	
16	M16777F@	Shell, Lower	1	1	
17	M11084-27*	Screw (Upper Shell to Lower Shell)	6	6	
18	M11271-6*	Nut, Tinnerman (Upper Shell to Lower Shell)	6	6	
19	M12330A	Bracket, Shell Support	1	1	
	M11084-27*	Screw (Support Bracket to Lower Shell and Fuel Tank)	4	4	

*Standard hardware.
@Specify Color when ordering painted parts.

Fig. 13					
Index No.	Part Number	Part Name	C100	C100S	
	M11084-29*	Screw (Lower Shell to Support Bracket)	2	2	
20	1000576	Grommet (ignition cable thru Lower Shell)	2	3	
21	M15809	Plug, Button (17/32 in. dia. hole)	1	-	
22	M16646	Bracket, Motor Support	1	1	
	M11084-27*	Screw (Motor Support Bracket to Lower Shell and Fuel tank)	6	6	
23	1000576	Grommet (Motor Leads thru Motor Support Bracket)	1	1	
24	M16697	Transformer, 5000 Volt	1	1	
	M11084-27	Screw (Transformer to Motor Support Bracket)	2	2	
25	M11954	Bushing, Strain Relief (Service Cord to Lower Shell)	1	1	
26	M10813-33	Cord Assembly, Extension	1	-	
26	M10813-34	Cord Assembly, Extension	-	1	
27	M18360-4E	Tank Assembly, Fuel	1	1	
28	M23284	Cap, Fuel Tank	1	1	
29	M18053	Screen, Filler neck	1	1	
30	M10990-3	Bushing, Rubber (Fuel Filter into Fuel Tank)	1	1	
31	M21040	Plug, Pipe, Hex hd., 1/4-18	1	1	
32	M11952	Bracket, Starting Relay Mtg.	1	-	
33	M12462-9	Relay, Starting	1	-	
	RC2-2C*	Screw (Starting Relay to Mounting Bracket)	2	-	
	WLI-2	Lockwasher, Internal No. 8	2	-	
	ST2-2AC	Screw (Grounding)	1	1	
	M11084-27	Screw (Relay Bracket to Shell)	1	1	
	M16862-5	Relay Bracket Assembly	-	NA	
34	M12462-9	Relay	-	1	
35	RC2-2C*	Screw (Relay to Relay Brkt)	-	2	
36	M14378-2	Relay Assembly	-	1	
37	M12461-2*	Screw (Relay to Relay Brkt)	-	1	
38	M14360	Breaker, Circuit	-	1	
39	M16851-1	Bracket Assembly, Control	-	1	
	M9900-62	Wire Assembly, Black (To Starting Relay)	1	-	
	M9900-80	Wire Assembly (To Breaker)	-	1	
	M16615-1	Harness Assembly	-	1	
	M13942-2	Connector (Cell and Bushing and Relay to Circuit Breaker)	-	3	
	M13942-4	Connector (Relay Leads)	2	2	

