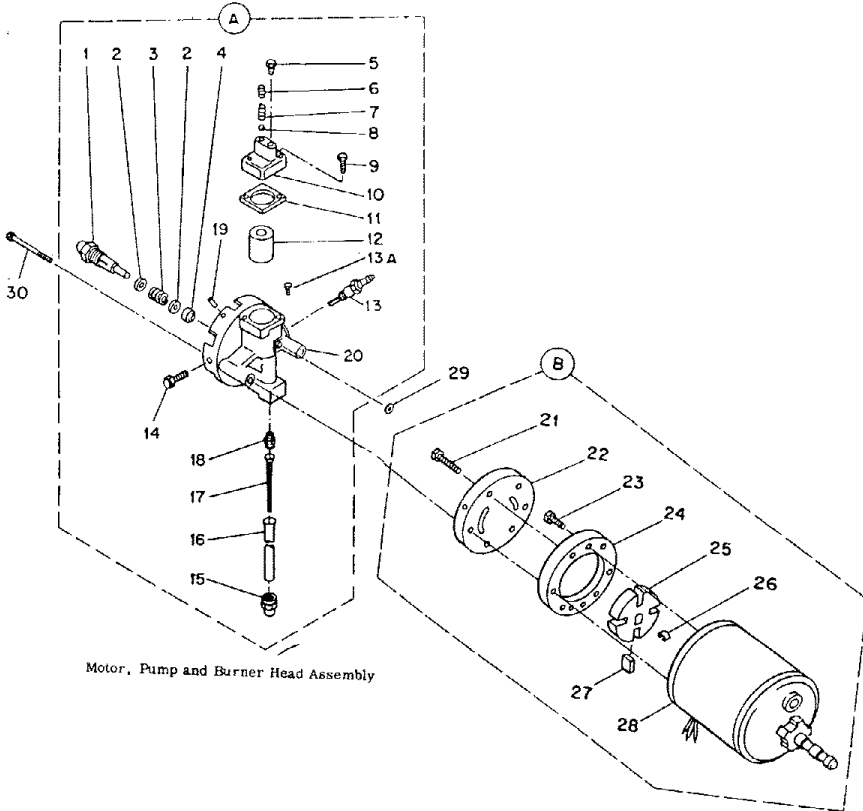


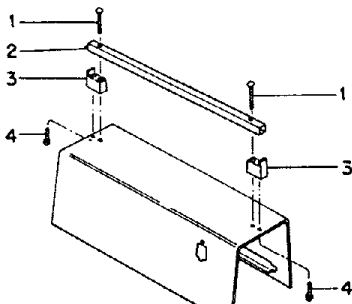
CO-OP MODEL: C65, C65S
 Spec. No. 3113G06 AND 3113G21



Motor, Pump and Burner Head Assembly

Index No.	Part Number	Part Name or Description	Quan.
	M19115-5	Motor, Pump and Burner Head Assy	1
(A)	M19113-2	Burner Head Assy	1
1	M13960	Nozzle, Siphon	1
2	M10659-1	Washer, Nozzle seal	2
3	M10809-1	Spring, Nozzle seal	1
4	M8882	Sleeve	1
5	M22997	Plug, Socket thd	1
6	M23105	Screw, Adjusting	1
7	M10993-1	Spring, Pressure relief	1
8	M8940	Ball	1
9	*M12461-54	Screw, Hex hd, No. 10-24 x 7/8 in.	2
10	M12576	Body Valve	1
11	M12577	Gasket	1
12	M15241	Output Filter Element	1
13	M16895-1	Spark Plug Assy	1
13A	RC2-4	Screw, Rd hd No. 8-32 x 1/2	1
14	*M10908-38	Screw, No. 12-24 x 3/8 in., Type S	1
15	M13849	Nut, Flared	1
16	M16790	Tube, Fuel Filter	1
17	M19630	Filter, Fuel	1
18	M16791	Connector, Male	1
19	ROP12-8	Roll Pin	4
20	M19112	Body, Burner Head	1
(B)	M19114-1	Motor and Pump Assy	1
21	*FHFP3-8C	Screw, Fil. hd., No. 10-32 x 1/2 in.	4
22	M12430	End cover pump	1
23	*FHFP3-4C	Screw, Fil. hd., No. 10-32 x 1/2 in.	2
24	M8645	Pump Body	1
25	M22456-1	Pump Rotor	1
26	M22009	Insert, Pump Rotor	1
27	M8643	Blade	1
28	M17941	Motor	1
29	M13372	Seal (O-Ring)	1
30	*FHFP3-20C	Screw, Fil. hd., No. 10-32 x 2-1/2 in.	2

*Standard hardware - Obtain locally.



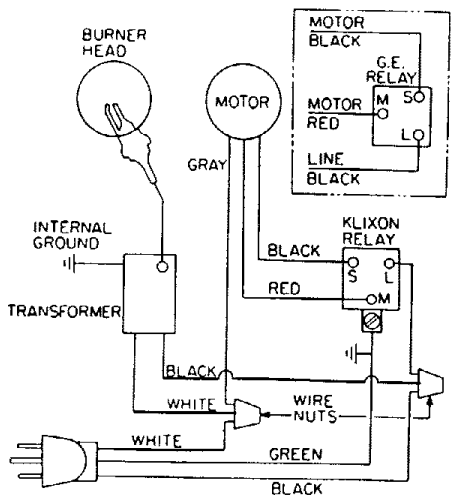
470-1

Handle Arrangement

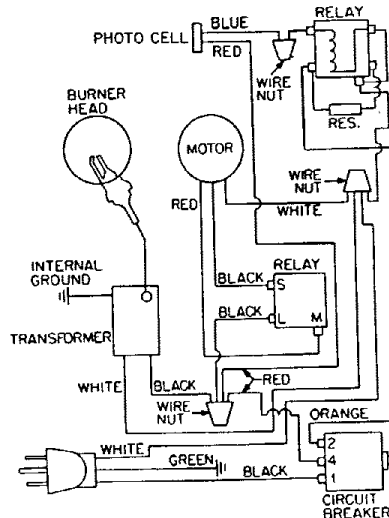
HANDLE ARRANGEMENT

Index No.	Part Number	Part Name or Description	Notes	Quan.
1	*RPC4-18C	Screw, Rd. hd., 1/4-20 x 2-1/4		2
2	M12240-2A	Handle (Square bar)		1
3	M12439L	Support, Handle		1
4	*M10908-58	Screw, Self-tapping, Hex hd., No. 10-24 x 1-1/2 in., Type "S"		2

* Standard hardware - Obtainable locally.

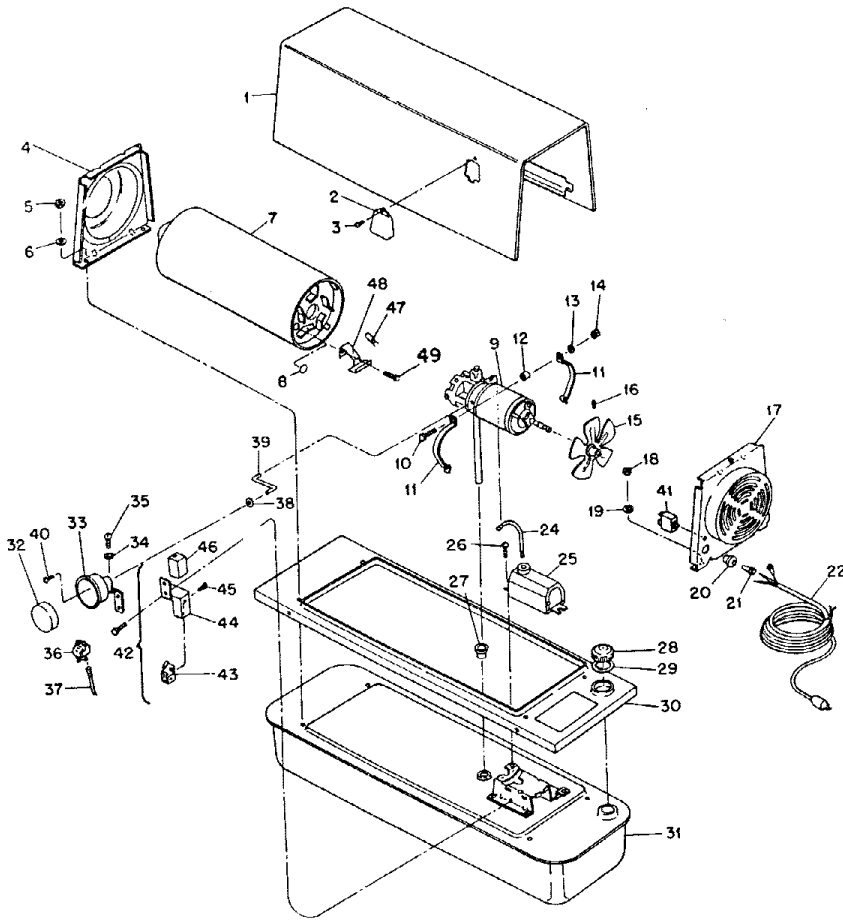


Wiring Diagram for Heaters Without Safety Control



Wiring Diagram for Heaters

CO-OP MODEL: C65, C65S
 Spec. NO. 3113606 & 3113621



Exploded View of General Assembly

Index No.	Part Number	Part Name or Description	Notes	Quan.
14-1	M12436-1F	Housing, Heater		1
2	M12568A	Cover, Filter		1
3	*M10908-2	Screw, Hex hd, slotted No. 6-32 x 3/8 in., Type "S"		1
4	M15767-1F	End Cap and Nose Cone		1
5	*NPC-4C	Nut, Plain hex, 1/4-20		2
6	*WLI-4C	Lockwasher, Internal tooth, 1/4 in.		2
7	M15770-3	Combustion Chamber		1
8	M15995	Plug, Button	#	1
9	Ref.	Motor Pump and Burner Head Assembly (See Figure 15)		1
10	*HC4-10C	Screw, Rd hd., 1/4-20 x 1-1/4 in.		2
11	M16661	Clamp, Motor		4
12		Not Used		
13	*WLM-4C	Lockwasher, 1/4 in.		2
14	*NPC-4C	Nut, Plain hex, 1/4-20		2
15	M20517	Fan		1
16	SFK4-2	Setscrew, Soc hd, cup pt, 1/4-28 x 1/4 in.		2
17	M12427-1F	Fan Guard Assy		1
18	*NPC-4C	Nut, Plain, Hex, 1/4-20		2
19	*WLI-4C	Lockwasher, Internal tooth, 1/4 in.		2
20	M11143-1	Bushing, Strain relief		1
21	M13942-4	Connector, (Wire Nut)		2
22	M10813-37	Cord, Service (Extension)	#	1
	M10813-38	Cord, Service (Extension)	¢	1
23		Not Used		
24	M10816-15	Lead, Electrode		1
25	M15063	Transformer		1
26	*M15823-26	Screw, Hex hd No. 10-12 x 3/8 in., Type "B"		1
27	M10990-3	Bushing, Rubber		1
28	M11151-1	Cap, Fuel tank filler		1
30	M12424F	Skirt, Fuel tank		1
31	M17016-4E	Fuel Tank Assy		1
32	**M11146-1	Element, Intake air filter		1
33	M17018-1	Filter Body and Bracket Assy		1
34	WLI-2C	Lockwasher, No. 8		2
35	*RC-2C	Screw, Rd hd., No. 8-32 x 1/4 in.		1
	*RC2-3C	Screw, Rd hd., No. 8-32 x 3/8 in. (For ground wire)		1
36	M12462-5	Relay, Motor Starting		1
37	M9900-37	Wire Assy (to Relay)		1
38	M13293	Grommet, Rubber		1
39	M12432	Tube, Air intake		1
40	*M11084-27	Screw, Self-tapping, hex hd No. 10-12 x 1/2 in., Type "A"		2
41	M14360	Circuit Breaker	¢	1
42	M14379-2	Relay and Bracket Assy	¢	NA
43	M14378-1	Relay Assy, Control	¢	1
44	M14370	Bracket, Relay	¢	1
45	M12461-2	Screw, Hex hd, No. 6-32 x 3/8 (Relay Mtg.)	¢	1
46	M14983	Dust Cover, Relay	¢	1
47	M16656-1	Photocell and Bushing Assy	¢	1
48	M16660	Bracket, Photocell	¢	1
49	*M10908-1	Screw, Self-tapping, hex hd No. 6-32 x 1/4 in., Type S	¢	1
	M9900-36	Wire Assy, Red	¢	1
	M13942-2	Connector, Wire	¢	1
	M13942-4	Connector, Wire		2
	M24973	Plug, Drain		1
TOUCH-UP PAINT				
	M23353-13	Paint, Aerosol Can, Orange		
	M23353-9	Paint, Aerosol Can, White		
	M23353-10	Paint, Aerosol Can, Black		
DECALS				
	M23158-15	Decal, Model		1
	M16749	Decal, Automatic Safety	¢	1
	M14365	Decal, Wiring	¢	1
	M12634	Decal, Wiring	#	1
	M17081	Decal, Atomaster		1
	M22743	Decal, Warning		1
	M22898	Decal, NP		1

* Standard Hardware - Procure Locally.

C65 Models Only.

¢ C65S Models Only.