

**PORTABLE FORCED AIR  
HEATER**  
*Illustrated Parts List*

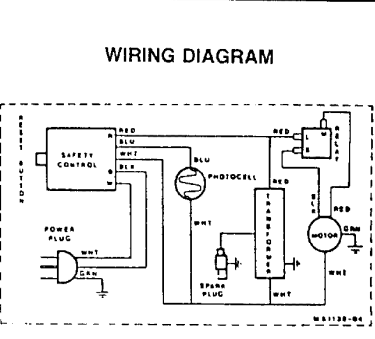
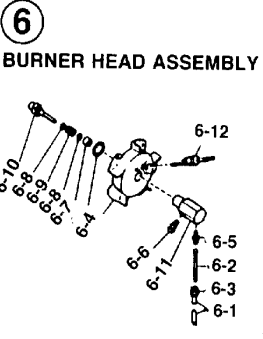
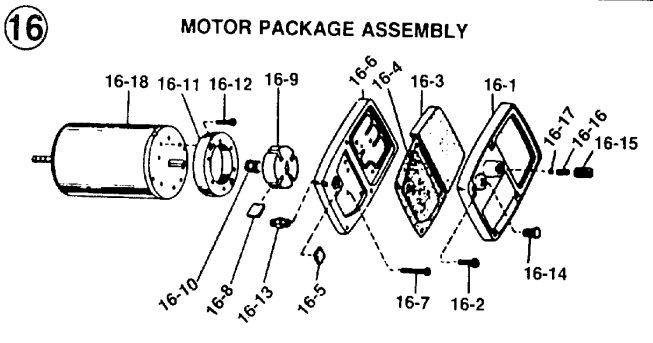
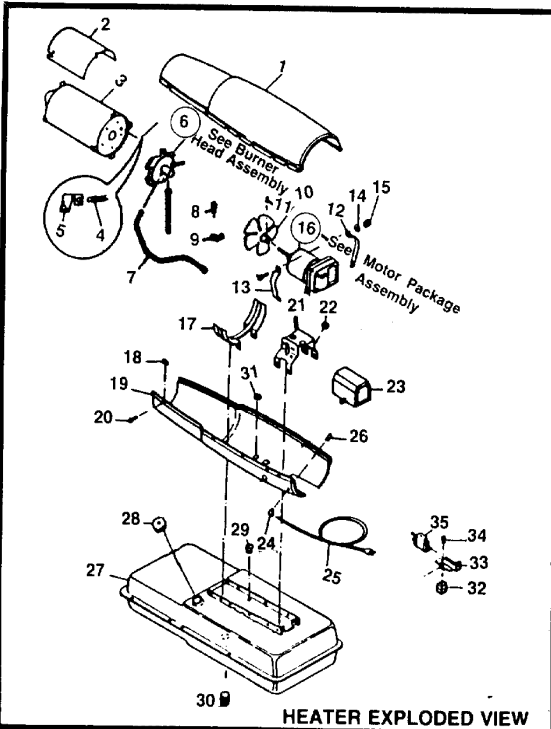
**CO-OP  
HEATER  
C150C**

**IMPORTANT** DO NOT USE KEY NUMBERS WHEN ORDERING SERVICE PARTS. ALWAYS ORDER COMPONENTS BY PART NUMBER AND DESCRIPTION. INCLUDE MODEL AND SERIAL NUMBERS

KEY NO.	PART NO.	PART DESCRIPTION	QTY.	KEY NO.	PART NO.	PART DESCRIPTION	QTY.
1	<del>079463-0TB</del>	Shell, Upper <i>098511-31</i>	1	16-9	M22456-3	Rotor	1
2	<del>M16679</del>	Shield, Heat <i>098068-01</i>	1	16-10	M22009	Insert, Rotor	1
3	<del>M16887-6</del>	Combustion Chamber <i>098512-02</i>	1	16-11	M8645-3	Body, Pump	1
4	<del>M16656-4</del>	Photo Cell Assembly <i>HA3019</i>	1	16-12	FHPF3-7C	Screw, #10-32X7/8	2
5	M16660	Bracket, Photo Cell	1	16-13	M50817-01	Fitting, Barb	1
6		Burner Head Assembly	1	16-14	M22997	Plug	1
		(See #6 on back)		16-15	M27694	Screw, Adjusting	1
6-1	M16790-12	Fuel Line	1	16-16	M10993-6	Spring, Relief	1
6-2	M19630	Filter, Screen Fuel	1	16-17	M8940	Ball, 1/4 dia.	1
6-3	M13849	Nut, Flare	1	16-18	<del>M51159-04</del>	Motor <i>099301-01</i>	1
6-4	M16741-18	Ring, Retaining	1	17	M12828	Bracket, Shell Support	1
6-5	<del>M16794</del>	Connector, Male <i>079721-01</i>	1	18	M11271-6	Nut, Tinnerman	8
6-6	M50817-01	Fitting, Barb	1	19	<del>079464-01BJ</del>	Shell, Lower <i>098511-07</i>	1
6-7	M8882	Seal, Nozzle	1	20	M11084-27	Screw, #10-12X1/2	19
6-8	M10659-1	Washer, Nozzle	2	21	M16645	Bracket, Motor	1
6-9	M10809-1	Spring, Nozzle	1	22	1000577	Grommet	1
6-10	<del>M18022</del>	Nozzle, 1.1 GPH <i>HA3011 (incl. 1 sleeve)</i>	1	23	<del>M16697-02</del>	Transformer, 5000 Volt <i>098557-06</i>	1
6-11	M16535	Adapter, Nozzle	1	24	M11143-1	Bushing, Strain Relief	1
6-12	<del>M10962-2</del>	Spark Plug <i>HA3012</i>	1	25	M10813-86	Cord, Power	1
6-13	M23090	Body, Burner Head	1	26	M13942-7	Wire, Nut (Small)	2
7	M50814-03	Airline	1	27	<del>M51011-0TAA</del>	Tank, Fuel <i>098513-11</i>	1
8	M12461-27	Screw, #10-32X1/2	1	28	M51027-06	Cap, Fuel (Includes gasket)	1
9	M50873-01	Clip, Airline	2	29	M10990-3	Bushing, Fuel Line	1
10	M17058	Fan	1	30	M27417	Plug, Drain-Includes "O" Ring	1
11	SF4 2.5K	Setscrew, 1/4-20	2	31	1000576	Grommet	2
12	M16661	Clamp, Motor	4	32	M12462-17	Relay	1
13	M51043-01	Screw, 1/4-20X1 1/2	2	33	M25296-1	Bracket, Relay	1
14	WLM-4C	Lockwasher, 1/4 in.	2	34	M11084-27	Screw, #10-12X1/2	1
15	NPC-4C	Nut, 1/4-20	2	35	<del>M50671-01</del>	Control, Flame Out <i>HA3003</i>	1
16	<del>078892-02L</del>	Motor & Pump Assy.	1	PARTS AVAILABLE - NOT SHOWN			
		(See #16 on back)			<del>M19294</del>	Wheels <i>097896-01</i>	2
16-1	M16545	Cover, End Filter	1		M51015-01	Axle	1
16-2	M12461-31	Screw, #10-32X1	4		M12342-3	Frame Support Wheel	1
16-3	M12179	Filter, Intake	1		<del>HA2204</del>	Front Handle	1
16-4	M12244-1	Filter, Output	1		M12345-33	Mounting Screws-Wheel Support	8
16-5	M11637	Filter, Lint	1		M28526	Nut Cap	2
16-6	M50545	Cover, End Pump	1		NTC-3C	Nut, Hex Lock 10-24	8
16-7	M12461-32	Screw, #10-32X1 1/8	6		079444-02	Decal Tradename	
16-8	M8643-3	Blade	4	OPTIONAL ACCESSORIES			

HA2204	Handle	
HA1200 12.10	Hang-Up Thermostat	

MODEL C150C



**SPECIFICATIONS**

	C150C		C150C
OUTPUT Rating (BTU Per Hour)	150,000	Motor RPM	3450
Fuel	kerosene or #1 fuel oil	Air Output (CFM)	538
Fuel Tank Capacity, U.S. Gallons	13.50	Air Pump Pressure	5.00
Fuel Consumption, Approx. U.S. Gal. Per Hour	1.10	Shipping Weight (Approx. Lbs.)	94.00
Electric Requirements	120 60Hz.	Without Fuel (Approx. Lbs.)	77.00
Amperage (During Normal Run)	5.00	Duct	No Duct Recommended
Starting Amps	10.00		