

**PORTABLE FORCED AIR
HEATER**
Illustrated Parts List

**REDDY
HEATER
R150**

IMPORTANT DO NOT USE KEY NUMBERS WHEN ORDERING SERVICE PARTS. ALWAYS ORDER COMPONENTS BY PART NUMBER AND DESCRIPTION. INCLUDE MODEL AND SERIAL NUMBERS.

| KEY # | PART # | PART DESCRIPTION | QTY. |
|-------|---------------------|---|------|
| 1 | M17014AG | Shell, Upper <i>098511-29</i> | 1 |
| 2 | M16679 | Deflector, Heat <i>098512-02</i> | 1 |
| 3 | M16887-6 | Chamber, Combustion, Assembly | 1 |
| 4 | M11084-27 | Screw, Hex Hd., 10-16 x 1/2 | 2 |
| 5 | M11084-29 | Screw, 10-16 x 3/4 | 2 |
| 6 | M16656-4 | Photocell Assembly <i>HA3019</i> | 1 |
| 7 | M16660 | Bracket, Photocell | 1 |
| 8 | M10908-2 | Screw, Hex Hd., 6-32 x 3/8 | 2 |
| 9 | | Burner Head Assembly | 1 |
| 9-1 | M16790-12 | Fuel Line | 1 |
| 9-2 | M19630 | Filter, Screen Fuel | 1 |
| 9-3 | M50660-05 | Nut, Flare | 1 |
| 9-4 | 079685-01 | Connector, Male | 1 |
| 9-5 | M50817-01 | Fitting, Barb | 1 |
| 9-6 | M8882 | Seal, Nozzle | 1 |
| 9-7 | M10659-1 | Washer, Nozzle | 2 |
| 9-8 | M10809-1 | Spring, Nozzle | 1 |
| 9-9 | M18022 | Nozzle, 1.1 GPH <i>with sleeve HA3011</i> | 1 |
| 9-10 | M10962-2 | Spark Plug <i>HA3012</i> | 1 |
| 9-11 | M50924-01 | Body, Burner Head | 1 |
| 10 | M11084-27 | Screw, Hex Hd., 10-16 x 1/2 | 3 |
| 11 | M50814-03 | Airline, Tubing | 1 |
| 12 | M50873-01 | Clip, Airline | 2 |
| 13 | M16841-16 | Wire Assembly (red) | 2 |
| 14 | M11084-27 | Screw, #10-16 x 1/2 | 1 |
| 15 | M17058 | Fan | 1 |
| 16 | | Motor & Pump Assembly | 1 |
| 16-1 | M16545 | Cover, End Fliter | 1 |
| 16-2 | M12461-31 | Screw, #10-31 x 1 | 10 |
| 16-3 | M12179 | Filter, Intake | 1 |
| 16-4 | M12244-1 | Filter, Output | 1 |
| 16-5 | M11637 | Filter, Lint | 1 |
| 16-6 | M50545 | Cover, End Pump | 1 |
| 16-7 | M8643 | Blade | 4 |
| 16-8 | M22456-1 | Rotor Pump | 1 |
| 16-9 | M22009 | Insert, Rotor | 1 |
| 16-10 | M8645 | Body, Pump <i>079975-02</i> | 1 |
| 16-11 | FHPF3-4C | Screw, #10-32 x 1/2 | 2 |
| 16-12 | M50817-01 | Fitting, Barb | 1 |
| 16-13 | M22997 | Plug | 1 |
| 16-14 | M27694 | Screw, Adjusting | 1 |
| 16-15 | M10993-1 | Spring, Relief | 1 |

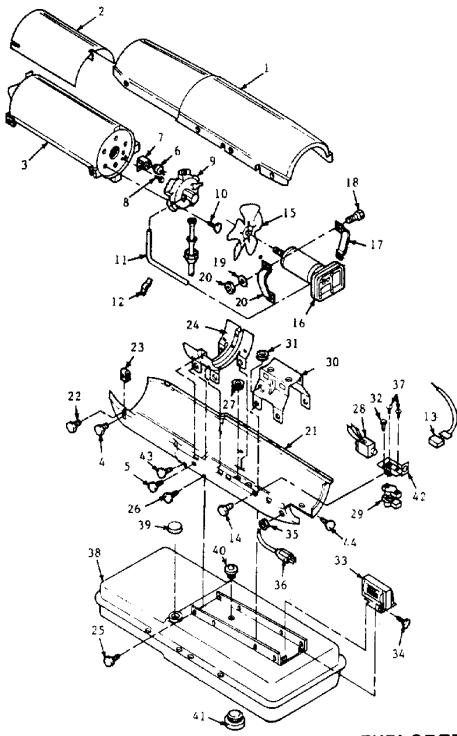
| KEY # | PART # | PART DESCRIPTION | QTY. |
|-------|----------------------|---|------|
| 16-16 | M8940 | Ball, 1/4 dia. | 1 |
| 16-17 | M61159-01 | Motor, w/relay <i>097307-01</i> | 1 |
| 17 | M16661 | Clamp, Motor | 4 |
| 18 | M51043-01 | Screw, Motor Clamp, 1/4-20 x 1 1/2 | 2 |
| 19 | WLM-4C | Lockwasher 1/4 in. | 2 |
| 20 | NPC-4C | Nut, Hex 1/4-20 | 2 |
| 21 | M16810D | Shell, Lower <i>098511-100</i> | 1 |
| 22 | M11084-27 | Screw, Hex Hd., 10-16 x 1/2 | 6 |
| 23 | M11271-6 | Nut, Clip | 6 |
| 24 | M12828 | Bracket, Shell Support | 1 |
| 25 | M11084-27 | Screw, Hex Hd., 10-16 x 1/2 | 8 |
| 26 | M11084-29 | Screw, #1-16 x 3/4 | 2 |
| 27 | 1000576 | Grommet Leads Thru Lower Shell | 2 |
| 28 | M50671-04 | Control, Safety <i>HA3003</i> | 1 |
| 29 | M12462-17 | Relay, Motor Start | 1 |
| 30 | M16645 | Bracket, Motor Support | 1 |
| 31 | 1000577 | Grommet | 1 |
| 32 | M11084-27 | Screw, #10-16 x 1/2 (Grounding) | 1 |
| 33 | M16697-02 | Transformer, 5000 Volt <i>098557-06</i> | 1 |
| 34 | M11084-27 | Screw, #10-16 x 1/2 | 2 |
| 35 | M11143-1 | Bushing, Strain Relief | 1 |
| 36 | 079218-03 | Cord, Power <i>098219-18</i> | 1 |
| 37 | RC2-2C | Screw, Rd. Hd., 8-32 x 1/4 | 2 |
| 38 | M51090-14 | Tank, Fuel <i>098513-11</i> | 1 |
| 39 | M51027-06 | Cap, Fuel | 1 |
| 40 | M10990-3 | Bushing, Rubber, Fuel Line Into Fuel Tank | 1 |
| 41 | M27417 | Plug, Drain, Includes "O" Ring | 1 |
| 42 | M25296-1 | Bracket, Relay | 1 |
| 43 | M11084-27 | Screw, #10-16 x 1/2 | 2 |
| 44 | M11084-27 | Screw, #10-16 x 1/2 | 2 |

PARTS AVAILABLE—NOT SHOWN

| | | |
|--|-------------------------|--|
| | M19457 Decal, Tradename | |
|--|-------------------------|--|

Rev. A
Date

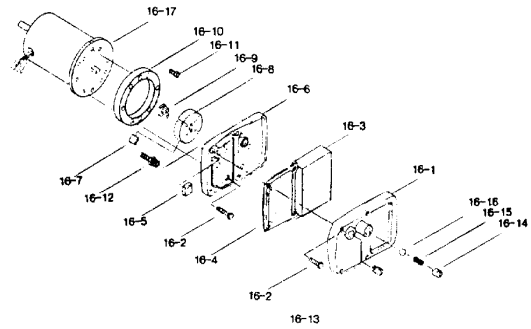
Reddy R150



HEATER EXPLODED VIEW

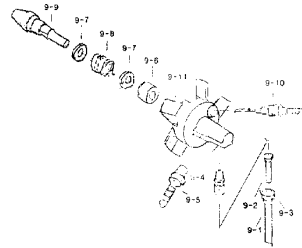
16

MOTOR PACKAGE ASSEMBLY

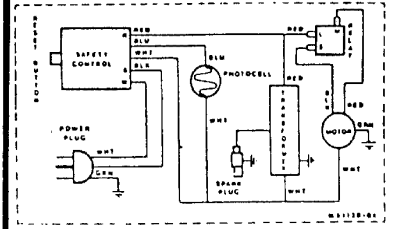


9

BURNER HEAD ASSEMBLY



WIRING DIAGRAM



SPECIFICATIONS

| | R150 | | R150 |
|--|-------------------------|--------------------------------|---------------------|
| OUTPUT Rating (BTU Per Hour) | 150,000 | Motor RPM | 3450 |
| Fuel | kerosene or #1 fuel oil | Air Output (CFM) | 538 |
| Fuel Tank Capacity, U.S. Gallons | 13.50 | Air Pump Pressure | 5.00 |
| Fuel Consumption, Approx. U.S. Gal. Per Hour | 1.10 | Shipping Weight (Approx. Lbs.) | 94.00 |
| Electric Requirements | 120 60Hz. | Without Fuel (Approx. Lbs.) | 77.00 |
| Amperage (During Normal Run) | 5.00 | Duct | No Duct Recommended |
| Starting Amps | 10.00 | | |