

PORTABLE FORCED AIR HEATER

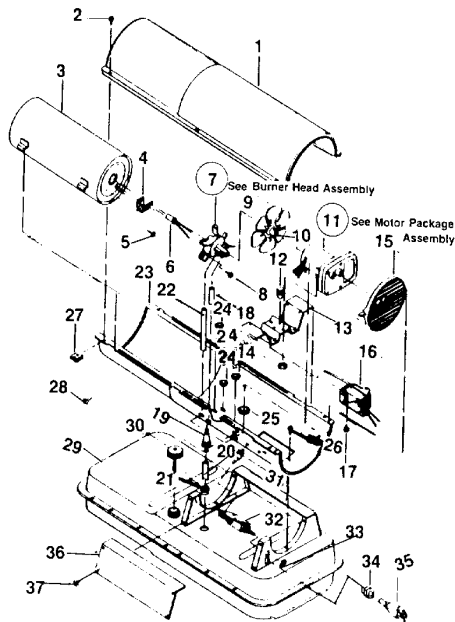
Illustrated Parts List

**CO-OP
HEATER
C100C**

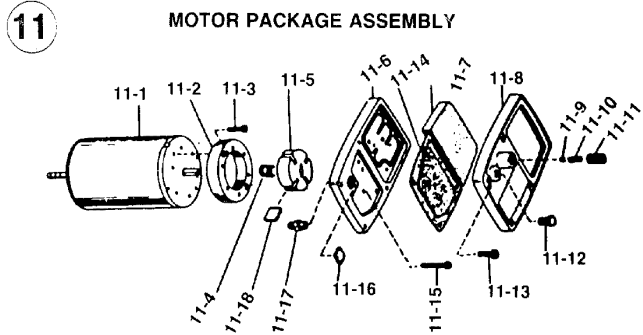
IMPORTANT DO NOT USE KEY NUMBERS WHEN ORDERING SERVICE PARTS. ALWAYS ORDER COMPONENTS BY PART NUMBER AND DESCRIPTION. INCLUDE MODEL AND SERIAL NUMBERS

KEY NO.	PART NO.	PART DESCRIPTION	QTY.	KEY NO.	PART NO.	PART DESCRIPTION	QTY.
1	079459-01BJ	Shell, Upper <i>098511-47</i>	1	12	M50631	Bumper, Rubber	2
2	M15823-27	Screw, #10X1/2	6	13	M51074-01	Bracket, Motor	1
3	M51075-01	Combustion Chamber <i>098512-07</i>	1	14	NJC-4C	Nut, Hex Jam	2
4	M16660	Bracket, Photo Cell	1	15	M51114-01	Guard, Fan	1
5	M10908-2	Screw, #6-32X3/8	2	16	M50670-04	Transformer, 5000 Volt <i>098557-06</i>	1
6	M16656-10	Photo Cell <i>HA3019</i>	1	17	M11084-26	Screw, #10-12X3/8	2
7		Burner Head Assembly	1	18	M51345-01	Fuel Line	1
		(See #7 on Back)		19	M51150-01	Filter, Fuel	1
7-1	M51120-01	Nozzle <i>HA3009 (incl. Sleeve)</i>	1	20	M51151-01	Tube, Fuel Line	1
7-2	M10659-1	Washer, Nozzle	2	21	M10990-3	Bushing, Rubber	1
7-3	M10809-1	Spring, Nozzle	1	22	M50814-06	Airline, Rubber	1
7-4	M8882	Seal, Nozzle	1	23	079458-01BJ	Shell, Lower <i>098511-47</i>	1
7-5	M50924-03	Body, Burner Head	1	24	M30865-02	Bushing	3
7-6	M50820-02	Fitting, Barb	2	25	M50104-02	Bushing	1
7-7	M10962-2	Spark Plug <i>HA3012</i>	1	26	M11084-26	Screw, #10-12X3/8	6
8	M11084-26	Screw, #10-12X3/8	3	27	M11271-8	Nut, Tinnerman	6
9	M51153-01	Fan	1	28	M15823-37	Screw, #8X1/4	1
10	SF4 2.5K	Setscrew, 1/4-20	1	29	M51115-01AA	Tank, Fuel <i>098513-32</i>	1
11	M23140-0	Motor & Pump Assembly	1	30	M51027-06	Cap, Fuel (Includes gasket)	1
		(See #11 on Back)		31	M51122-01	Support-PCB	3
11-1	M51131-01	Motor-Split Single Phase <i>097300-02</i>	1	32	M50671-02	Control, Flame Out <i>098528-01</i>	1
11-2	M8645	Pump Body <i>079975-02</i>	1	33	M51157-01	Nut Hex 12mm	1
11-3	FHPF3-4C	Screw, #10-32X1/2	2	34	M11143-1	Bushing, Strain Relief	1
11-4	M22009	Insert, Rotor	1	35	M10813-84	Cord, Power	1
11-5	M22456-1	Rotor, Pump	1	36	M51077-01AA	Cover, Side	1
11-6	M50545	Cover, End Pump	1	37	M11084-26	Screw, #10-12X3/8	4
11-7	M12179	Filter, Intake	1	PARTS AVAILABLE - NOT SHOWN			
11-8	M16545	Cover, End Filter	1		079444-01	Decal, Tradename	
11-9	M8940	Ball, Steel 1/4 dia.	1		M19294	Wheels <i>097896-01</i>	2
11-10	M10993-1	Spring Relief	1		M51015-01	Axle	1
11-11	M27694	Screw, Adjusting	1		M12342-3	Frame Support Wheel	1
11-12	M22997	Plug	1		HA2203	Front Handle	1
11-13	M12461-31	Screw, #10-32X1	4		M12345-33	Mounting Screws-Wheel Support	8
11-14	M12244-1	Filter, Output	1		M28526	Nut Cap	2
11-15	M12461-32	Screw, #10-32X1 1/8	6		NTC-3C	Nut, Hex Lock 10-24	8
11-16	M11637	Filter, Lint	1	OPTIONAL ACCESSORIES			
11-17	M50820-02	Fitting, Barb	1		HA2203	Handle	
11-18	M8643	Blade	4		HA1200-12,10	Hang-Up Thermostat	

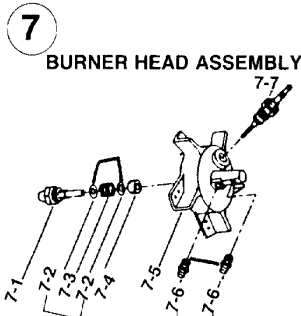
MODEL C100C



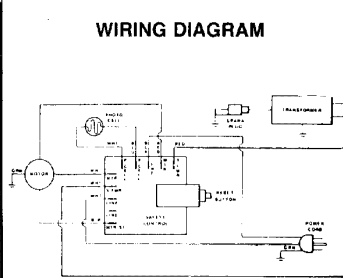
HEATER EXPLODED VIEW



MOTOR PACKAGE ASSEMBLY



BURNER HEAD ASSEMBLY



WIRING DIAGRAM

SPECIFICATIONS

	C100C		C100C
OUTPUT Rating (BTU Per Hour)	100,000	Motor RPM	3450
Fuel	kerosene or #1 fuel oil	Air Output (CFM)	273
Fuel Tank Capacity, U.S. Gallons	9.00	Air Pump Pressure	4.00
Fuel Consumption, Approx. U.S. Gal. Per Hour	0.74	Shipping Weight (Approx. Lbs.)	64.00
Electric Requirements	120 60Hz.	Without Fuel (Approx. Lbs.)	55.00
Amperage (During Normal Run)	5.5	Duct	No Duct Recommended
Starting Amps	10.0		