

DESA 104

**PORTABLE FORCED AIR
HEATER**

Illustrated Parts List

**REDDY
HEATER
R100**

IMPORTANT DO NOT USE KEY NUMBERS WHEN ORDERING SERVICE PARTS. ALWAYS ORDER COMPONENTS BY PART NUMBER AND DESCRIPTION. INCLUDE MODEL AND SERIAL NUMBERS

KEY NO.	PART NO.	PART DESCRIPTION	QTY.
1	M51072-01AC	Shell, Upper	1
2	M15823-27	Screw, #10X $\frac{1}{2}$	6
3	M51075-01	Combustion Chamber 098512-07	1
4	M16660	Bracket, Photo Cell	1
5	M10908-2	Screw, #6-32X3/8	2
6	M16656-10	Photo Cell HA3019	1
7		Burner Head Assembly (See #7 on Back)	1
7-1	M51120-04	Nozzle with sleeve HA3009	1
7-2	M10659-1	Washer, Nozzle	2
7-3	M10809-1	Spring, Nozzle	1
7-4	M8882	Seal, Nozzle	1
7-5	M50924-03	Body, Burner Head	1
7-6	M50820-02	Fitting, Barb	2
7-7	M10962-2	Spark Plug HA3012	1
8	M11084-26	Screw, #10-12X3/8	3
9	M51153-01	Fan	1
10	SF4.25K	Setscrew, $\frac{1}{4}$ -20	1
11	M23149-14	Motor & Pump Assembly (See #11 on Back)	1
11-1	M51131-01	Motor-Split Single Phase 097300-02	1
11-2	M8645	Pump Body 079975-02	1
11-3	FHPF3-4C	Screw, #10-32X $\frac{1}{2}$	2
11-4	M22009	Insert, Rotor	1
11-5	M22456-1	Rotor, Pump	1
11-6	M50545	Cover, End Pump	1
11-7	M12179	Filter, Intake	1
11-8	M16545	Cover, End Filter	1
11-9	M8940	Ball, Steel $\frac{1}{4}$ dia.	1
11-10	M10993-1	Spring Relief	1
11-11	M27694	Screw, Adjusting	1
11-12	M22997	Plug	1
11-13	M12461-31	Screw, #10-32X1	4
11-14	M12244-1	Filter, Output	1
11-15	M12461-32	Screw, #10-32X1 1/8	6
11-16	M11637	Filter, Lint	1
11-17	M50820-02	Fitting, Barb	1
11-18	M8643	Blade	4

KEY NO.	PART NO.	PART DESCRIPTION	QTY.
12	M50631	Bumper, Rubber	2
13	M51074-01	Bracket, Motor	1
14	NJC-4C	Nut, Hex Jam	2
15	M51114-01	Guard, Fan	1
16	098557-02	Transformer, 5000 Volt 098557-06	1
17	M11084-26	Screw, #10-12X3/8	2
18	M51345-01	Fuel Line	1
19	M51150-01	Filter, Fuel	1
20	M51151-01	Tube, Fuel Line	1
21	M10990-3	Bushing, Rubber	1
22	M50814-06	Airline, Rubber	1
23	M51073-01AC	Shell, Lower	1
24	M30865-02	Bushing	3
25	M50104-02	Bushing	1
26	M11084-26	Screw, #10-12X3/8	6
27	M11271-8	Nut, Tinnerman	6
28	M15823-37	Screw, #8X $\frac{1}{4}$	1
29	M51115-01AA	Tank, Fuel 098513-32	1
30	M51027-06	Cap, Fuel (Includes gasket)	1
31	M51122-01	Support-PCB	3
32	<u>097528 01</u>	Control, DSI	1
33	M51157-01	Nut Hex 12mm	1
34	M11143-1	Bushing, Strain Relief	1
35	M10813-84	Cord, Power	1
36	M51077-01AA	Cover, Side	1
37	M11084-26	Screw, #10-12X3/8	4

PARTS AVAILABLE - NOT SHOWN

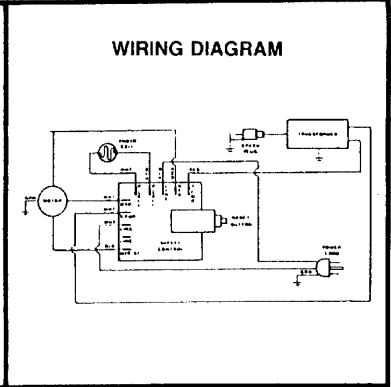
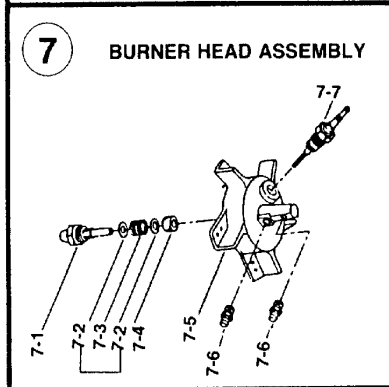
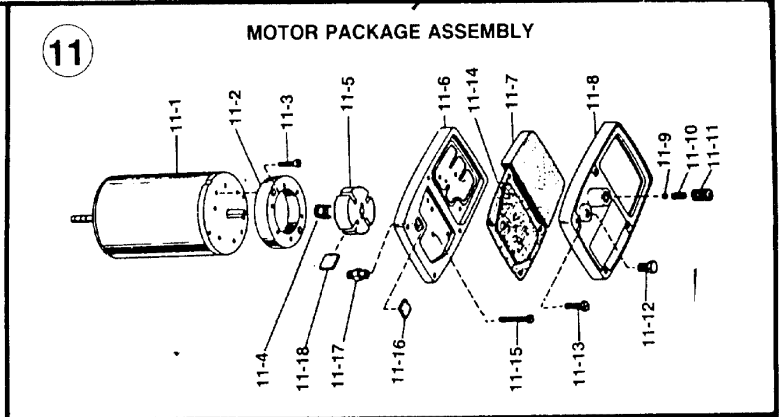
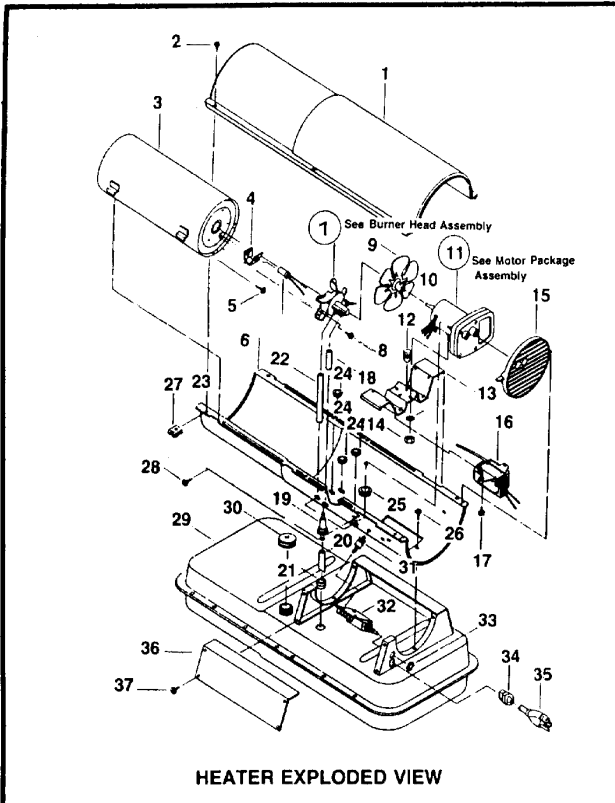
M19457	Decal, Tradename	
M10294	Wheels 097896-01	2
M51015-01	Axle	1
M12342-3	Frame Support Wheel	1
HA2203	Front Handle	1
M12345-33	Mounting Screws-Wheel Support	8
M28526	Nut Cap	2
NTC-3C	Nut, Hex Lock 10-24	8

OPTIONAL ACCESSORIES

HA2203	Handle	
HA1200 1310	Hang-Up Thermostat	

Rev. A.

REDDY R100



SPECIFICATIONS

	R100		R100
OUTPUT Rating (BTU Per Hour)	100.000	Motor RPM	3450
Fuel	kerosene or #1 fuel oil	Air Output (CFM)	273
Fuel Tank Capacity, U.S. Gallons	9.00	Air Pump Pressure	4.00
Fuel Consumption, Approx. U.S. Gal. Per Hour	0.74	Shipping Weight (Approx. Lbs.)	64.00
Electric Requirements	120 60Hz	Without Fuel (Approx. Lbs.)	55.00
Amperage (During Normal Run)	5.5	Duct	No Duct Recommended
Starting Amps	10.0		