



CONSUMER PRODUCTS
AMCA
INTERNATIONAL

DESA
Int.

PFA-1

Issued: September, 1983

Revised: August, 1984

**PORTABLE FORCED AIR
 HEATER**

Illustrated Parts List

**REDDY
 HEATER
 R30 & R50**

IMPORTANT DO NOT USE KEY NUMBERS WHEN ORDERING SERVICE PARTS. ALWAYS ORDER COMPONENTS BY PART NUMBER AND DESCRIPTION. INCLUDE MODEL AND SERIAL NUMBERS

KEY NO.	PART NO.	PART DESCRIPTION	R30 QTY.	R50 QTY.
1	M51104-01	Handle	1	1
2	M50901-01AC	Shell, Upper <i>098511-36</i>	1	1
3	M50589-01	Screw, Handle <i>M 11084-29</i>	2	2
4	M11084-27	Screw, #10-16X $\frac{1}{2}$	6	6
5	M50785-02	Combustion Chamber <i>098512-14</i>	1	1
	M50785-04	Combustion Chamber <i>098512-13</i>	1	1
6	M10908-2	Screw, #6-32X3.8	2	2
7	M16660	Bracket, Photo Cell	1	1
8	M16656-4	Photo Cell Assembly <i>HA3019</i>	1	1
9		Burner Head Assembly (See Back)	1	1
9-1	M29681	Nozzle	1	1
	M50597	Nozzle <i>HA3007</i>	1	1
9-2	M16741-18	Ring, Retainer	1	1
9-3	M29835-2	Spark Plug <i>HA3013</i>	1	1
9-4	M29805	Adapter, Nozzle <i>097213-01</i>	1	1
9-5	M51013-01	Bracket <i>097124-01</i>	1	1
	M29615-01	Bracket <i>097125-01</i>	1	1
9-6	M29824	Nut, 14mm	1	1
10	M11084-27	Screw, #10-16X $\frac{1}{2}$	2	2
11	M30884	Fan 7" dia., -1.437	1	1
12	29750-05E	Motor Package Assembly (See Back)	1	1
	M29750-04E	Motor Package Assembly (See Back)	1	1
12-1	M50843-01	Motor <i>102001-01</i>	1	1
	M50843-02	Motor <i>102001-01</i>	1	1
12-2	M8645	Pump Body <i>079975-02</i>	1	1
12-3	M22009	Insert, Rotor	1	1
12-4	M22456-1	Rotor	1	1
12-5	M29608	Cover, End Pump	1	1
12-6	M29632	Filter, Lint	1	1
12-7	M29633	Filter, Intake	1	1
12-8	M29609	Filter, End Cover	1	1
12-9	M12461-31	Screw, #10-32X1	3	3
12-10	M27694	Screw, Adjusting	1	1
12-11	M10993-1	Spring-Relief	1	1
12-12	M22997	Plug	1	1
12-13	M8940	Ball, Steel $\frac{1}{4}$ Dia.	1	1
12-14	M29612-01	Filter, Output	1	1
12-15	M12461-31	Screw, #10-32X1	6	6
12-16	M50016	Elbow 90°	1	1
12-17	M8643	Blade	4	4
12-18	FHPF3-4C	Screw, #10-32X $\frac{1}{2}$	2	2

KEY NO.	PART NO.	PART DESCRIPTION	R30 QTY.	R50 QTY.
13	M51105-01	Guard Fan	1	1
14	NTC-4C	Nut-Hex Jam	2	2
15	M50631	Bumper, Rubber	2	2
16	M51051-01	Bracket, Motor <i>098138-01</i>	1	1
17	M30865-02	Bushing	1	1
18	M25907	Bushing Photo Cell	1	1
19	M11271-8	Nut-Tinnerman	6	6
20	M50104-02	Bushing Wires	1	1
21	M11084-26	Screw, #10-12X3/8	6	6
22	M15823-37	Screw, #8X $\frac{1}{4}$	1	1
23	M50902-01AC	Shell, Lower <i>098511-18</i>	1	1
24	M29652-05	Airline Rubber	1	1
25	M50570-03	Transformer, 5000 Volt <i>098557-06</i>	1	1
26	M11084-26	Screw, #10-12X3/8	2	2
27	M29652-04	Fuel Line	1	1
28	M50876-04	Fuel Filter	1	1
	M50876-02	Fuel Filter	1	1
29	M9900-T57	Wire, Red <i>M16841-16</i>	1	1
30	M13942-7	Wire, Nut (Small)	1	1
31	M13942-5	Wire, Nut (Medium)	1	1
32	M13942-6	Wire, Nut (Large)	1	1
33	M50671-01	Control, Flame Out <i>HA3003</i>	1	1
34	M51027-06	Cap. Fuel (Includes Gasket)	1	1
35	M10813-81	Cord, Power	1	1
36	M11143-1	Bushing, Strain-Relief	1	1
37	M11084-26	Screw, #10-12X3/8	2	2
38	M50899-03AA	Cover, Side	1	1
39	M50811-04AA	Tank, Fuel <i>098513-23</i>	1	1
	M50811-05AA	Tank, Fuel <i>098513-20</i>	1	1
40	M51108-01	Shield, Heat	1	1

PARTS AVAILABLE - NOT SHOWN

M51109-02	Decal, Nameplate		
M51110-01	Decal, Warning	<i>delete</i>	
M51111-01	Decal, Tradename		

OPTIONAL ACCESSORIES

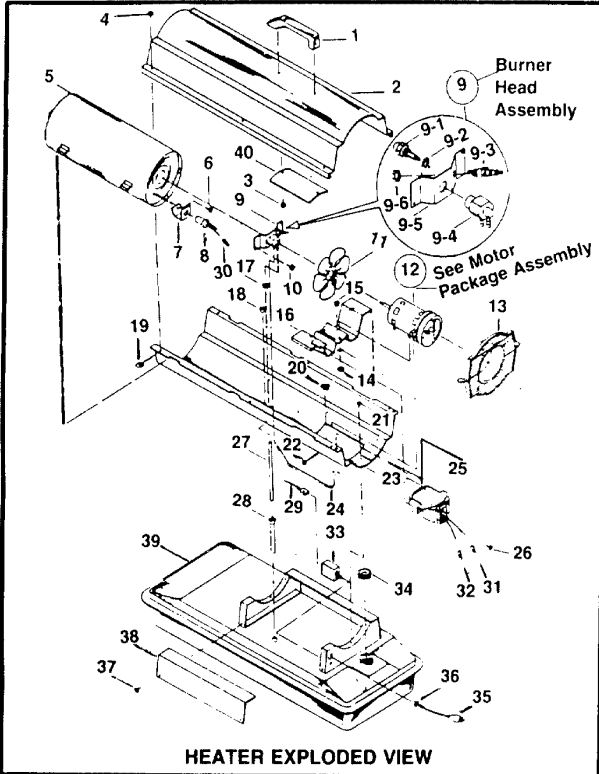
HA1206	Hang-Up Thermostat <i>HA1210</i>		
HA1206	Wheel Kit + Handle Kit		

HA1202 Heavy Duty Wheel + Handle Kit

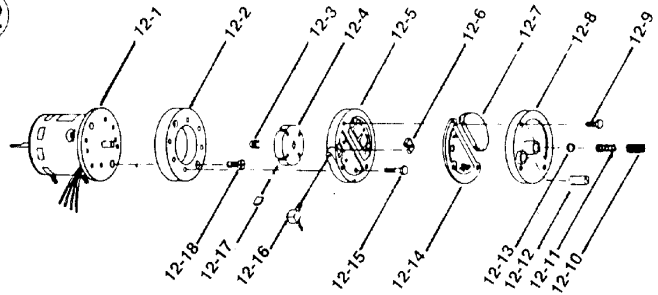
Rev. A
 ddtc

REDDY

R30 + R50

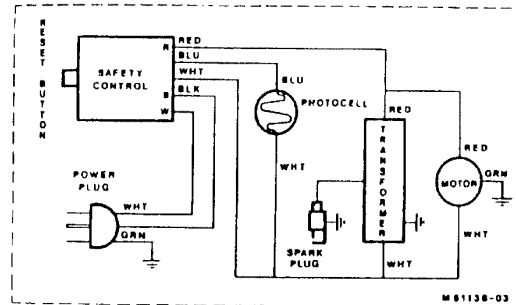


12



MOTOR PACKAGE ASSEMBLY

WIRING DIAGRAM



SPECIFICATIONS

	R30	R50		R30	R50
OUTPUT Rating (BTU Per Hour)	30,000	50,000	Motor RPM	1710	1730
Fuel	kerosene or #1 fuel oil		Air Output (CFM)	123	106
Fuel Tank Capacity, U.S. Gallons	3.00	4.00	Air Pump Pressure	3.00	3.60
Fuel Consumption, Approx. U.S. Gal. Per Hour	0.23	0.37	Shipping Weight (Approx. Lbs.)	42	43
Electric Requirements	120 60Hz		Without Fuel (Approx. Lbs.)	35	36
Amperage (During Normal Run)	2.78	2.90	Duct	No Duct Recommended	
Starting Amps	4.00	4.00			