

Dec 108

PORTABLE FORCED AIR HEATER

Illustrated Parts List

PFA-14

Issued: March, 1985

REDDY HEATER R35

IMPORTANT DO NOT USE KEY NUMBERS WHEN ORDERING SERVICE PARTS. ALWAYS ORDER COMPONENTS BY PART NUMBER AND DESCRIPTION. INCLUDE MODEL AND SERIAL NUMBERS.

KEY NO.	PART NO.	DESCRIPTION	QTY.
1	M51104-01	Handle	1
2	M50901-01AG	Shell, Upper <i>098511-36</i>	1
3	M50589-01	Screw, Handle <i>M11084-29</i>	2
4	M11084-27	Screw, #10-16 x 1/2	6
5	M50785-06	Combustion Chamber <i>098512-20</i>	1
6	M10908-2	Screw, #6-32 x 3/8	2
7	M16660	Bracket, Photocell	1
8	M16656-4	Photocell Assembly <i>HA3019</i>	1
9		Burner Head Assembly (See Back)	N/A
9-1	079744-04	Nozzle <i>HA3006</i>	1
9-2	M16741-18	Ring, Retainer	1
9-3	M29835-2	Spark Plug <i>HA3013</i>	1
9-4	M29805	Adapter, Nozzle <i>097213-01</i>	1
9-5	M29813	Bracket <i>097125-01</i>	1
9-6	M29824	Nut, 14 mm	1
10	M11084-26	Screw, #10-12 x 3/8	2
11	M30884	Fan 7" dia. -1.437	1
12		Motor Package Assembly (See Back) <i>102001-01</i>	N/A
12-1	M50843-02	Motor <i>102001-01</i>	1
12-2	M8645	Pump Body <i>079975-02</i>	1
12-3	M22009	Insert, Rotor	1
12-4	M22456-1	Rotor	1
12-5	M29608	Cover, End Pump	1
12-6	M29632	Filter, Lint	1
12-7	M29633	Filter, Intake	1
12-8	M29609	Filter, End Cover	1
12-9	M12461-31	Screw, #10-32 x 1	3
12-10	M27694	Screw, Adjusting	1
12-11	M10993-1	Spring-Relief	1
12-12	M22997	Plug	1
12-13	M8940	Ball, Steel 1/4 dia.	1
12-14	M29612-01	Filter, Output	1
12-15	M12461-31	Screw, #10-32 x 1	6
12-16	M50016	Elbow 90°	1
12-17	M8643	Blade	4
12-18	FHPF3-4C	Screw, #10-32 x 1/2	2
13	M51105-01	Guard, Fan	1
14	M10813-81	Cord, Power	1

KEY NO.	PART NO.	DESCRIPTION	QTY.
15	M11143-1	Bushing, Strain-Relief	1
16	NTC-4C	Nut, Hex Lock	2
17	M11084-26	Screw, #10-12 x 3/8	2
18	M50631	Bumper, Rubber	2
19	M50899-03AA	Cover, Side	1
20	M51061-04	Bracket, Motor <i>099138-01</i>	1
21	M30865-02	Bushing, Transformer Lead	1
22	M25907	Bushing, Photocell wires	1
23	M11271-8	Nut, Clip	6
24	M50104-02	Bushing, Wire	1
25	M11084-26	Screw, #10-32 x 3/8	6
26	M15823-37	Screw, #8 x 1/4	1
27	M50902-01AG	Shell, Lower <i>098511-18</i>	1
28	M29652-05	Airline, Rubber	1
29	M50520-03	Transformer, 5000 Volt <i>098557-06</i>	1
30	M11084-26	Screw, #10-32 x 3/8	2
31	M29652-04	Fuel Line	1
32	M50876-04	Fuel Filter	1
33	M16841-16	Wire, Red	1
34	M13942-7	Wire, Nut (Small)	1
35	M13942-5	Wire, Nut (Medium)	1
36	M13942-6	Wire, Nut (Large)	1
37	M50677-01	Control, Flame Out <i>HA3003</i>	1
38	M51027-06	Cap, Fuel (Includes Gasket)	1
39	M50811-04AA	Tank, Fuel <i>098513-23</i>	1
40	M51108-01	Shield, Heat	1

PARTS AVAILABLE - NOT SHOWN

079747-01	Decal, Nameplate
M51110-01	Decal, Warning
M51111-01	Decal, Tradename
079748-01	Decal, Decorative

Delete N/A

OPTIONAL ACCESSORIES

HA1200	Hang-Up Thermostat <i>HA1210</i>
HA1206	Wheel Kit <i>HANDLE KIT</i>

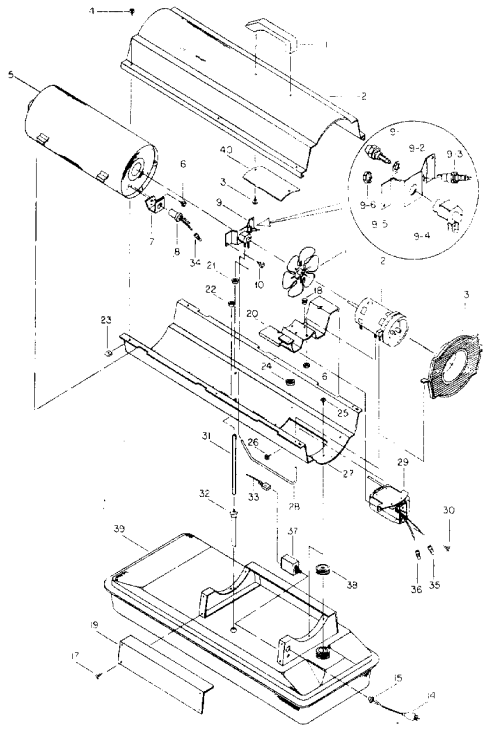
HA1202 Heavy Duty wheel + handle kit

Note: These part changes for 1986 model

Key	OLD#	New#	Desc
32	M50876-04	M50876-02	Fuel Filter
38	M51027-06	097702-01	Fuel Cap

*Rev. A
dat*

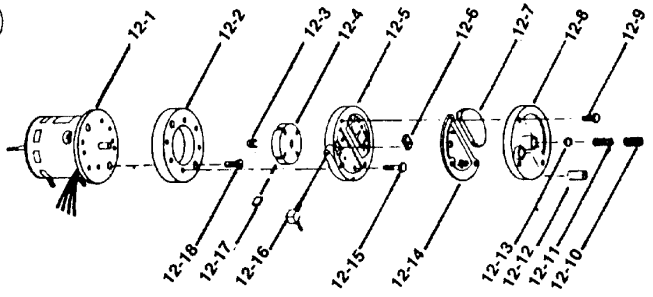
Reddy R35



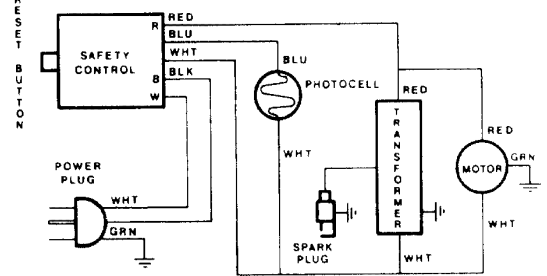
HEATER EXPLODED VIEW

12

MOTOR PACKAGE ASSEMBLY



WIRING DIAGRAM



M 51138-03

SPECIFICATIONS

Output rating (BTU Per Hour)	35,000	Motor RPM	1725
Fuel	Kerosene or #1 fuel oil	Hot Air Output (Approx. CFM)	123
Fuel Tank Capacity (U.S. Gallons)	3.00	Air Pump Pressure (PSI)	3.0
Fuel Consumption (Approx. U.S. Gal. Per Hr.)	.026	Shipping Weight (Approx. Lbs.)	42
Electric Requirements	120 V/60 HZ	Heater Weight Without Fuel (Approx. Lbs.)	35
Amperage	2.8		