

Homelite®

Issued: Nov. 1987

PORTABLE FORCED AIR HEATER Illustrated Parts List

HH35

IMPORTANT: Do not use key numbers when ordering service parts. Always order components by part number and description. Include model and serial numbers.

KEY NO.	PART NUMBER	DESCRIPTION	QTY.	KEY NO.	PART NUMBER	DESCRIPTION	QTY.
1	M51104-01	Handle	1	15	M11143-1	Strain Relief Bushing	1
2	098511-43	Upper Shell	1	16	NTC-4C	Hex Lock Nut, 1/4-20	2
3	M11084-29	Screw, #10-16 x 3/4"	2	17	M11084-26	Screw, #10-16 x 3/8"	2
4	100647-01	Screw, #10-16 x 1/2"	6	18	M50631	Rubber Bumper	2
5	098512-20	Combustion Chamber	1	19	M50899-03AA	Side Cover	1
6	M10908-2	Screw, #6-32 x 3/8"	2	20	101205-01	Motor Bracket	1
7	M16660	Photocell Bracket	1	21	M30865-02	Bushing	1
8	HA3019	Photocell Assembly	1	22	M25907	Bushing	1
9	***	Burner Head Assembly	1	23	M11271-8	Clip Nut	6
9-1	HA3006	Nozzle	1	24	M50104-02	Bushing	1
9-2	HA3013	Spark Plug	1	25	M11084-26	Screw, #10-16 x 3/8"	6
9-3	079980-01	Nozzle Adapter	1	26	M15823-37	Screw, #8-18 x 1/4"	1
9-4	097125-01	Bracket	1	27	098511-19	Lower Shell	1
9-5	M29824	Nut, 14mm	1	28	M29652-04	Rubber Airline	1
10	M11084-26	Screw, #10-16 x 3/8"	2	29	102482-01	Ignitor Kit	1
11	M30884	Fan	1	30	M11084-29	Screw, #10-16 x 3/4"	2
12	***	Motor and Pump Assembly	1	31	M29652-05	Fuel Line	1
12-1	102001-01	Motor	1	32	M50876-04	Fuel Filter (With Bushing)	1
12-2	079975-02	Pump Body	1	33	M10990-3	Rubber Bushing	1
12-3	M22009	Insert	1	34	M16841-16	Wire Assembly (Red, 6")	1
12-4	M22456-1	Rotor	1	35	**	Wire Connector (Blue Wires)	1
12-5	M29608	Pump End Cover	1	36	**	Wire Connector (Red Wires)	1
12-6	M29632	Lint Filter	1	37	**	Wire Connector (White Wires)	1
12-7	M29633	Intake Filter	1	38	HA3003	Safety Control	1
12-8	M29609	Filter End Cover	1	39	097702-01	Fuel Cap (Includes Gasket)	1
12-9	M12461-31	Screw, #10-32 x 1"	3	40	098513-23	Fuel Tank	1
12-10	M27694	Adjusting Screw	1	41	M51108-01	Heat-Shell Shield	1
12-11	M10993-1	Pressure Relief Spring	1	PARTS AVAILABLE - NOT SHOWN			
12-12	M22997	Plug	1		097886-01	Tradename Decal	
12-13	M8940	Steel Ball, 1/4" diameter	1		098493-01	General Information Decal	
12-14	M29612-01	Output Filter	1	OPTIONAL ACCESSORIES			
12-15	M12461-31	Screw, #10-32 x 1"	6		HA1210	Hang-up Thermostat	
12-16	M50016	Elbow, 90°	1		HA1202	Heavy Duty Wheels and Handle Kit	
12-17	M8643	Blade	4		HA1206	Standard Wheels and Handle Kit	
12-18	FHPF3-2C	Screw, #10-32 x 1/4"	2		HA1180	Air Gauge Kit	
13	M51105-01	Fan Guard	1				
14	098219-18	Power Cord	1				

** Available at your local hardware store.

*** Not available as an assembly.

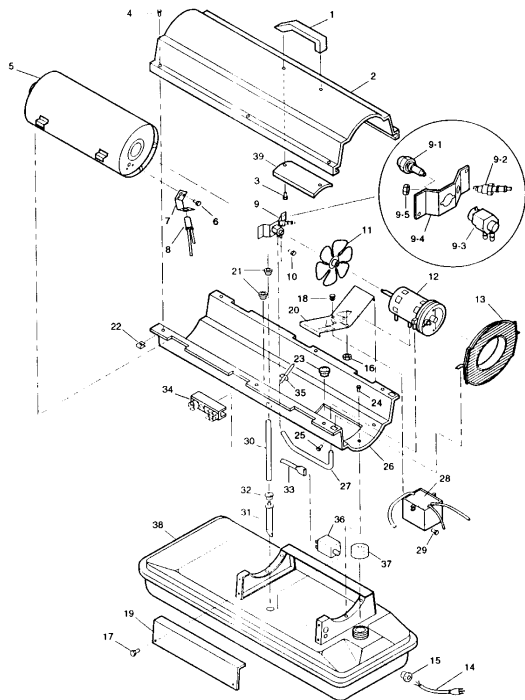
DESA International

2701 Industrial Drive, P.O. Box 90004
Bowling Green, KY 42102-9004
Technical Service Department 1-800-323-5190
Parts Department 1-800-972-7879

098122-01
REV. C
05/97

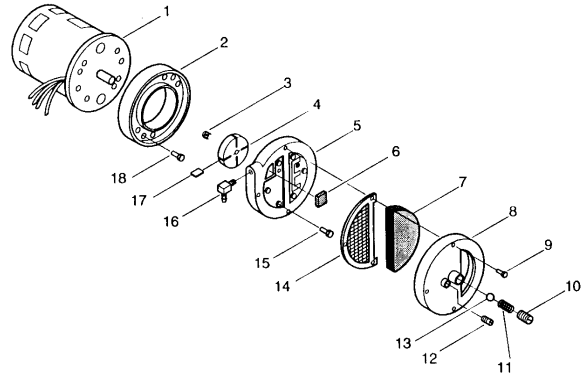
HH35

HEATER EXPLODED VIEW

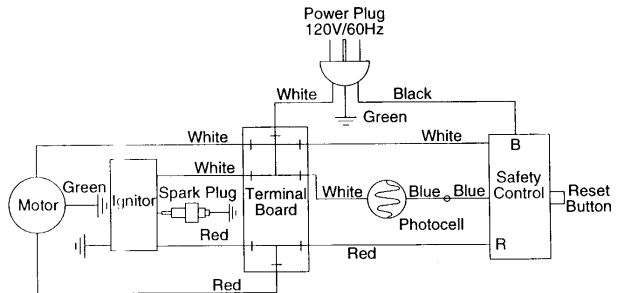


MOTOR PACKAGE ASSEMBLY

12



WIRING DIAGRAM



SPECIFICATIONS

Output Rating (BTU Per Hour)	35,000
Fuel	Kerosene or #1 fuel oil
Fuel Tank Capacity (U. S. Gallons)	3
Fuel Consumption (Approximate U.S. Gallons Per Hour)	0.26
Electric Requirements	120V/60Hz
Amperage (During Normal Run)	2.4

Motor RPM	1725
Hot Air Output (Approximate CFM)	168
Air Pump Pressure (PSI)	3.0
Shipping Weight (Approximate Pounds)	34
Heater Weight Without Fuel (Approximate Pounds)	29