

PORTABLE FORCED AIR HEATER  
*Illustrated Parts List*

Issued: Nov. 1988

**MASTER  
B50E**

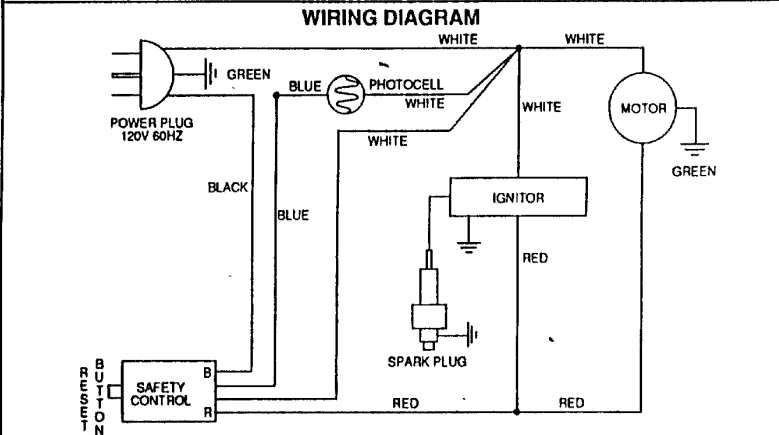
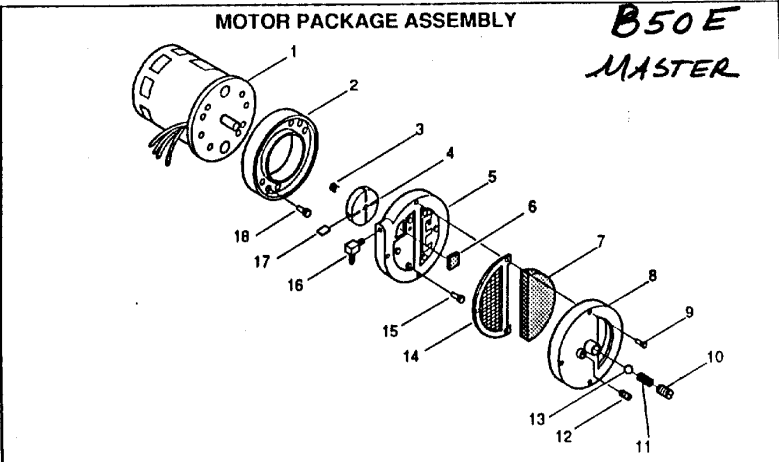
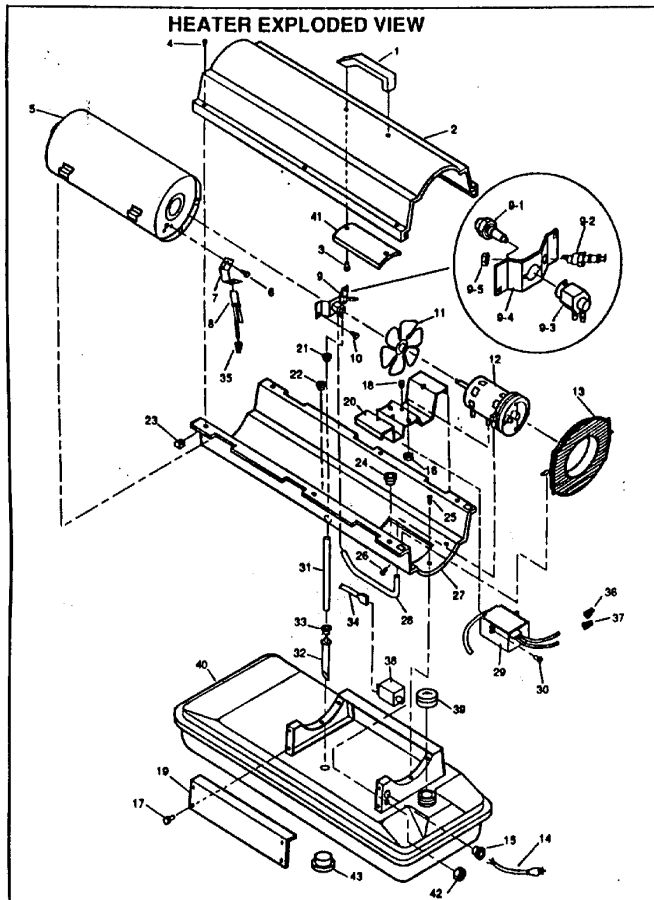
**IMPORTANT:** Do not use key numbers when ordering service parts. Always order components by part number and description. Include model and serial numbers.

KEY NO.	PART NUMBER	DESCRIPTION	QTY.	KEY NO.	PART NUMBER	DESCRIPTION	QTY.
1	M51104-01	Handle	1	23	M11271-8	Clip Nut	6
2	098511-54	Upper Shell	1	24	M50104-02	Bushing (wires)	1
3	M11084-29	Hex Head Screw, #10-16 x 3/4	2	25	M11084-26	Hex Head Screw, #10-16 x 3/8	6
4	M15823-27	Hex Head Screw, #10-16 x 1/2	6	26	M15823-37	Hex Head Screw #8-18 x 1/4	1
5	098512-13	Combustion Chamber	1	27	098511-12	Lower Shell	1
6	M10908-2	Hex Head Screw, #6-32 x 3/8	2	28	M29652-01	Rubber Airline	1
7	M16660	Photocell Bracket	1	29	098557-0106	Ignitor Kit (includes leads)	1
8	M16656-4	Photocell Assembly <i>HA3019</i>	1	30	M11084-29	Hex Head Screw, #10-16 x 3/4	2
9	***	Burner Head Assembly	1	31	079973-01	Fuel Line	1
9-1	M50597	Nozzle <i>HA3007</i>	1	32	M50876-02	Fuel Filter Assembly	1
9-2	M29836-2	Spark Plug <i>HA3013</i>	1	33	M10990-3	Bushing, Rubber	1
9-3	079980-01	Nozzle Adapter	1	34	**	Wire Assembly (red, 6")	1
9-4	097125-01	Bracket	1	35	**	Wire Connector (Blue Wires)	1
9-5	M29824	Nut, 14mm	1	36	**	Wire Connector (Red Wires)	1
10	M11084-26	Hex Head Screw, #10-16 x 3/8	2	37	**	Wire Connector (White Wires)	1
11	M30884	Fan	1	38	M50671-01	Safety Control <i>HA3003</i>	1
12	***	Motor and Pump Assembly	1	39	097702-01	Fuel Cap (includes gasket)	1
12-1	097079-01	Motor <i>102001-01</i>	1	40	098513-27	Fuel Tank	1
12-2	079975-0102	Pump Body	1	41	M51108-01	Heat-Shell shield	1
12-3	M22009	Insert	1	42	M51157-01	Hex Nut, 12mm	1
12-4	M22456-1	Rotor	1	43	M27417	Drain Plug (includes "O" ring)	1
12-5	M29608	End Pump Cover	1	<b>PARTS AVAILABLE - NOT SHOWN</b>			
12-6	M29632	Lint Filter	1		097646-01	Tradename Decal	
12-7	M29633	Intake Filter	1	<b>OPTIONAL ACCESSORIES</b>			
12-8	M29609	End Cover Filter	1		HA1200 <i>1210</i>	Hang-up Thermostat	
12-9	M12461-31	Hex Head Screw, #10-32 x 1	3		HA1202	Heavy Duty Wheels and Handle Kit	
12-10	M27694	Adjusting Screw	1		HA1206	Standard Wheels and Handle Kit	
12-11	M10993-1	Pressure Relief Spring	1		HA1180	Air Gauge Kit	
12-12	M22997	Plug	1				
12-13	M8940	Steel Ball 1/4" dia.	1				
12-14	M29612-01	Output Filter	1				
12-15	M12461-31	Hex Head Screw, #10-32 x 1	6				
12-16	M50016	Elbow 90°	1				
12-17	M8643	Blade	4				
12-18	FHPF3-2C	Hex Head Screw, #10-32 x 1/4	2				
13	M51105-01	Fan Guard	1				
14	098219-00	Power Cord <i>098219-18</i>	1				
15	M11143-1	Strain Relief Bushing	1				
16	NTC-4C	Hex Lock Nut	2				
17	M11084-26	Hex Head Screw, #10-16 x 3/8	2				
18	M50631	Rubber Bumper	2				
19	M50899-03AA	Side Cover	1				
20	098138-01	Motor Bracket	1				
21	M30865-02	Bushing	1				
22	M25907	Bushing	1				

\*\*Available at your local hardware store.  
 \*\*\*Not available as an assembly.

*make type left fan*

098680-01  
 REV. A 3  
*SA*  
*date*  
*B*



### SPECIFICATIONS

Output Rating (BTU Per Hour)	50,000
Fuel	Kerosene or #1 fuel oil
Fuel Tank Capacity (U. S. Gallons)	4
Fuel Consumption (Approximate U.S. Gallons Per Hour)	0.37
Electric Requirements	120V/60Hz
Amperage (Normal Run)	2.5

Motor RPM	1725
Hot Air Output (Approximate CFM)	166
Air Pump Pressure (PSI)	3.8
Shipping Weight (Approximate Pounds)	43
Heater Weight Without Fuel (Approximate Pounds)	36
Duct	No Duct Recommended

## PORTABLE FORCED AIR HEATER *Illustrated Parts List*

**MASTER  
B50E**

**IMPORTANT:** Do not use key numbers when ordering service parts. Always order components by part number and description. Include model and serial numbers.

KEY NO.	PART NUMBER	DESCRIPTION	QTY.	KEY NO.	PART NUMBER	DESCRIPTION	QTY.
1	M51104-01	Handle	1	17	M11084-26	Hex Head Screw, #10-16 x 3/8	2
2	098511-54	Upper Shell	1	18	M50631	Rubber Bumper	2
3	M11084-29	Hex Head Screw, #10-16 x 3/4"	2	19	M50899-03AA	Side Cover	1
4	M11084-27	Hex Head Screw, #10-16 x 1/2"	6	20	101205-01	Motor Bracket	1
5	098512-13	Combustion Chamber	1	21	M30865-02	Bushing	1
6	M10908-2	Hex Head Screw, #6-32 x 3/8"	2	22	M25907	Bushing	1
7	M16660	Photocell Bracket	1	23	M11271-8	Clip Nut	6
8	HA3019	Photocell Assembly	1	24	M50104-02	Bushing	1
9	***	Burner Head Assembly	1	25	M11084-26	Hex Head Screw, #10-16 x 3/8"	6
9-1	HA3007	Nozzle	1	26	M15823-37	Hex Head Screw, #8-18 x 1/4"	1
9-2	HA3013	Spark Plug	1	27	098511-12	Lower Shell	1
9-3	079980-01	Nozzle Adaptor	1	28	M29652-01	Rubber Airline	1
9-4	097125-01	Bracket	1	29	102482-01	Ignitor Kit	1
9-5	M29824	Nut, 14mm	1	30	M11084-29	Hex Head Screw, #10-16 x 3/4"	2
10	M11084-26	Hex Head Screw, #10-16 x 3/8"	2	31	079973-01	Fuel Line	1
11	M30884	Fan	1	32	M50876-02	Fuel Filter Assembly	1
12	***	Motor and Pump Assembly	1	33	M10990-3	Rubber Bushing	1
12-1	102001-01	Motor	1	34	**	Wire Assembly (Red, 6")	1
12-2	079975-02	Pump Body	1	35	**	Wire Connector (Blue Wires)	1
12-3	M22009	Insert	1	36	**	Wire Connector (Red Wires)	1
12-4	M22456-1	Rotor	1	37	**	Wire Connector (White Wires)	1
12-5	M29608	Pump End Cover	1	38	HA3003	Safety Control	1
12-6	M29632	Lint Filter	1	39	097702-01	Fuel Cap (Includes Gasket)	1
12-7	M29633	Intake Filter	1	40	098513-27	Fuel Tank	1
12-8	M29609	Filter End Cover	1	41	M51108-01	Heat-Shell Shield	1
12-9	M12461-31	Hex Head Screw, #10-32 x 1"	3	42	M51157-01	Hex Nut, 12mm	1
12-10	M27694	Adjusting Screw	1	43	M27417	Drain Plug (Includes "O" Ring)	1
12-11	M10993-1	Pressure Relief Spring	1	<b>PARTS AVAILABLE - NOT SHOWN</b>			
12-12	M22997	Plug	1				
12-13	M8940	Steel Ball, 1/4" diameter	1		097646-01	Tradename Decal	
12-14	M29612-01	Output Filter	1	<b>OPTIONAL ACCESSORIES</b>			
12-15	M12461-31	Hex Head Screw, #10-32 x 1"	6				
12-16	M50016	Elbow, 90°	1				
12-17	M8643	Blade	4				
12-18	FHPF3-2C	Hex Head Screw, #10-32 x 1/4"	2		HA1210	Hang-up Thermostat	
13	M51105-01	Fan Guard	1		HA1202	Heavy Duty Wheels and Handle Kit	
14	098219-18	Power Cord	1		HA1206	Standard Wheels and Handle Kit	
15	M11143-1	Strain Relief Bushing	1		HA1180	Air Gauge Kit	
16	NTC-4C	Hex Lock Nut	2				

\*\* Available at your local hardware store.

\*\*\* Not available as an assembly.

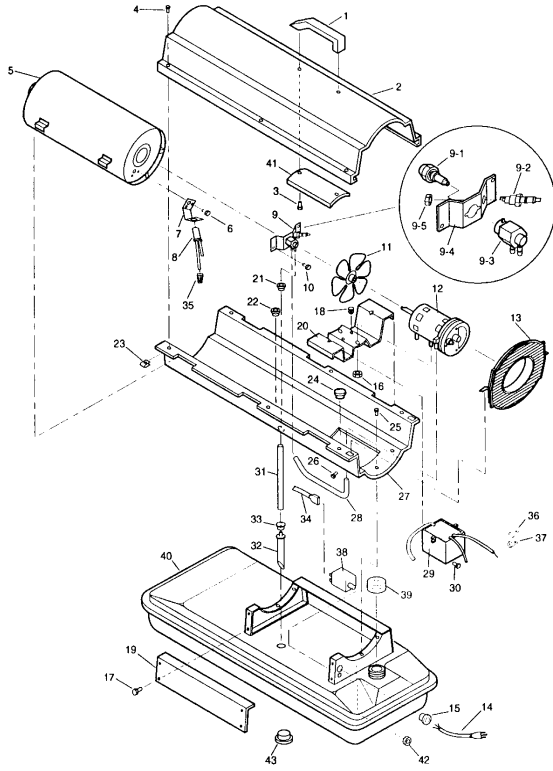
### DESA International

2701 Industrial Drive, P.O. Box 90004  
Bowling Green, KY 42102-9004  
Technical Service Department 1-800-323-5190  
Parts Department 1-800-972-7879

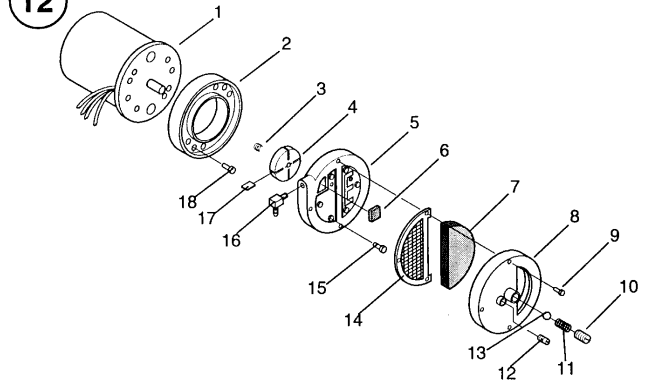
098680-01  
REV. B  
05/97

**B50E**

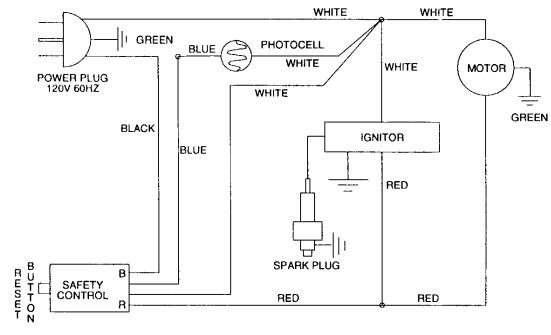
**HEATER EXPLODED VIEW**



**12 MOTOR PACKAGE ASSEMBLY**



**WIRING DIAGRAM**



**SPECIFICATIONS**

Output Rating (BTU Per Hour)	50,000
Fuel	Kerosene or #1 fuel oil
Fuel Tank Capacity (U. S. Gallons)	4
Fuel Consumption (Approximate U.S. Gallons Per Hour)	0.37
Electric Requirements	120V/60Hz
Amperage (During Normal Run)	2.5

Motor RPM	1725
Hot Air Output (Approximate CFM)	166
Air Pump Pressure (PSI)	3.6
Shipping Weight (Approximate Pounds)	43
Heater Weight Without Fuel (Approximate Pounds)	36
Duct	No Duct Recommended