

PORTABLE FORCED AIR HEATER

Illustrated Parts List

Issued: Sept., 1990

MASTER – B50F
REDDY – R50B
DESA – C50F
KNIPCO – F50G
REMINGTON –
REM50A

IMPORTANT: Do not use key numbers when ordering service parts. Always order components by part number and description. Include model and serial numbers.

KEY NO.	PART NUMBER	DESCRIPTION	QTY.	KEY NO.	PART NUMBER	DESCRIPTION	QTY.
1	M51104-01	Handle	1	21	M30865-02	Bushing	2
2	098511-54	Upper Shell (B50F)	1	22	M11271-8	Clip Nut	6
	098511-36	Upper Shell (R50B)	1	23	M50104-02	Bushing	1
	098511-70*	Upper Shell (C50F)	1	24	M11084-26	Screw, #10-16 x 3/8"	6
	098511-73	Upper Shell (F50G)	1	25	M15823-37	Screw, #8-18 x 1/4"	1
	098511-67	Upper Shell (REM50A)	1	26	098511-12	Lower Shell (B50F)	1
3	M11084-29	Screw, #10-16 x 3/4"	2		098511-18	Lower Shell (R50B)	1
4	M11084-27	Screw, #10-16 x 1/2"	6		098511-91	Lower Shell (C50F)	1
5	098512-13	Combustion Chamber	1		098511-93	Lower Shell (F50G)	1
6	M10908-2	Screw, #6-32 x 3/8"	2		098511-81	Lower Shell (REM50A)	1
7	M16660	Photocell Bracket	1	27	M29652-04	Rubber Airline	1
8	HA3019	Photocell Assembly	1	28	102482-01	Ignitor Kit	1
9	***	Burner Head Assembly	1	29	M11084-29	Screw, #10-16 x 3/4"	2
9-1	HA3007	Nozzle	1	30	079973-01	Fuel Line	1
9-2	HA3013	Spark Plug	1	31	M50876-02	Fuel Filter (With Bushing)	1
9-3	079980-01	Nozzle Adapter	1	32	M10990-3	Rubber Bushing	1
9-4	097125-01	Bracket	1	33	M16841-57	Wire Assembly (Red, 6")	1
9-5	M29824	Nut, 14mm	1	34	099125-02	Terminal Board	1
10	M11084-26	Screw, #10-16 x 3/8"	2	35	099157-01	Rivet	1
11	M30884	Fan	1	36	HA3003	Safety Control	1
12	***	Motor and Pump Assembly	1	37	097702-01	Fuel Cap (Includes Gasket)	1
12-1	102001-01	Motor	1	38	098513-20	Fuel Tank	1
12-2	079975-02	Pump Body	1		098513-27	Fuel Tank (B50F Only)	1
12-3	M22009**	Insert	1	39	M51108-01	Heat-Shell Shield	1
12-4	M22456-1**	Rotor	1	40	M27417	Drain Plug (Includes "O" Ring) (B50F Only)	1
12-5	M29608	Pump End Cover	1	41	M51017-01	Cushion Grommet (B50F Only)	3
12-6	M29632**	Lint Filter	1	PARTS AVAILABLE - NOT SHOWN			
12-7	M29633**	Intake Filter	1		097646-01	Tradename Decal (B50F)	
12-8	M29609	Filter End Cover	1		097204-02	Tradename Decal (R50B)	
12-9	M12461-31	Screw, #10-32 x 1"	3		079863-01	Tradename Decal (C50F)	
12-10	M27694**	Adjusting Screw	1		079514-01	Tradename Decal (F50G)	
12-11	M10993-1**	Pressure Relief Spring	1		097764-02	Tradename Decal (REM50A)	
12-12	M22997**	Plug	1		098493-01	General Information Decal	
12-13	M8940**	Steel Ball, 1/4" diameter	1		099176-01	Owner's Manual	
12-14	M29612-01**	Output Filter	1	OPTIONAL ACCESSORIES			
12-15	M12461-31	Screw, #10-32 x 1"	6		HA1210	Hang-up Thermostat	
12-16	M50016	Elbow, 90°	1		HA1202	Heavy Duty Wheels and Handle Kit	
12-17	M8643**	Blade	4		HA1206	Standard Wheels and Handle Kit	
12-18	FHPF3-2C	Screw, #10-32 x 1/4"	2		HA1180	Air Gauge Kit	
13	M51105-01	Fan Guard	1		HA2210	Fuel Tank Filter Screen	
14	098219-18	Power Cord	1		HA3004	Rotor Kit (M22456-1, M22009, M8643)	
15	M11143-1	Strain Relief Bushing	1		HA3014	Filter Kit (M29632, M29633, M29612-01)	
16	NTC-4C	Hex Lock Nut, 1/4-20	2		HA3020	Pump Kit (M27694, M10993-1, M22997, M8940)	
17	M11084-26	Screw, #10-16 x 3/8"	2				
18	M50631	Rubber Bumper	2				
19	M50899-03AA	Side Cover	1				
20	101205-01	Motor Bracket	1				

* No Longer Available

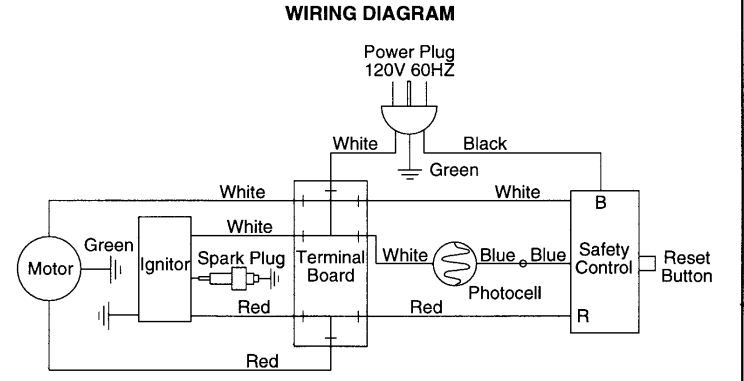
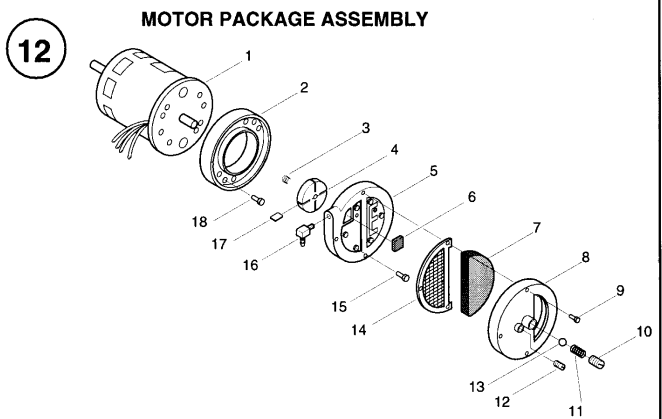
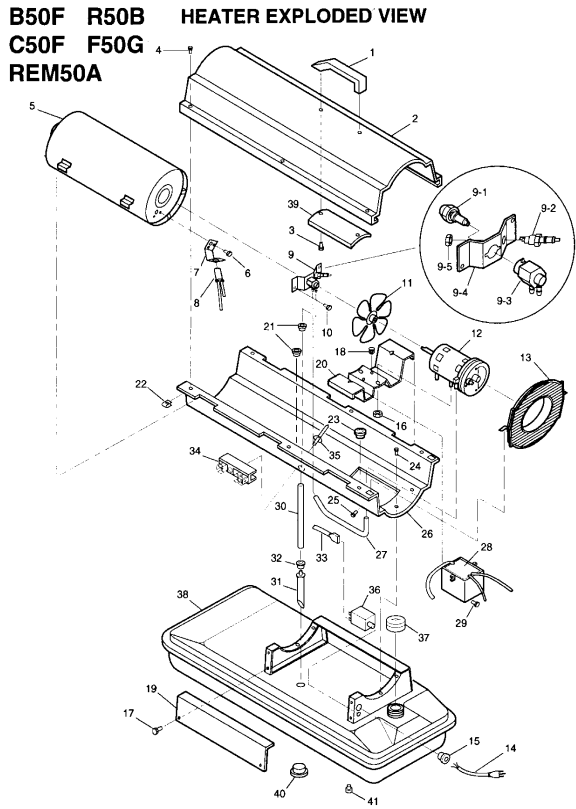
** See OPTIONAL ACCESSORIES

*** Not available as an assembly.

DESA International

2701 Industrial Drive, P.O. Box 90004
 Bowling Green, KY 42102-9004
 Technical Service Department 1-800-323-5190
 Parts Department 1-800-972-7879

099350-01
 REV. B
 11/96



SPECIFICATIONS

Output Rating (BTU Per Hour)	50,000	Motor RPM	1725
Fuel	Kerosene or #1 fuel oil	Hot Air Output (Approximate CFM)	165
Fuel Tank Capacity (U. S. Gallons)	4	Air Pump Pressure (PSI)	3.6
Fuel Consumption (Approximate U.S. Gallons Per Hour)	0.37	Shipping Weight (Approximate Pounds)	35
Electric Requirements	120V/60Hz	Heater Weight Without Fuel (Approximate Pounds)	30
Amperage (During Normal Run)	2.0		