

## PORTABLE FORCED AIR HEATER

### *Illustrated Parts List*

Issued: Sept., 1990

**HANDYMASTER – HM70**  
**MASTER – B70B**  
**REDDY – R70B**

**IMPORTANT:** Do not use key numbers when ordering service parts. Always order components by part number and description. Include model and serial numbers.

KEY NO.	PART NUMBER	DESCRIPTION	QTY.	KEY NO.	PART NUMBER	DESCRIPTION	QTY.
1	M51104-01	Handle	1	19	M50631	Rubber Bumper	2
2	098511-159	Upper Shell (HM70)	1	20	101205-01	Motor Bracket	1
	098511-54	Upper Shell (B70B)	1	21	M30865-02	Bushing	2
	098511-36	Upper Shell (R70B)	1	22	M11271-8	Clip Nut	6
3	M11084-29	Screw, #10-16 x 3/4"	2	23	M50104-02	Bushing	1
4	M11084-27	Screw, #10-16 x 1/2"	6	24	M11084-26	Screw, #10-16 x 3/8"	6
5	098512-12	Combustion Chamber	1	25	M15823-37	Screw, #8-18 x 1/4"	1
6	M10908-2	Screw, #6-32 x 3/8"	2	26	098511-160	Lower Shell (HM70)	1
7	M16660	Photocell Bracket	1		098511-12	Lower Shell (B70B)	1
8	HA3019	Photocell Assembly	1		098511-18	Lower Shell (R70B)	1
9	***	Burner Head Assembly	1	27	M29652-04	Airline	1
9-1	HA3008	Nozzle with Sleeve	1	28	102482-01	Ignitor Kit	1
9-2	M10659-1	Nozzle Seal Washer	2	29	M11084-29	Screw, #10-16 x 3/4"	2
9-3	M10809-1	Nozzle Seal Spring	1	30	079973-01	Fuel Line	1
9-4	M8882	Nozzle Sleeve	1	31	M50876-05	Fuel Filter (With Bushing)	1
9-5	M51098-02	Burner Head Body	1	32	M10990-3	Rubber Bushing	1
9-6	M50820-01	Barb Fitting	2	33	099125-03	Terminal Board	1
9-7	HA3012	Spark Plug	1	34	099157-01	Rivet	1
10	M11084-27	Screw, #10-16 x 1/2"	3	35	HA3003	Safety Control	1
11	M51107-01	Fan	1	36	097702-01	Fuel Cap Kit (Includes Gasket)	1
12	***	Motor and Pump Assembly	1	37	098219-18	Power Cord	1
12-1	097308-02	Motor	1	38	M11143-1	Strain Relief Bushing	1
12-2	079975-02	Pump Body	1	39	M11084-26	Screw, #10-16 x 3/8"	2
12-3	M22009**	Insert	1	40	M50899-03AA	Side Cover	1
12-4	M22456-1**	Rotor	1	41	079010-18	Wire Assembly (Red, 14 1/2")	1
12-5	M29608	Pump End Cover	1	42	099177-01	Hex Nut	1
12-6	M29632**	Lint Filter	1	<b>PARTS AVAILABLE - NOT SHOWN</b>			
12-7	M29633**	Intake Filter	1		078949-02	Tradename Decal (HM70)	
12-8	M29609	Filter End Cover	1		097646-02	Tradename Decal (B70B)	
12-9	M12461-31	Screw, #10-32 x 1"	3		097204-03	Tradename Decal (R70B)	
12-10	M27694**	Adjusting Screw	1		098493-01	General Information Decal	
12-11	M10993-1**	Pressure Relief Spring	1		099642-01	Owner's Manual (HM70)	
12-12	M22997**	Plug	1		099176-01	Owner's Manual (B70B & R70B)	
12-13	M8940**	Steel Ball, 1/4" diameter	1		M51017-01	Tank Cushion Grommet (B70B)	3
12-14	M29612-01**	Output Filter	1	<b>OPTIONAL ACCESSORIES</b>			
12-15	M12461-31	Screw, #10-32 x 1"	6		HA1210	Hang-up Thermostat	
12-16	M50016	Elbow, 90°, Barb Fitting	1		HA1202	Heavy Duty Wheels and Handle Kit	
12-17	M8643**	Blade	4		HA1206	Standard Wheels and Handle Kit	
12-18	FHPF3-3C	Screw, #10-32 x 3/8 "	2		HA1180	Air Gauge Kit	
13	M51105-01	Fan Guard	1		HA2210	Fuel Tank Filter Screen	
14	M16841-57	Wire Assembly (Red, 6")	1		HA3004	Rotor Kit (M22456-1, M22009, M8643)	
15	097061-01	Solid State Relay	1		HA3014	Filter Kit (M29632, M29633, M29612-01)	
16	M15823-39	Screw, #8-18 x 1/2"	2		HA3020	Pump Kit (M27694, M10993-1, M22997, M8940)	
17	NTC-4C	Hex Lock Nut, 1/4-20	2				
18	098513-24	Fuel Tank (HM70 & R70B)	1				
	098513-62	Fuel Tank (B70B)	1				

\*\* See OPTIONAL ACCESSORIES

\*\*\* Not available as an assembly.

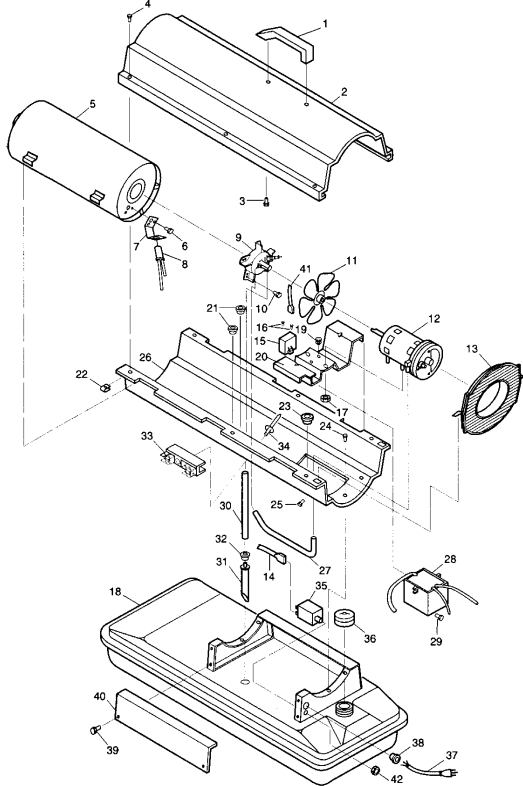
### DESA International

2701 Industrial Drive, P.O. Box 90004  
 Bowling Green, KY 42102-9004  
 Technical Service Department 1-800-323-5190  
 Parts Department 1-800-972-7879

099354-01  
 REV. C  
 11/96

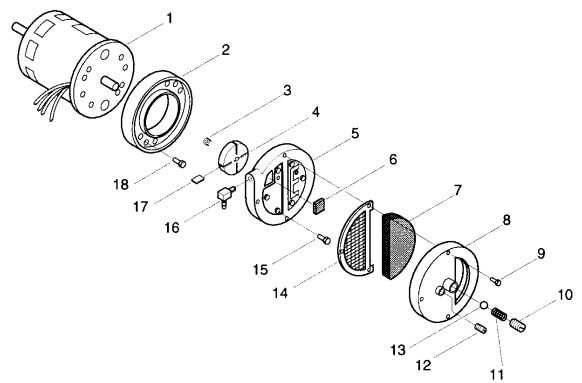
HM70  
B70B  
R70B

**HEATER EXPLODED VIEW**



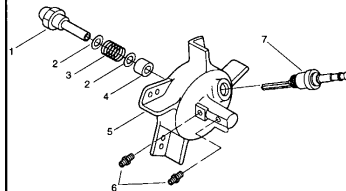
12

**MOTOR PACKAGE ASSEMBLY**

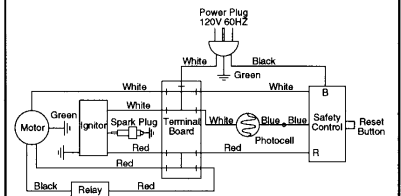


**BURNER HEAD ASSEMBLY**

9



**WIRING DIAGRAM**



**SPECIFICATIONS**

Output Rating (BTU Per Hour)	70,000
Fuel	Kerosene or #1 fuel oil
Fuel Tank Capacity (U. S. Gallons)	5
Fuel Consumption (Approximate U.S. Gallons Per Hour)	0.52
Electric Requirements	120V/60Hz
Amperage (During Normal Run)	2.5
Starting Amps	8

Motor RPM	3450
Hot Air Output (Approximate CFM)	250
Air Pump Pressure (PSI)	4.0
Shipping Weight (Approximate Pounds)	36
Heater Weight Without Fuel (Approximate Pounds)	31