

Issued: Nov. 1987
Revised: April 1996

PORTABLE FORCED AIR HEATER

Illustrated Parts List

REDDY
R70A

IMPORTANT: Do not use key numbers when ordering service parts. Always order components by part number and description. Include model and serial numbers.

KEY NO.	PART NUMBER	DESCRIPTION	QTY.	KEY NO.	PART NUMBER	DESCRIPTION	QTY.
1	M51104-01	Handle	1	14	M16841-16	Wire Assembly (Red, 6")	1
2	098511-36	Upper Shell	1	15	097061-01	Solid State Relay	1
3	M11084-29	Screw, #10-16 x 3/4"	2	16	M15823-39	Screw, #8-18 x 1/2"	2
4	100647-01	Screw, #10-16 x 1/2"	6	17	NTC-4C	Hex Lock Nut, 1/4-20	2
5	098512-12	Combustion Chamber	1	18	098513-24	Fuel Tank	1
6	M10908-2	Screw, #6-32 x 3/8"	2	19	M50631	Rubber Bumper	2
7	M16660	Photocell Bracket	1	20	101205-01	Motor Bracket	1
8	HA3019	Photocell Assembly	1	21	M30865-02	Bushing	1
9	***	Burner Head Assembly	1	22	M25907	Bushing	1
9-1	HA3008	Nozzle (Including Sleeve)	1	23	M11271-8	Clip Nut	6
9-2	M10659-1	Nozzle Seal Washer	2	24	M50104-02	Bushing	1
9-3	M108091	Nozzle Seal Spring	1	25	M11084-26	Screw, #10-16 x 3/8	6
9-4	M8882	Nozzle Seal	1	26	M15823-37	Screw, #8-18 x 1/4"	1
9-5	M51098-02	Burner Head Body	1	27	098511-18	Lower Shell	1
9-6	M50820-01	Barb Fitting	2	28	M29652-04	Airline	1
9-7	HA3012	Spark Plug	1	29	102482-01	Ignitor Kit	1
10	M11084-27	Screw, #10-16 x 1/2"	3	30	M11084-29	Screw, #10-16 x 3/4"	2
11	M51107-01	Fan	1	31	079973-01	Fuel Line	1
12	***	Motor and Pump Assembly	1	32	M50876-05	Fuel Filter (With Bushing)	1
12-1	097308-02	Motor	1	33	M10990-3	Rubber Bushing	1
12-2	079975-02	Pump Body	1	34	**	Wire Connector (Red Wires)	1
12-3	M22009	Insert	1	35	**	Wire Connector (Blue Wires)	1
12-4	M22456-1	Rotor	1	36	HA3003	Safety Control	1
12-5	M29608	Pump End Cover	1	37	097702-01	Fuel Cap Kit (Includes Gasket)	1
12-6	M29632	Lint Filter	1	38	098219-18	Power Cord	1
12-7	M29633	Intake Filter	1	39	M11143-1	Strain Relief Bushing	1
12-8	M29609	Filter End Cover	1	40	M11084-26	Screw, #10-16 x 3/8	2
12-9	M12461-31	Screw, #10-32 x 1"	3	41	M50899-03AA	Side Cover	1
12-10	M27694	Adjusting Screw	1	42	**	Wire Connector (White Wires)	1
12-11	M10993-1	Pressure Relief Spring	1	43 Δ	079010-06	Wire Assembly (Red, 14 1/2")	1
12-12	M22997	Plug	1	OPTIONAL ACCESSORIES			
12-13	M8940	Steel Ball, 1/4" diameter	1		HA1210	Hang-up Thermostat	
12-14	M29612-01	Output Filter	1		HA1202	Heavy Duty Wheels and Handle Kit	
12-15	M12461-31	Screw, #10-32 x 1"	6		HA1206	Standard Wheels and Handle Kit	
12-16	M50016	Elbow, 90°, Barb Fitting	1		HA1180	Air Gauge Kit	
12-17	M8643	Blade	4				
12-18	FHPF3-2C	Screw, #10-32 x 1/4"	2				
13	M51105-01	Fan Guard	1				

** Available at your local hardware store.

*** Not available as an assembly.

Δ No longer available.

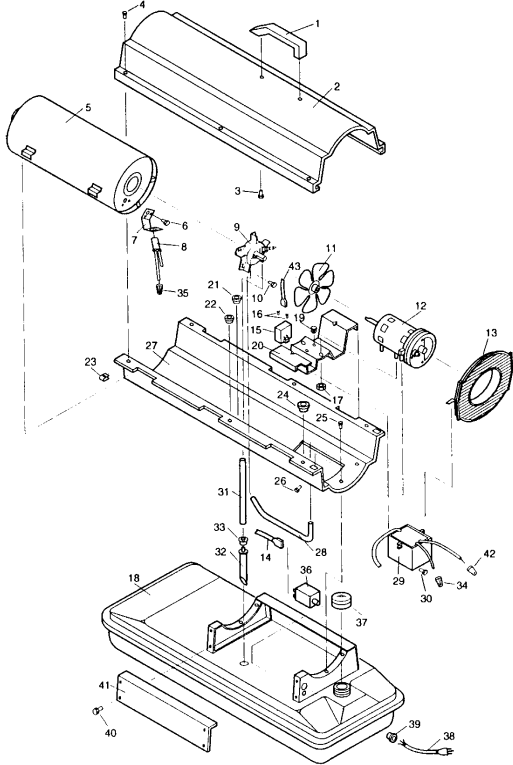
DESA International

2701 Industrial Drive, P.O. Box 90004
Bowling Green, KY 42102-9004
Technical Service Department 1-800-323-5190
Parts Department 1-800-972-7879

097705-01
REV. E
05/97

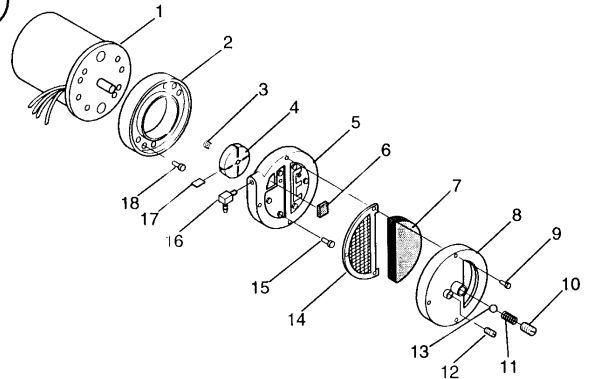
R70A

HEATER EXPLODED VIEW

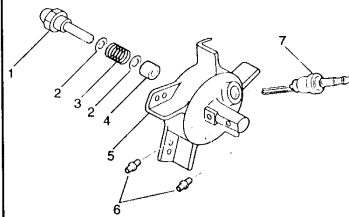


12

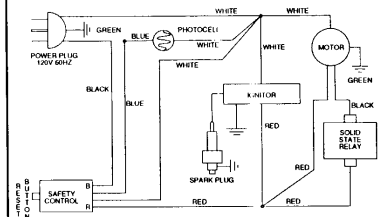
MOTOR PACKAGE ASSEMBLY



BURNER HEAD ASSEMBLY



WIRING DIAGRAM



SPECIFICATIONS

Output Rating (BTU Per Hour)	70,000
Fuel	Kerosene or #1 fuel oil
Fuel Tank Capacity (U. S. Gallons)	5
Fuel Consumption (Approximate U.S. Gallons Per Hour)	0.52
Electric Requirements	120V/60Hz
Amperage (During Normal Run)	2.7
Starting Amps	8

Motor RPM	3450
Hot Air Output (Approximate CFM)	253
Air Pump Pressure (PSI)	4.0
Shipping Weight (Approximate Pounds)	44
Heater Weight Without Fuel (Approximate Pounds)	37