

Homelite®

Issued: Nov. 1987

PORTABLE FORCED AIR HEATER Illustrated Parts List

HH150

IMPORTANT: Do not use key numbers when ordering service parts. Always order components by part number and description. Include model and serial numbers.

KEY NO.	PART NUMBER	DESCRIPTION	QTY.	KEY NO.	PART NUMBER	DESCRIPTION	QTY.
1	098511-50	Upper Shell	1	16-17	097308-04	Motor	1
2	098068-01	Heat Deflector Kit	1	17	M16661	Motor Clamp	4
3	098512-18	Combustion Chamber	1	18	M51043-01	Bolt, 1/4-20 x 1 1/2"	2
4	M11084-29	Screw, #10-16 x 3/4"	2	19	WLM-4	Lockwasher, 1/4 "	2
5	M11084-29	Screw, #10-16 x 3/4"	2	20	NPC-4C	Hex Lock Nut, 1/4-20	2
6	HA3019	Photocell Assembly (5")	1	21	098511-25	Lower Shell	1
7	M16660	Photocell Bracket	1	22	M11084-27	Screw, #10-16 x 1/2"	6
8	M10908-2	Screw, #6-32 x 3/8"	2	23	M11271-8	Clip Nut	7
9	***	Burner Head Assembly	1	24	M12828	Shell Support Bracket	1
9-1	M16790-12	Fuel Line	1	25	M11084-27	Screw, #10-16 x 1/2"	8
9-2	M19630	Filter Filter (10")	1	26	M11084-29	Screw, #10-16 x 3/4"	2
9-3	M50660-05	Flare Nut	1	27	M50104-03	Shorty Bushing	2
9-4	079685-01	Male Connector	1	28	HA3003	Safety Control (10")	1
9-5	M50820-02	Barb Fitting	1	29	097061-01	Solid State Relay	1
9-6	M8882	Nozzle Seal	1	30	M15823-39	Screw, #8-18 x 1/2"	2
9-7	M10659-1	Nozzle Washer (5")	2	31	097060-01	Solid State Relay Bracket	1
9-8	M10809-1	Nozzle Spring (5")	1	32	M11084-27	Screw, #10-16 x 1/2"	1
9-9	HA3011	1.1 GPH Nozzle (5")	1	33	M16645	Motor Support Bracket	1
9-10	HA3012	Spark Plug (10")	1	34	M30865-04	Bushing	1
9-11	M50924-01	Burner Head Body	1	35	102482-01	Ignitor Kit	1
10	M11084-27	Screw, #10-16 x 1/2"	3	36	M11084-29	Screw, #10-16 x 3/4"	2
11	M50814-03	Airline Tubing	1	37	M11143-1	Strain Relief Bushing	1
12	M50873-01	Airline Clip	9	38	099896-03	Power Cord	1
13	M16841-16	Wire Assembly (Red, 6")	2	39	098513-08	Fuel Tank	1
14	M11084-27	Screw, #10-16 x 1/2"	1	40	097702-01	Fuel Cap (Includes Gasket)	1
15	M17058	Fan	1	41	M10990-3	Rubber Bushing	1
16	***	Motor and Pump Assembly	1	42	M11084-27	Screw, #10-16 x 1/2"	2
16-1	M16545	Filter End Cover (5")	1	43	M11084-27	Screw, #10-16 x 1/2"	2
16-2	M12461-31	Screw, #10-32 x 1"	10	44	M27417	Drain Plug	1
16-3	M12179	Intake Filter (10")	1	45	**	Wire Connector (Blue Wires)	1
16-4	M12244-1	Output Filter (10")	1	46	**	Wire Connector (Red Wires)	1
16-5	M11637	Lint Filter (10")	1	47	**	Wire Connector (White Wires)	1
16-6	M50545	Pump End Cover	1	PARTS AVAILABLE - NOT SHOWN			
16-7	M8643	Blade	4		097896-01	Wheel	2
16-8	M22456-1	Pump Rotor (5")	1		M16801-2	Axle	1
16-9	M22009	Rotor Insert (10")	1		M12831-3	Wheel Support Frame	1
16-10	079975-02	Pump Body	1		HA2204	Front Handle	1
16-11	FHPF3-2C	Screw, #10-32 x 1/4"	2		M12345-33	Screw, #10-24 x 1 3/4"	8
16-12	M50820-02	Barb Fitting	1		M28526	Nut Cap	2
16-13	M22997	Plug	1		NTC-3C	Hex Lock Nut, #10-24	8
16-14	M27694	Adjusting Screw	1		097886-04	Tradename Decal	
16-15	M10993-1	Relief Spring	1		098493-01	General Information Decal	
16-16	M8940	Ball, 1/4" diameter	1				

* Recommended stock order

** Available at your local hardware store.

*** Not available as an assembly.

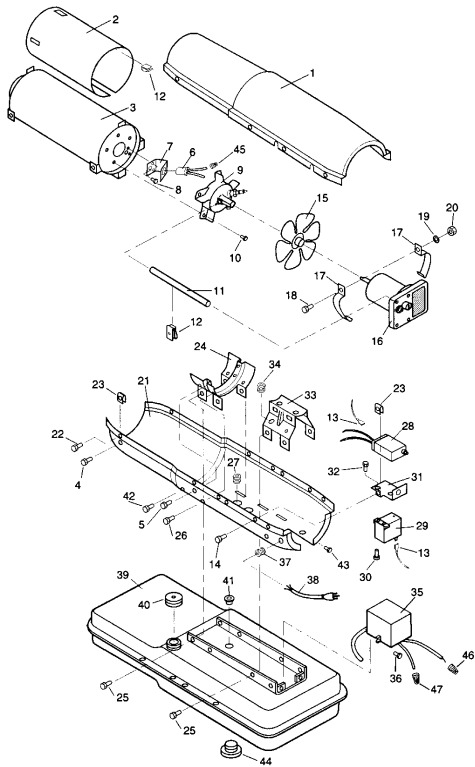
098125-01

REV. C

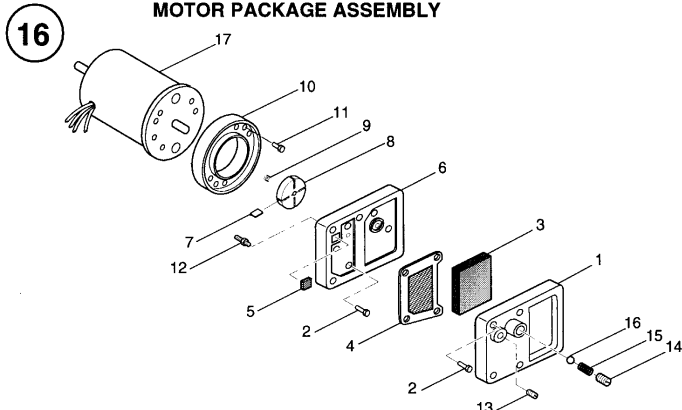
11/96

HH150

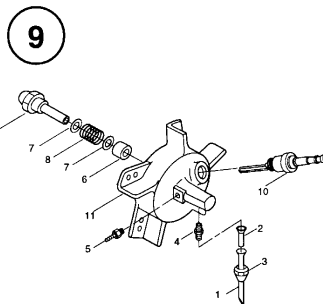
HEATER EXPLODED VIEW



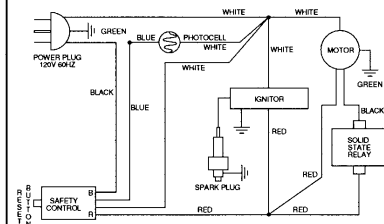
MOTOR PACKAGE ASSEMBLY



BURNER HEAD ASSEMBLY



WIRING DIAGRAM



SPECIFICATIONS

Output Rating (BTU Per Hour)	150,000	Motor RPM	3450
Fuel	Kerosene or #1 fuel oil	Hot Air Output (Approximate CFM)	648
Fuel Tank Capacity (U. S. Gallons)	13.5	Air Pump Pressure (PSI)	5.0
Fuel Consumption (Approximate U.S. Gallons Per Hour)	1.1	Shipping Weight (Approximate Pounds)	94
Electric Requirements	120V/60Hz	Heater Weight Without Fuel (Approximate Pounds)	77
Amperage (During Normal Run)	4.5		
Starting Amps	10		