

## PORTABLE FORCED AIR HEATER *Illustrated Parts List*

**REMINGTON  
REM100**

**IMPORTANT:** Do not use key numbers when ordering service parts. Always order components by part number and description. Include model and serial numbers.

KEY NO.	PART NUMBER	DESCRIPTION	QTY.	KEY NO.	PART NUMBER	DESCRIPTION	QTY.
1	098511-66	Upper Shell	1	20	M51150-01	Fuel Filter	1
2	M15823-27	Screw, #10-16 x 1/2"	8	21	M51151-01	Fuel Line Tube	1
3	098512-07	Combustion Chamber	1	22	M10990-3	Rubber Bushing	1
4	M16660	Photocell Bracket	1	23	M50814-06	Airline	1
5	M10908-2	Screw, #6-32 x 3/8"	2	24	098511-82	Lower Shell	1
6	HA3019	Photocell Assembly	1	25	M30865-02	Bushing	1
7	***	Burner Head Assembly	1	26	M50104-02	Bushing	1
7-1	HA3009	Nozzle (Including Sleeve)	1	27	M11084-27	Screw, #10-16 x 1/2"	6
7-2	M10659-1	Nozzle Washer	2	28	M11271-8	Clip Nut	8
7-3	M10809-1	Nozzle Spring	1	29	M15823-37	Screw, #8-18 x 1/4"	1
7-4	M8882	Nozzle Sleeve	1	30	098513-21	Fuel Tank	1
7-5	M50924-03	Burner Head Body	1	31	097702-01	Fuel Cap (Includes Gasket)	1
7-6	M50820-02	Barb Fitting	2	32	HA3003	Safety Control	1
7-7	HA3012	Spark Plug	1	33	M27417	Drain Plug (Includes "O" Ring)	1
8	M11084-27	Screw, #10-16 x 1/2"	3	34	M11143-1	Strain Relief Bushing	1
9	M51153-01	Fan	1	35	099896-03	Power Cord	1
10	***	Motor and Pump Assembly	1	36	M51077-01AA	Side Cover	1
10-1	097300-02	Motor (Split Phase)	1	37	M11084-27	Screw, #10-16 x 1/2"	4
10-2	079975-02	Pump Body	1	38	**	Wire Connector (Blue Wires)	1
10-3	FHPF3-2C	Screw, #10-32 x 1/2"	2	39	**	Wire Connector (Red Wires)	1
10-4	M22009	Rotor Insert	1	40	**	Wire Connector (White Wires)	1
10-5	M22456-1	Pump Rotor	1	41	M16841-16	Wire Assembly (Red, 6")	1
10-6	M50545	Pump End Cover	1	42 Δ	079010-06	Wire Assembly (Red, 14 1/2")	1
10-7	M12179	Intake Filter	1	<b>PARTS AVAILABLE - NOT SHOWN</b>			
10-8	M16545	Filter End Cover	1		097896-01	Wheels	2
10-9	M8940	Steel Ball, 1/4" diameter	1		M51015-01	Axle	1
10-10	M10993-1	Relief Spring	1		M12342-3	Wheel Support Frame	1
10-11	M27694	Adjusting Screw	1		HA2203	Front Handle	1
10-12	M22997	Plug	1		M12345-33	Screw, #10-24 x 3/4"	8
10-13	M12461-31	Screw, #10-32 x 1"	10		M28526	Nut Cap	2
10-14	M12244-1	Output Filter	1		NTC-3C	Hex Lock Nut, #10-24	8
10-15	M11637	Lint Filter	1		097773-01	Tradename Decal	
10-16	M50820-02	Barb Fitting	1		098493-01	General Information Decal	
10-17	M8643	Blade	4	<b>OPTIONAL ACCESSORIES</b>			
11	M50631	Rubber Bumper	2		HA1210	Hang-up Thermostat	
12	098138-02	Motor Mounting Bracket	1		HA1180	Air Gauge Kit	
13	097061-01	Solid State Relay	1				
14	M15823-39	Screw, #8-18 x 1/2"	2				
15	NTC-4C	Hex Lock Nut, 1/4-20	2				
16	M51114-01	Fan Guard	1				
17	102482-01	Ignitor Kit	1				
18	M11084-29	Screw, #10-16 x 3/4"	2				
19	M51345-01	Fuel Line	1				

\*\* Available at your local hardware store.

\*\*\* Not available as an assembly.

Δ No longer available.

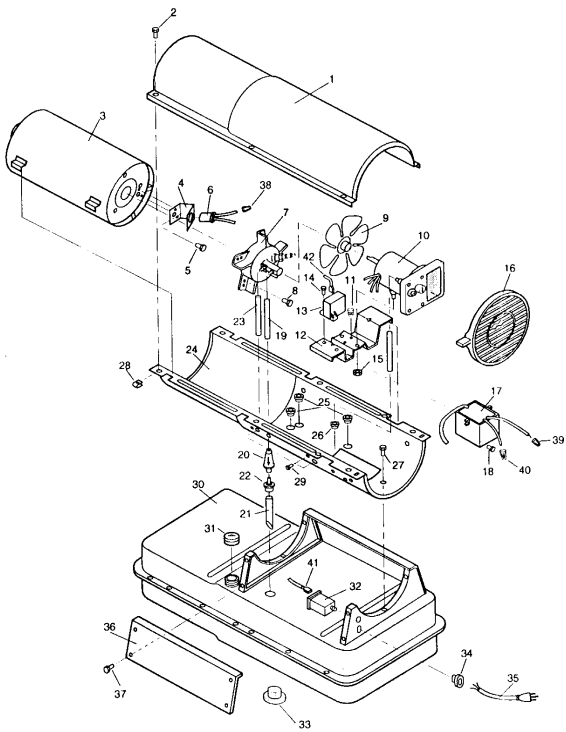
### DESA International

2701 Industrial Drive, P.O. Box 90004  
Bowling Green, KY 42102-9004  
Technical Service Department 1-800-323-5190  
Parts Department 1-800-972-7879

097900-01  
REV. D  
05/97

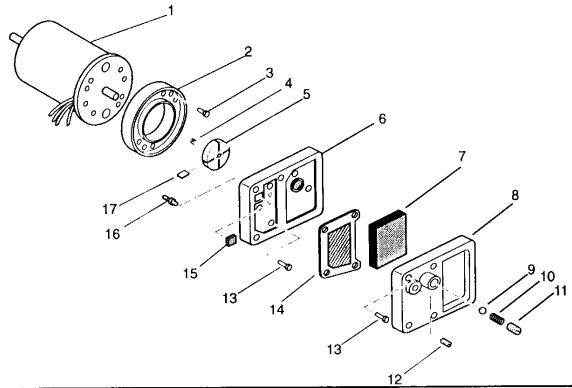
**REM100**

**HEATER EXPLODED VIEW**

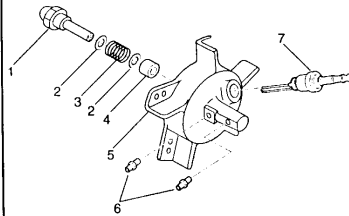


**10**

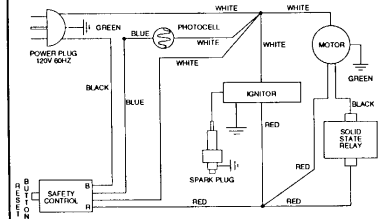
**MOTOR PACKAGE ASSEMBLY**



**BURNER HEAD ASSEMBLY**



**WIRING DIAGRAM**



**SPECIFICATIONS**

Output Rating (BTU Per Hour)	100,000
Fuel	Kerosene or #1 fuel oil
Fuel Tank Capacity (U. S. Gallons)	9
Fuel Consumption (Approximate U.S. Gallons Per Hour)	0.74
Electric Requirements	120V/60Hz
Amperage (During Normal Run)	5
Starting Amps	10

Motor RPM	3450
Hot Air Output (Approximate CFM)	481
Air Pump Pressure (PSI)	4.0
Shipping Weight (Approximate Pounds)	64
Heater Weight Without Fuel (Approximate Pounds)	55