

GAS CONSTRUCTION HEATER

Illustrated Parts List

Issued: Nov. 1988

BLP45
RLP45

IMPORTANT: Do not use key numbers when ordering service parts. Always order components by part number and description. Include model and serial numbers.

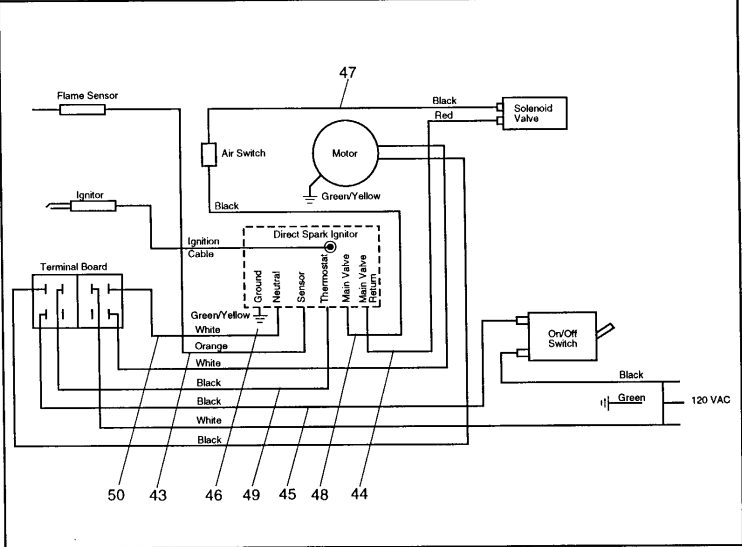
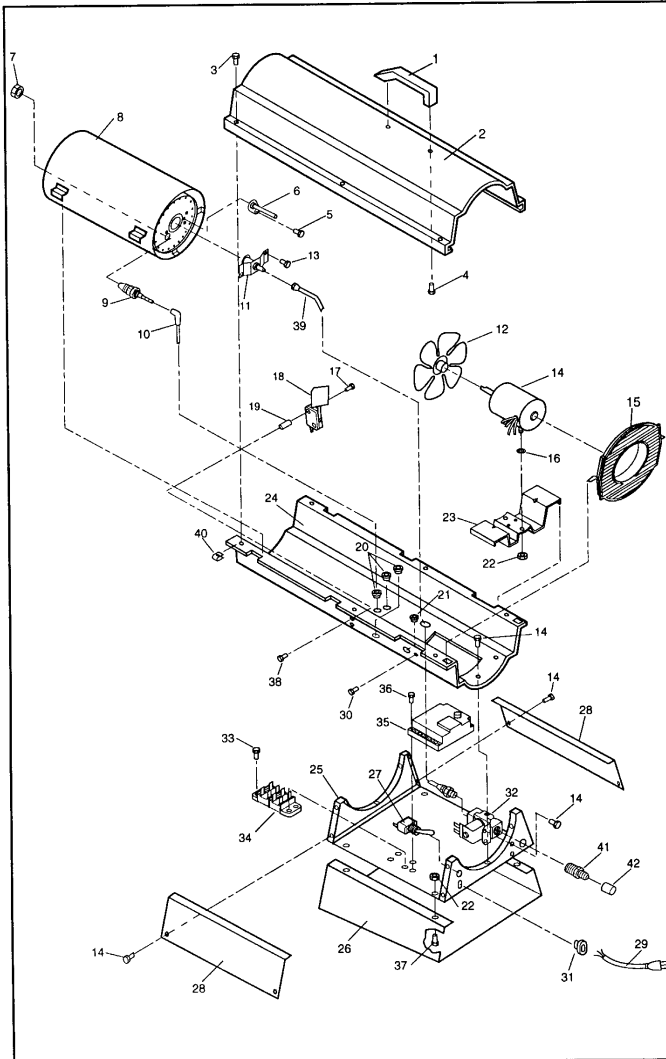
KEY NO.	PART NUMBER	DESCRIPTION	BLP QTY.	RLP QTY.	KEY NO.	PART NUMBER	DESCRIPTION	BLP QTY.	RLP QTY.
1	M51104-01	Handle	1	1	39	M51569-02	Fuel Tube Assembly	1	1
2	098511-54	Upper Shell	1		40	M11271-8	Clip Nut	6	6
	098511-36	Upper Shell		1	41	M51572-01	Male Connector	1	1
3	M15823-27	Screw, #10-16 x 1/2"	6	6	42	078978-02	Sleeve Cap	1	1
4	M11084-29	Screw, #10-16 x 3/4"	2	2	43	*	Assy. Wire (Orange, 11 1/2")	1	1
5	M10908-2	Screw, #6-32 x 3/8"	1	1	44	*	Assembly Wire (Red, 6")	1	1
6	M51580-01	Flame Sensor	1	1	45	*	Assembly Wire (Black, 10")	1	1
7	M29824	Nut, 14MM	1	1	46	*	Assy. Wire (Green/Yellow, 6")	1	1
8	098512-24	Combustion Chamber	1	1	47	*	Assembly Wire (Black, 15")	1	1
9	M29835	Spark Plug	1	1	48	*	Assembly Wire (Black, 6")	1	1
10	078966-01	Ignition Cable	1	1	49	*	Assembly Wire (Black, 8")	1	1
11	078980-03	Nozzle Assembly (Includes Bracket & Retaining Ring)	1	1	50	*	Assembly Wire (White, 6")	1	1
12	M50893-01	Fan	1	1					
13	M11084-26	Screw, #10-16 x 3/8"	14	14					
14	079054-01	Motor	1	1					
15	078975-01	Fan Guard	1	1					
16	M51161-01	Rubber Washer	2	2					
17	079083-04	Screw, #4-40 x 5/8"	2	2					
18	079147-02	Air Switch Assembly	1	1					
19	079082-01	Tapped Spacer	2	2					
20	M25907	Snap Bushing	3	3					
21	M50104-02	Shorty Bushing	1	1					
22	NTC-4C	Hex Lock Nut	6	6					
23	098138-01	Motor Bracket	1	1					
24	098511-98	Lower Shell	1						
	098511-97	Lower Shell		1					
25	079047-01AA	Lower Shell Cradle	1	1					
26	097903-01	Base	1	1					
27	098226-01	On/Off Switch	1	1					
28	M50899-03AA	Side Cover	2	2					
29	098219-10	Power Cord	1	1					
30	M11084-38	Screw, #8-18 x 3/8"	1	1					
31	M11143-1	Strain Relief Bushing	1	1					
32	079473-02	Solenoid Valve Assembly	1	1					
33	M15823-39	Screw, #8-15 x 1/2"	2	2					
34	M51584-01	Terminal Board	1	1					
35	M51605-01	D.S.I. Control	1	1					
36	079007-06	Screw, #6-20 x 7/8"	2	2					
37	HC4-3C	Screw, 1/4-20 x 3/8"	4	4					
38	079083-01	Screw, #4-40 x 1/4"	2	2					
PARTS AVAILABLE - NOT SHOWN									
						097647-01	Tradename Decal	2	
						097941-03	Tradename Decal		2
						079827-01	Gen. Information Decal	1	
						079827-02	Gen. Information Decal		1
OPTIONAL ACCESSORIES									
						HA1210	Hang-up Thermostat		
						LPA3010	Regulator & Hose Assembly (Includes POL Adapter)		
						LPA2070	Regulator		
						LPA1000	Hose Assembly		
						LPA4020	Excess-Flow POL Adapter		

* Can be purchased locally.

DESA International

2701 Industrial Drive, P.O. Box 90004
Bowling Green, KY 42102-9004
Technical Service Department 1-800-323-5190
Parts Department 1-800-972-7879

098622-01
REV. D
1/96



SPECIFICATIONS

Output Rating (BTU/HR)	45,000
Fuel	Propane Vapor Only
Fuel Consumption	
Gallons/Hr	0.5
Pounds/Hr	2.1
Supply Gas Pressure	10 P.S.I. (Minimum)
Regulator Outlet Pressure	10" W.C.
Manifold Pressure	9" W.C.
Air Output	180 C.F.M.
Electrical Requirements	120 Vac./60 Hz.
Amperage	3.0
Weight	25 Lbs.

098622-01
REV.D 1/96