

Issued: Nov., 1988

GAS CONSTRUCTION HEATER

Illustrated Parts List

BLP150
RLP150

IMPORTANT: Do not use key numbers when ordering service parts. Always order components by part number and description. Include model and serial numbers.

KEY NO.	PART NUMBER	DESCRIPTION	BLP QTY	RLP QTY	KEY NO.	PART NUMBER	DESCRIPTION	BLP QTY	RLP QTY
1	M15823-27	Screw, #10 - 16 x 1/2"	6	6	40	M11143-1	Strain Relief Bushing	1	1
2	M51104-01	Handle	1	1	41	099896-05	Power Cord	1	1
3	098511-114	Upper Shell (With 8 Screw)	1		42	078978-01	Sleeve Cap	1	1
	098511-116	Upper Shell (With 8 Screw)		1	43	M51584-01	Terminal Board	1	1
4	M51108-01	Heat Shield	1	1	44	079147-01	Air Switch Assembly	1	1
5	M11084-29	Screw, #10 - 16 x 3/4"	2	2	45	FHC00-6C	Screw, #4 - 40 x 3/4"	2	2
6	098512-04	Combustion Chamber	1	1	46	NPC-00C	Nut, 4 - 40	2	2
7	M29824	Nut, 14MM	1	1	47	*	Air Switch Bracket	1	1
8	M51580-01	Flame Sensor	1	1	48	**	Wire Assembly (Black, 10")	1	1
9	M10908-2	Screw, #6 - 32 x 3/8"	1	1	49	**	Wire Assembly (White, 6")	1	1
10	M11084-26	Screw, #10 - 16 x 3/8"	2	2	50	**	Wire Assembly (Orange, 14")	1	1
11	078980-01	Nozzle Assembly (Includes Bracket & Retaining Ring)	1	1	51	**	Wire Assembly (Black, 6")	1	1
12	M11084-38	Screw, #8 - 18 x 3/8"	1	1	52	**	Wire Assembly (Black, 8")	1	1
13	M11084-27	Screw, #10 - 16 x 1/2"	16	16	53	**	Wire Assembly (Black, 15")	2	2
14	M23147	Fan	1	1	54	**	Wire Assembly (Red, 14")	1	1
15	099131-01	Motor	1	1	55	**	Wire Assembly (Green/Yellow, 6")	1	1
16	M51114-01	Fan Guard	1	1	56	M51572-02	Male Connector	1	1
17	M29835	Spark Plug	1	1	PARTS AVAILABLE - NOT SHOWN				
18	078966-01	Ignition Cable	1	1		*	Tradename Decal	2	
19	M15823-27	Screw, #8 - 18 x 1/4"	2	2		*	General Information Decal	1	
20	M12461-13	Screw, #8 - 32 x 1/4"	2	2		*	General Information Decal		1
21	098138-02	Motor Bracket Assembly	1	1		LPA3020	Regulator and Hose Assembly (Includes P.O.L. Adapter)	1	1
22	M50631	Rubber Bumper	2	2		LPA2090	Regulator Valve	1	1
23	098511-115	Lower Shell (With 8 Screw)	1			LPA1010	Hose Assembly	1	1
	098511-117	Lower Shell (With 8 Screw)		1		098511-59	Upper and Lower Shells (Replace Shells Which Have 6 Screws)	1	
24	M25907	Snap Bushing	3	3		098511-103	Upper and Lower Shells (Replace Shells Which Have 6 Screws)		1
25	097776-01	Shorty Bushing	2	2		LPA4020	Excess Flow P.O.L. Adapter	1	1
26	NTC-4C	Hex Jam Nut	2	2	OPTIONAL ACCESSORIES				
27	098165-01	Relay	1	1		HA1210	Hang-up Thermostat		
28	M11271-8	Clip Nut	6	6					
29	M51569-01	Fuel Tube	1	1					
30	079007-06	Screw, #6 - 20 x 7/8"	2	2					
31	M15823-39	Screw, #8 - 15 x 1/2"	2	2					
32	M51605-01	D.S.I. Control	1	1					
33	079473-01	Solenoid Valve	1	1					
34	M51077-01AA	Side Cover	2	2					
35	**	Nut, 1/4 - 20	6	6					
36	*	Lower Shell Cradle	1	1					
37	*	Base	1	1					
38	098226-01	On/Off Switch	1	1					
39	**	Bolt, 1/4 - 20 x 3/8"	4	4					

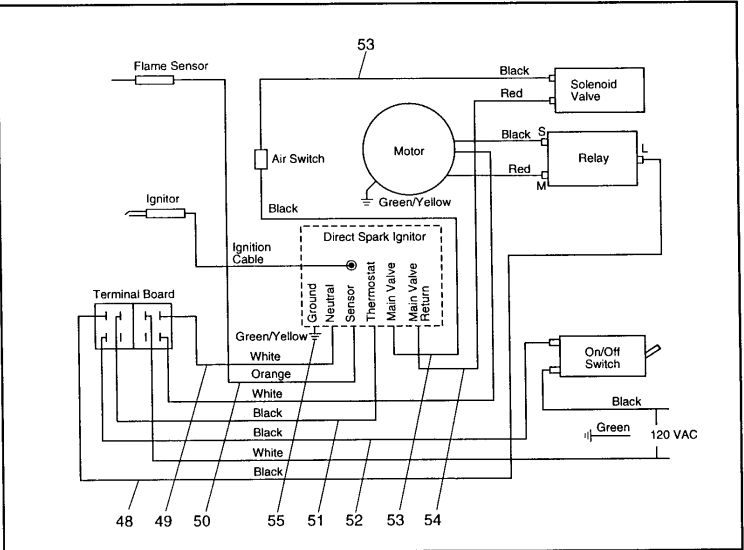
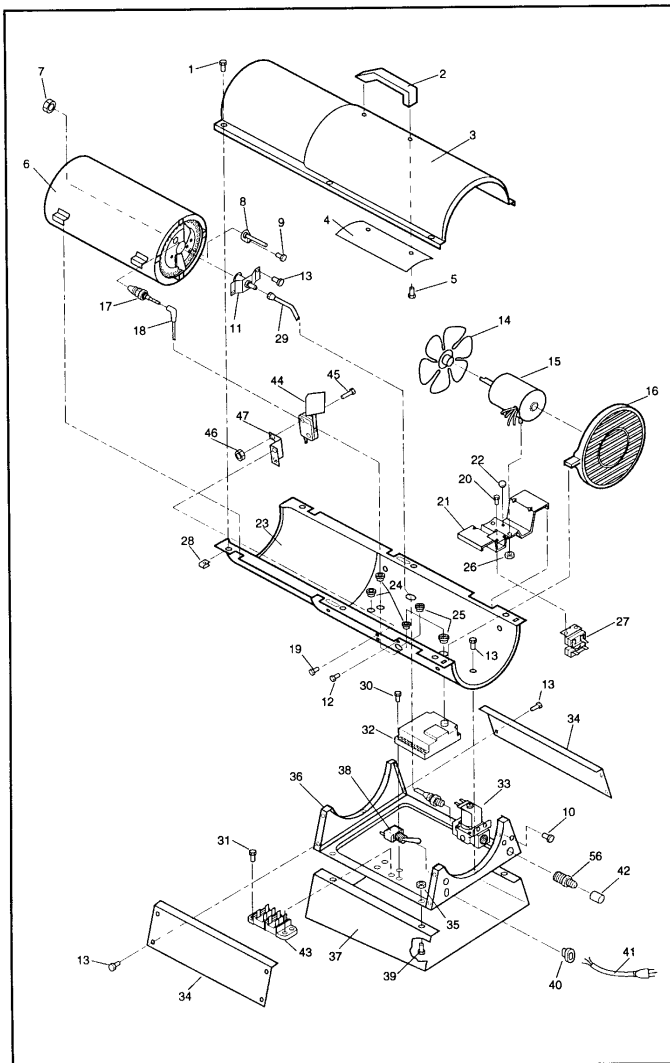
* No Longer Available

** Standard hardware item available locally

DESA International

2701 Industrial Drive, P.O. Box 90004
Bowling Green, KY 42102-9004
Technical Service Department 1-800-323-5190
Parts Department 1-800-972-7879

098618-01
REV. D
9/96



SPECIFICATIONS

Output Rating (Btu/Hr)	150,000
Fuel	Propane Vapor Only
Fuel Consumption	
Gallons/Hr	1.6
Pounds/Hr	7.0
Supply Gas Pressure	10 P.S.I. (Minimum)
Regulator Outlet Pressure	11" W.C.
Manifold Pressure	9" W.C.
Air Output (CFM)	450
Electrical Requirements	120 Vac./60 Hz.
Amperage	2.2
Weight	30 Lbs.

098618-01
REV.D 9/96