

## GAS CONSTRUCTION HEATER

### *Illustrated Parts List*

Issued: May, 1990

**CP250**      **CP275**  
**TC250A**    **TC275**  
**VPC250A**   **VPC275**  
**REM275LP**   **RCP275**

**IMPORTANT:** Do not use key numbers when ordering service parts. Always order components by part number and description. Include model and serial numbers.

KEY NO.	PART NUMBER	DESCRIPTION	250 QTY	275 QTY	KEY NO.	PART NUMBER	DESCRIPTION	250 QTY	275 QTY
1	**	Screw, #10-24 x 1/2"	3	3	33	097053-01	Pilot Burner Bracket	1	1
2	**	Nut, #10-24	3	3	34	LPA3000	Regulator and Hose Assy	1	1
3	097052-01	Standoff Bracket	6	6	35	078978-03	Sleeve Cap	1	1
4	M11084-27	Screw, "AB" #10-16 x 1/2"	8	8	36	*	Break Mandrel Rivet (Stainless Steel), 3/16"	2	2
5	098822-02	Half Shell	2	2	<b>PARTS AVAILABLE - NOT SHOWN</b>				
6	097187-01	Pop Rivet, 3/16"	7	7		098831-03	Information Decal	1	1
7	M50110-03	Pop Rivet (Stainless Steel), 1/8"	10	10		098843-01	Operation Decal	-	1
8	098823-02	Top Deflector	-	1		*	Operation Decal	1	-
	098823-02	Top Deflector	1	-		098852-02	Tradename Decal (CP250)	1	-
9	098827-01	Male Compression Fitting	1	1		098853-02	Tradename Decal (TC250A)	1	-
10	M5787	Compression Nut	4	4		098830-02	Tradename Decal (VPC250A)	1	-
11	M5788	Compression Sleeve	4	4		098852-03	Tradename Decal (CP275)	-	1
12	098826-01	Fuel Tube	1	1		098853-03	Tradename Decal (TC275)	-	1
13	098825-01	Male Compression Elbow	1	1		098830-03	Tradename Decal (VPC275)	-	1
14	097162-01	Burner Nozzle	1	1		098851-02	Tradename Decal (RCP275)	-	1
15	097161-01	Pilot Burner Orifice	1	1		099171-01	Tradename Decal (REM275LP)	-	1
16	098829-01	Pilot Fuel Tube	1	1		099156-01	Owner's Manual	1	1
17	102445-01	Piezo Ignitor	-	1	<b>ACCESSORIES</b>				
18	098838-01	Sheet Metal Nut	-	1		LPA1020	Hose		
19	LPA4010	Debris Shield	1	1		LPA2010	Regulator		
20	097155-01	Safety Control Valve	1	1		LPA4020	Fuel Gas Connector		
21	097157-01	Female Connector	1	1		LPA4010	Debris Shield		
22	098828-01	Female Compression Elbow	1	1		LPA4000	Piezo Ignitor Kit		
23	098835-01	Nut, 1/2"-28	1	1		LPA1030	15' Hose Assembly		
24	098824-01	Base	1	1		LPA2060	Adjustable Regulator With Gauge		
25	097152-01	Manual Control Valve	1	1					
26	099236-01	Thermocouple Kit	1	1					
27	097057-01	Thermocouple Bracket	1	1					
28	098819-01	Burner Ring	2	2					
29	098820-01	Nozzle Bracket	1	1					
30	097150-01	Ignitor Electrode	-	1					
31	M11084-37	Screw, #8-18 x 1/4"	-	1					
32	097163-01	Pilot Burner Assembly	1	1					

\* No Longer Available

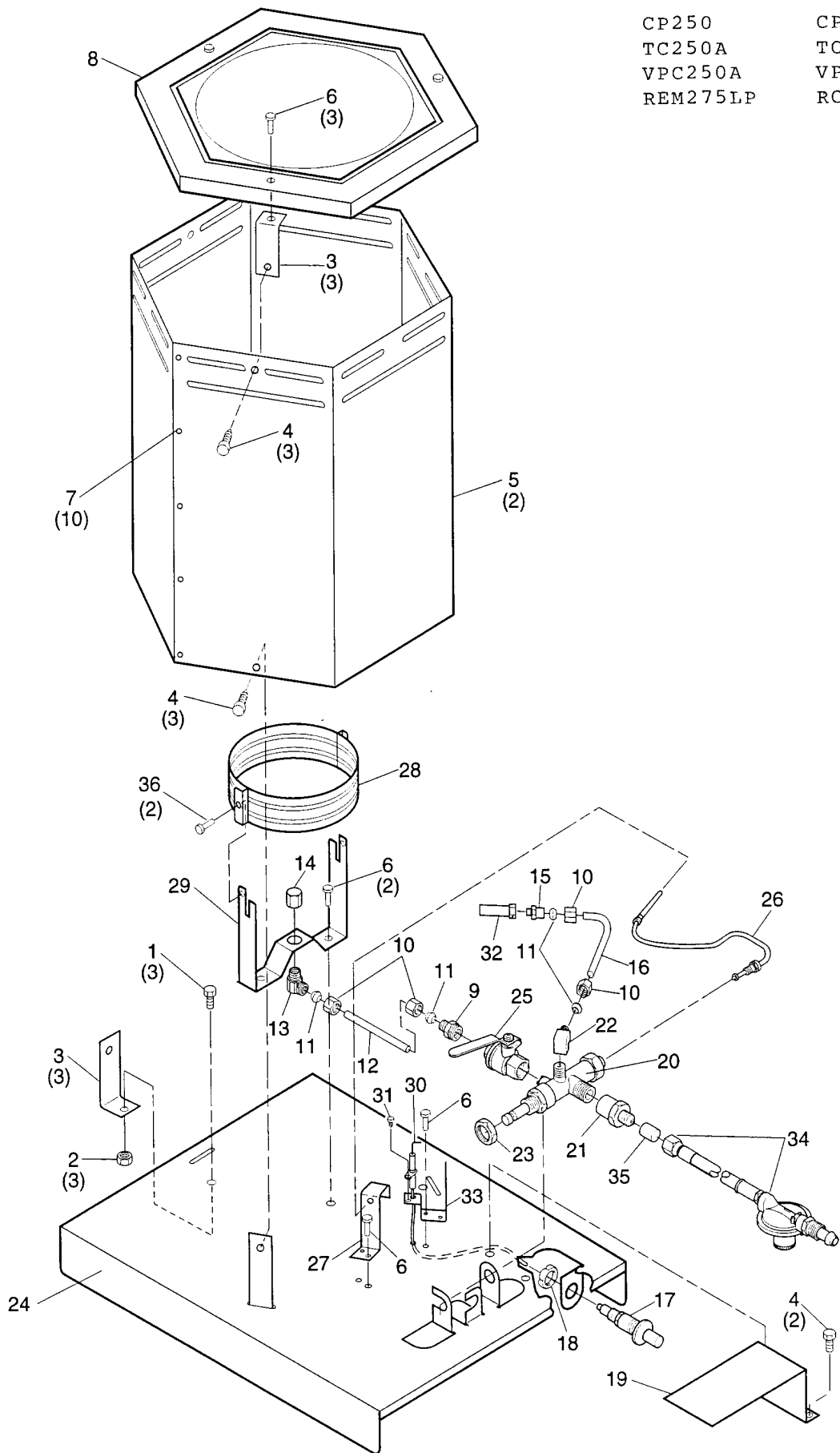
\*\* Standard hardware item available locally

### DESA International

2701 Industrial Drive, P.O. Box 90004  
 Bowling Green, KY 42102-9004  
 Technical Service Department 1-800-323-5190  
 Parts Department 1-800-972-7879

099228-01  
 REV. C  
 9/96

CP250	CP275
TC250A	TC275
VPC250A	VPC275
REM275LP	RCP275



099228-01  
REV. C 9/96