

HOMELITE ~~TEXTRON~~

Homelite Division of Textron Inc.

*new Homelite
legs*

PORTABLE FORCED AIR LP GAS HEATER *Illustrated Parts List*

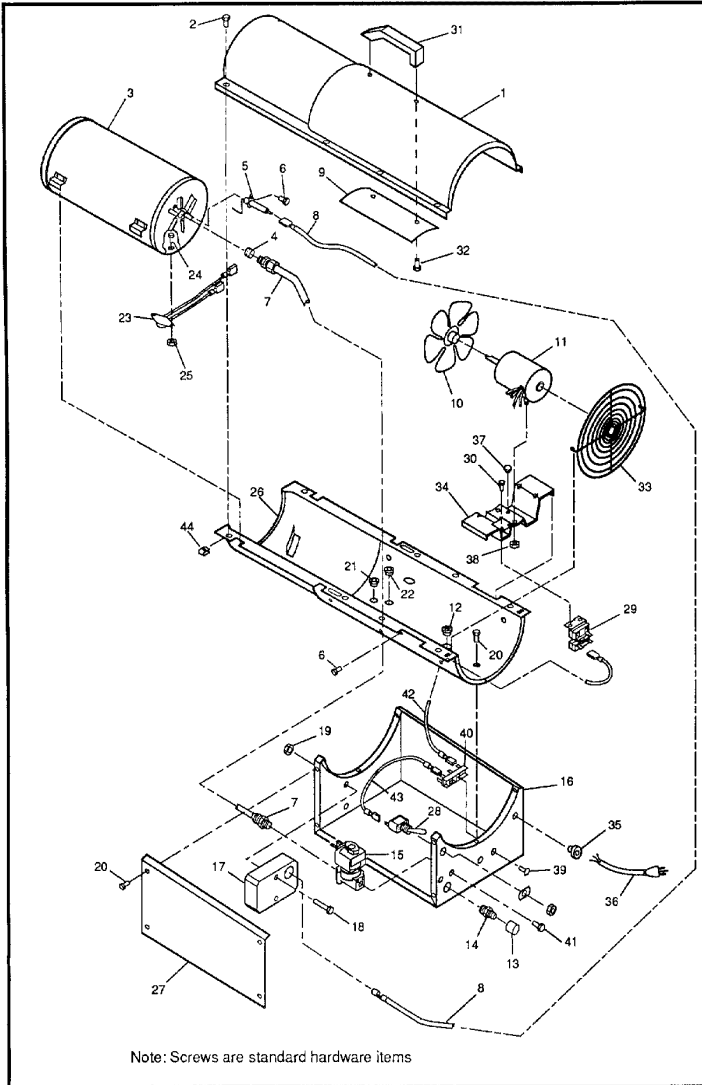
~~GCH-23~~

Issued: July, 1990

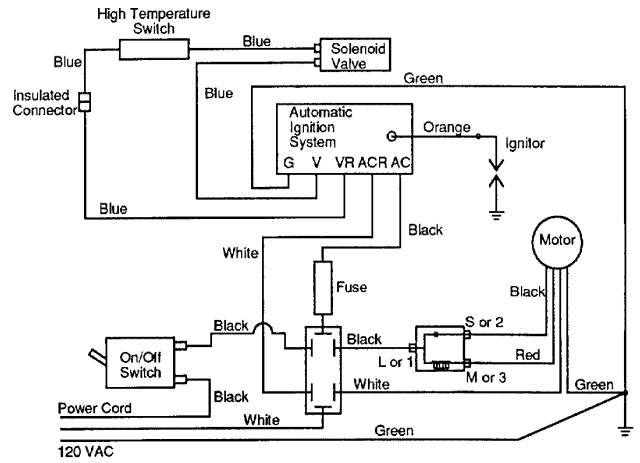
HP155

IMPORTANT: Do not use key numbers when ordering service parts. Always order components by part number and description. Include model and serial numbers.

Ref. No.	Part No.	Description	Qty.	Ref. No.	Part No.	Description	Qty.
1	098511-75✓	Upper Shell	1	30	M12461-13✓	Screw, #8-32 x 1/4"	1
2	M15823-27✓	Screw, #10-16 x 1/2"	8	31	M51104-01✓	Handle	1
3	098512-28✓	Combustion Chamber Kit	1	32	M11084-29✓	Screw, #10-16 x 3/4"	2
4	099138-01✓	Nozzle	1	33	097964-03AA✓	Fan Guard	1
5	099133-01✓	Ignitor	1	34	098138-02✓	Motor & Relay Support Bracket Assy.	1
6	M11084-38✓	Screw, #8-18 x 3/8"	2	35	M11143-1✓	Strain Relief Bushing	1
7	099334-01✓	Fuel Tube Kit	1	36	098219-17✓	Power Cord	1
8	097806-02✓	Ignitor Cable	1	37	M50631✓	Rubber Bumper	2
9	M51108-01✓	Heat Shield	1	38	NTC-4C✓	Lock Nut	2
10	M51153-01✓	Fan	1	39	099157-01✓	Break Mandrell Rivet, 3/16"	1
11	099131-01✓	Motor	1	40	099125-01✓	Terminal Board	1
12	097776-01✓	Universal Bushing	1	41	M12461-25✓	Screw, #10-32 x 1/4"	2
13	078978-01✓	Sleeve Cap	1	42	M9900-170✓	Wire Assembly	1
14	M51572-02✓	Male Connector	1	43	M16841-53	Wire Assembly <i>R/B M9900-170</i>	1
15	099132-01✓	Solenoid Valve	1	44	M11271-8✓	Clip Nut	8
16	097966-04AA	Base	1	PARTS AVAILABLE—NOT SHOWN			
17	M51605-02✓	DSI Control	1		099169-01✓	Owner's Manual	1
18	097968-04	Screw, #8-32 x 1" <i>NLA</i>	2		098333-01✓	Tradename Decal	1
19	NPC-2C✓	Hex Nut, #8-32	2		099159-01✓	Information Decal, LP150	1
20	M11084-27✓	Screw, #10-16 x 1/2"	10		LPA3070✓	Regulator & Hose Assembly	1
21	M50104-01✓	Shorty Bushing	1		LPA1010✓	10' Rubber Hose	1
22	M50104-05✓	Shorty Bushing	1		LPA2100✓	Regulator	1
23	097952-03✓	Thermal Limit Switch Assembly	1		LPA4020✓	Fuel Gas Connector	1
24	097968-01✓	Screw, #4-40 x 1/4"	2		HA1210✓	Thermostat	1
25	NPC-00C✓	Hex Nut, #4-40	2				
26	098511-133✓	Lower Shell	1				
27	097965-02AA✓	Side Cover	1				
28	098226-01✓	On/Off Switch	1				
29	098136-01	Relay <i>R/B 098165-01</i>	1				



WIRING DIAGRAM



SPECIFICATIONS

Output Rating (BTU/Hr)	150,000
Fuel	Propane Vapor Only
Fuel Consumption	
Gallons/Hour	1.6
Pounds/Hour	7
Supply Pressure To Regulator	
Minimum (for input adjustment)	10 psi
Maximum	Tank Pressure
Regulator Outlet Pressure (Factory Preset)	13" W.C.
Manifold Pressure	9.75" W.C.
Hot Air Output (CFM Approx.)	550
Motor	3450 RPM, 1/8 H.P.
Electric Input	120V/60Hz
Amperage	2.2
Ignition	Direct Spark, Interrupted Type
Ignitor Gap (Inches)	13/15
Weight (Pounds)	
Heater	27
Shipping	36
Size - L x W x H (Inches)	36 x 14.5 x 20