

PARTS LIST

| Index No. | Part Number | Part Name | Qty. |
|-----------|-------------|---------------------------------------|------|
| 1 | M50060A | Upper Shell | 1 |
| 2 | M11084-26 | Screw No. 10-12 x 3/8 | 10 |
| 3 | M50089 | Wiring Diagram Decal | 1 |
| 4 | M50097-01AA | Guard, Fan | 1 |
| 5 | M50542-01 | Combustion Chamber and Heat Deflector | 1 |
| 6 | M50086 | Air Deflector | 5 |
| 7 | M50104-02 | Bushing | 3 |
| 8 | M50084-07 | Assem. Burner Head | 1 |
| 9 | M50121 | Fan | 1 |
| 10 | M22082 | Control Safety | 1 |
| 11 | M31301-02 | Fan Switch | 1 |
| 13 | M50104-02 | Bushing | 1 |
| 15 | M50295 | Fuel line | 1 |
| 16 | M50391-01 | Wire Harness Assembly | 1 |
| 17 | M13942-7 | Wire Connector | 2 |
| 18 | M50079-04 | Motor & Pump Assembly (Ref. figure 6) | N/A |
| 19 | M10813-33 | Extension Cord Assembly | 1 |
| 20 | M50050 | Boot ignition | 1 |
| 21 | M50570-C1 | Trasformer and bracket | 1 |
| 22 | M50061AZ | Lower Shell | 1 |
| 23 | M11271-6 | Nut, Tinnerman | 10 |
| 24 | M50062-03 | Handle, Front (Bumper) | 1 |
| 25 | HC4-12C | Screw 1/4-20 x 1 1/2 | 4 |
| 26 | HC4-18C | Screw 1/4-20 x 2 1/4 | 6 |
| 27 | M50062 | Rear handle (Frame support) | 1 |
| 28 | M50118-02 | Fuel line - return | 1 |
| 29 | M50118-03 | Fuel line - input | 1 |
| 30 | M50262-01 | Screen & bushing assembly | 1 |
| 31 | M50071-01AA | Fuel Tank Assembly | 1 |
| 32 | M23284 | Fuel Cap | 1 |
| 33 | NTC-4C | Nut 1/4-20 | 10 |
| 34 | M25297-14 | Thermostat Assembly | 1 |
| 35 | M27417 | Drain Plug | 1 |
| 36 | M50063 | Frame, Wheel Support | 1 |
| 37 | WP-10C | Washer, Flat 5/8 | 4 |
| 38 | M50389 | Wheel | 2 |
| 39 | C5-10C | Pin, Cotter, 5/32 x 1 1/4 | 2 |
| 40 | M18774A | Axle | 1 |

Figure 5. Heater Assembly, Exploded View

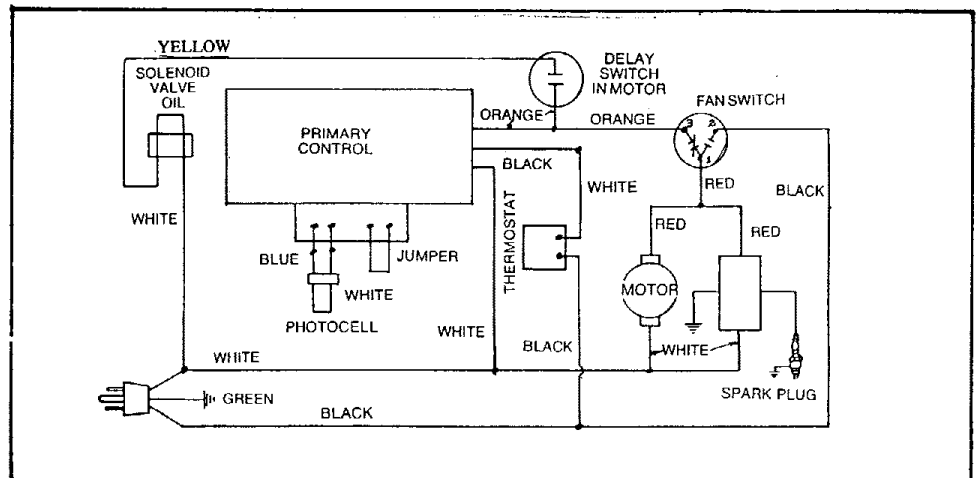


Figure 1. Wiring Diagram

| Index No. | Part Number | Description | Qty. |
|-----------|-------------|---|------|
| 1 | M50084-07 | Burner Head Assembly | 1 |
| | M50340-02 | Bracket, Photo Cell | 1 |
| 2 | M10908-2 | Screw, Hex Hd., No.6-32x3/8 (Attaches Bracket to Comb. Chamber) | 2 |
| 3 | M10962-2 | Spark Plug | 1 |
| 4 | M16741-18 | Ring, Retaining | 1 |
| 5 | M50396 | Orifice, Burner Head | 1 |
| | M11523-1 | Screw - No. 6-20 x ¼ (Attaches Orifice to Burner Head) | 5 |
| 6 | M50080-01 | Assembly Adapter Nozzle | 1 |
| 7 | M50081 | . Adaptor | 1 |
| | M50112 | . Nozzle | 1 |
| | M50390-01 | Assembly, Solenoid Valve | 1 |
| 8 | M50077 | . Solenoid Valve | 1 |
| 9 | M50297 | . Elbow Compression | 1 |
| 10 | 69246 | . Nipple, Straight | 1 |
| 11 | M16534-02 | Body, Burner Head | 1 |
| 12 | M16656-4 | Photo Cell Assembly | 1 |

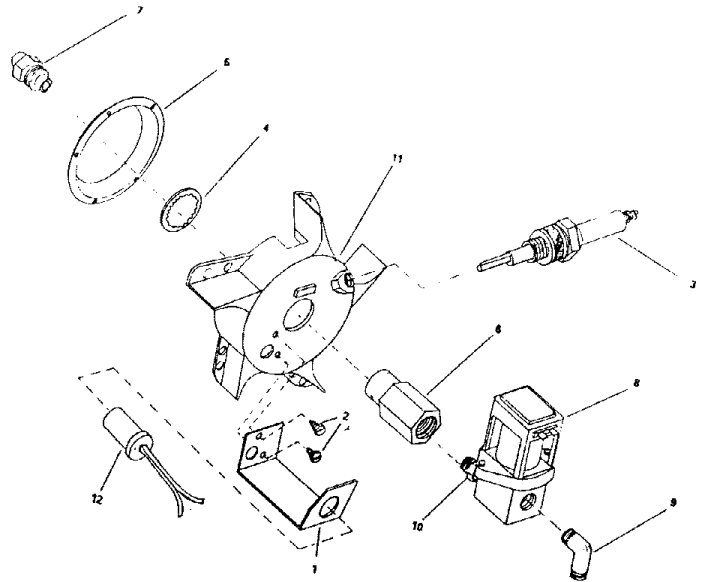


Figure 7. Burner Head Assembly

Motor and Pump Assembly

| Index No. | Part Number | Description | Qty. |
|-----------|-------------|--------------------------|------|
| 1 | M50082AA | Cover, Wiring | 1 |
| 2 | HF5-5C | Screw, 5/16-24 | 4 |
| 3 | WLE-5 | Washer, Lock 5/16 | 4 |
| 4 | M11084-26 | Screw No. 10-12 x 3/8 | 5 |
| 5 | M50064-01 | Motor | 1 |
| 6 | M50116 | Clamp Flanged | 1 |
| 7 | M50083AA | Support, Motor | 1 |
| 8 | 57413 | Elbow Street | 1 |
| 9 | M50393 | Nipple, long | 1 |
| 10 | M20137 | Bushing, Pipe | 1 |
| 11 | M20137 | Bushing, Pipe | 1 |
| 12 | M50398 | Filter Assembly | 1 |
| | M50399 | . Element Filter | 1 |
| 13 | M50114-02 | Elbow, Male 90° ¼ to ¼ | 1 |
| 14 | M50297 | Elbow, Compression | 1 |
| 15 | 57413 | Elbow Street | 1 |
| 16 | M50113-02 | Fitting, Straight ¼ to ¼ | 1 |
| 17 | M50065 | Pump, Fuel | 1 |
| 18 | WLM-5 | Washer, Lock 5/16 | 4 |
| 19 | NPF-5C | Nut, Hex 5/16-24 | 4 |

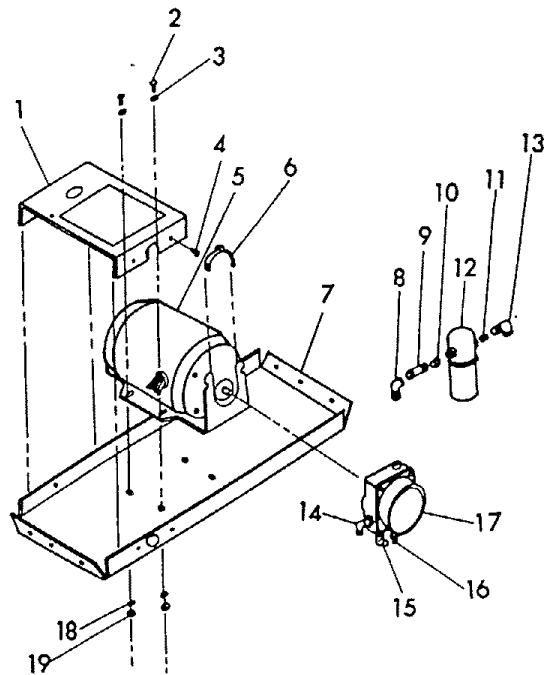


Figure 6. Motor and Pump Assembly