

MODELS P-50 and P-50 DELUXE

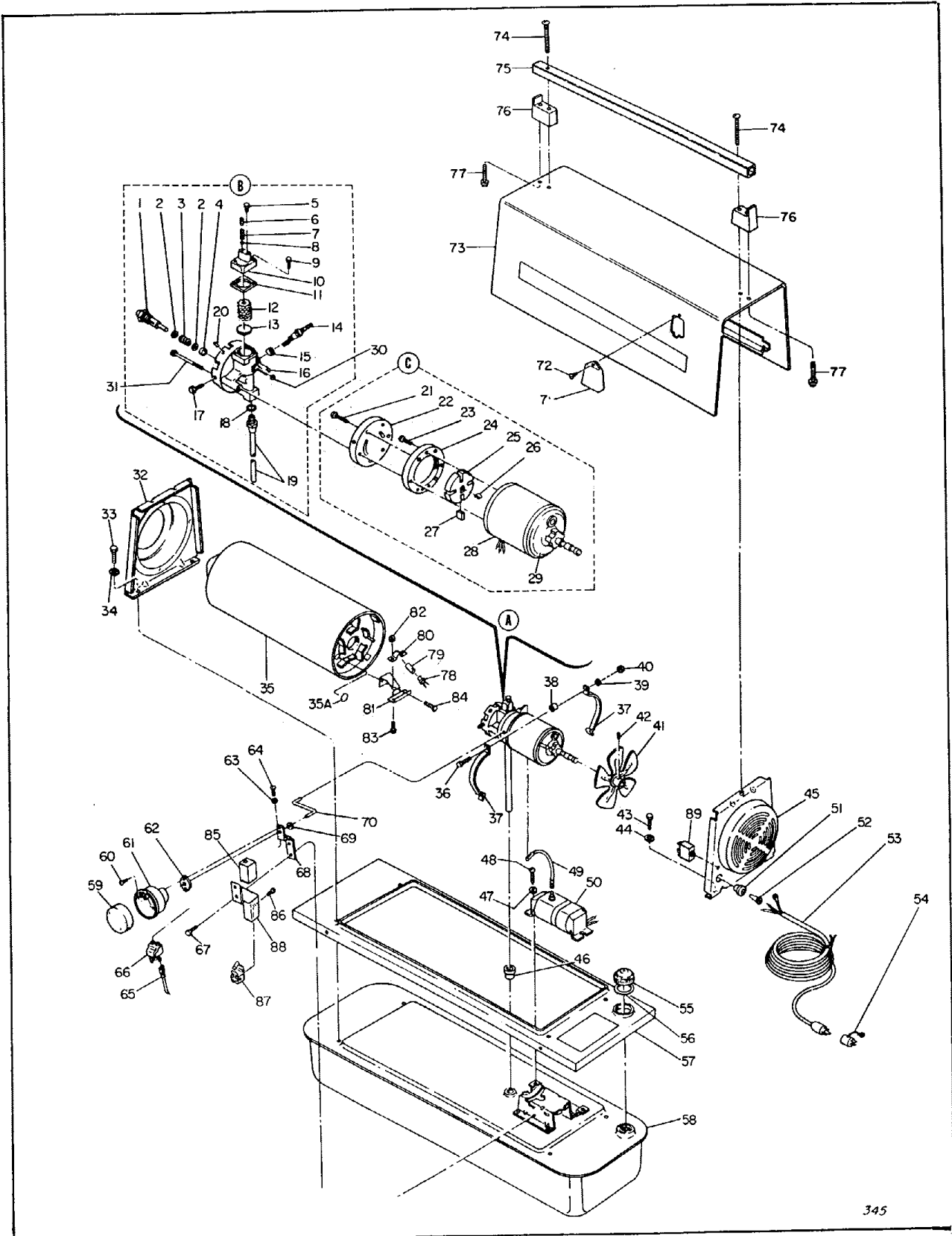


Figure 9. Exploded View, Models P-50 and P-50 Deluxe

MODELS P-50 and P-50 DELUXE

Index No.	Part Number	Part Name	Quan Per Model	
			Presto 50	Deluxe
A	M11148G5	Motor, Pump and Burner Head Assembly	1	1
B	M12428G3	Burner Head Assembly	1	1
1	M11054-1	Nozzle, Siphon	1	1
2	M10659-1	Washer, Nozzle seal	2	2
3	M10809-1	Spring, Nozzle seal	1	1
4	M8882	Sleeve	1	1
5	M10837	Plug, Hex head	1	1
6	M10992-1	Screw, Adjusting	1	1
7	M10993-1	Spring, Pressure relief	1	1
8	M8940	Ball, 1/4 dia	1	1
9	M12461-54	Screw, Hex hd, No. 10-24 x 7/8	**2	2
10	M12576	Body, Valve	1	1
11	M12577	Gasket	1	1
12	*M9942G3	Filter Element (output)	1	1
13	M12578	Filter, Lint	1	1
14	*M10962-2	Spark Plug	1	1
15	M14525	Electrode Retainer	1	1
16	M12273	Body, Burner head	1	1
17	M10908-38	Screw, Self-tapping, hex hd No. 12-24 x 3/8 type "S"	**1	1
18	*M10718-1	O-Ring	1	1
19	M14266G1	Fuel Filter	1	1
20	ROP12-8	Roll Pin, 3/16 x 1/2	**4	4
C	M12429G1	Motor & Pump Assembly	1	1
21	FHPF3-8C	Screw, Fil hd, No. 10-32 x 1	**4	4
22	M12430	End Cover, Pump	1	1
23	FHPF3-4C	Screw, Fil hd, No. 10-32 x 1/2	**2	2
24	M8645	Body, Pump	1	1
25	M11959	Rotor	1	1
26	M11966-5	Spring	1	1
27	M8643	Blade	4	4
28	M11938	Motor	1	1
29	M8947	End Shield, Motor front (service only)	1	1
-	M8802-38	Ball Bearing, Motor	1	1
-	M15776	Rotor and Shaft Assy	1	1
-	M15777	Shell and Stator, 115V, 60C	1	1
30	M13372	Seal	1	1
31	FHF3-20C	Screw, Fil hd, No. 10-32 x 2-1/2	**2	2

Index No.	Part Number	Part Name	Quan Per Model	
			Presto 50	Deluxe
32	M15767G1	End Cap and Nose Cone Assy	1	1
33	M12461-64	Screw, Hex hd, 1/4-20 x 5/8	**2	2
34	WLI-4C	Lockwasher	2	2
35	M15770G1	Combustion Chamber	1	1
35A	M15995	Plug Button	1	-
36	HC4-10C	Screw, Round hd, 1/4-20 x 1-1/4	**2	2
37	M10964-1	Clamp, Motor	4	4
38	M13620	Spacer	2	2
39	WLM-4C	Lockwasher, 1/4-inch	**2	2
40	NPC-4C	Nut, Hex, 1/4-20	**2	2
41	*M12431-2	Fan (20° Pitch)	1	1
42	SFK-4-2	Setscrew, socket hd, cup pt. 1/4-28 x 1/4	**2	2
43	M12461-64	Screw, Hex hd, 1/4-20 x 5/8	**2	2
44	WLI-4C	Lockwasher, Int. tooth, 1/4 in.	**2	2
45	M12427G1	Guard, Fan	1	1
46	M10990-3	Bushing, Rubber	1	1
47	WP-3C	Washer, Plain, 3/8 in.	**2	2
48	M15823-26	Screw, Self-tapping, hex hd, No. 10-12 x 3/8, Type "B"	**2	2
49	M10816G15	Lead, Electrode	1	1
50	M15063	Transformer	1	1
51	M11143-1	Bushing, Strain relief	1	1
52	M13942-4	Connector, Wire	2	2
53	M10813G15	Cord, Service (extension)	1	1
54	M9050	Adapter, Grounding	1	1
55	M11151-1	Cap, Filler neck	1	1
56	M14246	Seal, Rubber	1	1
57	M12424	Skirt, Tank	1	1
58	M12416G1	Tank, Fuel	1	1
59	*M11146-1	Element, Filter, intake	1	1
60	M12749-25	Screw, Fil hd, No. 10-24 x 1/2	**2	2
61	M14785	Body, Filter	1	1
62	M10257-2	Gasket, Intake Filter	1	1
63	WLI-2C	Lockwasher	**2	2

(*) - Parts recommended for normal service replacement.
(**) - Standard hardware, obtainable locally.

Parts List Continued

MODELS P-50 and P-50 DELUXE

Index No.	Part Number	Part Name	Quan Per Model	
			Presto 50	Deluxe
64	RC2-2C	Screw, Round hd, No. 8-32 x 1/4	**2	2
65	M9900G37	Wire Assembly, Black	1	2
66	M12462-2	Relay	1	1
67	M10908-51	Screw, Hexhd, Type "S" No. 10-24x1/2	**2	2
68	M12433	Bracket, Relay & Filter	1	1
69	M13293	Grommet, Rubber	1	1
70	M12432	Tube, Air Intake	1	1
71	M12568	Cover, Filter	1	1
72	M10908-2	Screw, Hex hd, No. 6-32x3/8, Type "S"	**1	1
73	M12436G1	Housing, Heater	1	1
74	RPC4-18C	Screw, Rdhd, 1/4-20 x 2-1/4	**2	2
75	M12440	Handle	1	1
76	M12439	Support, Handle	2	2
77	M10908-58	Screw, Self-tapping, hex hd, No. 10-24x1-1/2, Type "S"	**2	2
CONTROL PARTS				
78	M14456G1	Photocell and Bushing Assy	-	1
79	M13962	Tubing, Photocell	-	1
80	M13963	Clamp, Tubing	-	1
81	M13961	Bracket, Photocell	-	1
82	NTC-1C	Locknut, Torque	**	1
83	MR461-2	Screw, Hex hd, No. 6-32 x 3/8	-	2
84	M10908-1	Screw, Self-tapping hex hd, No. 6-32 x 1/4	-	1

Index No.	Part Number	Part Name	Quan Per Model	
			Presto 50	Deluxe
85	M14983	Dust Cover, Relay	-	1
-	M14379G2	Relay and Bracket Assy	-	1
86	M12461-2	Screw, Hex hd, No. 6-32 x 3/8	-	1
87	M14378G3	Relay Assy	-	1
88	M14370	Bracket, Relay	-	1
-	M9900G36	Wire Assy, Red	-	1
-	M13942-2	Connector, Wire	-	2
89	M14360	Circuit Breaker	-	1
DECALS AND PAINT				
	M11225-1	Decal, Operation Instr.	1	1
	M16442	Decal, Nameplate	1	-
	M16029	Decal, Nameplate	-	1
	M16444	Decal, Trade Name	1	-
	M16619	Decal, Trade Name	-	1
	M16262	Decal, Caution	1	-
	M12634	Decal, Wiring Diagram	1	-
	M14365	Decal, Wiring Diagram	-	1
	M15407	Decal, AtoMaster	1	1
	M13386-11	Aerosol Can, Touch-up paint (Orange)	-	-
	M13386-7	Aerosol Can, Touch-up paint (White)	-	-
	M13386-8	Aerosol Can, Touch-up paint (Black)	-	-

(*) - Parts recommended for normal service replacement.
 (**) - Standard hardware, obtainable locally.

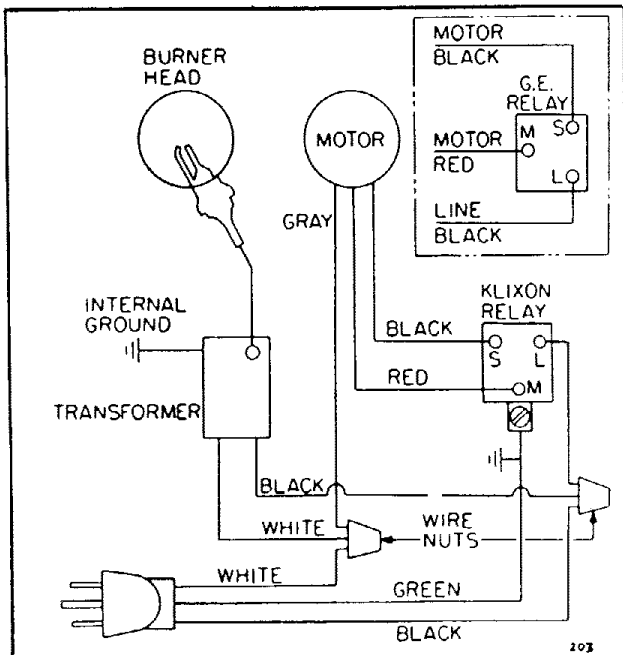


Figure 4. Wiring Diagram for Standard Heaters

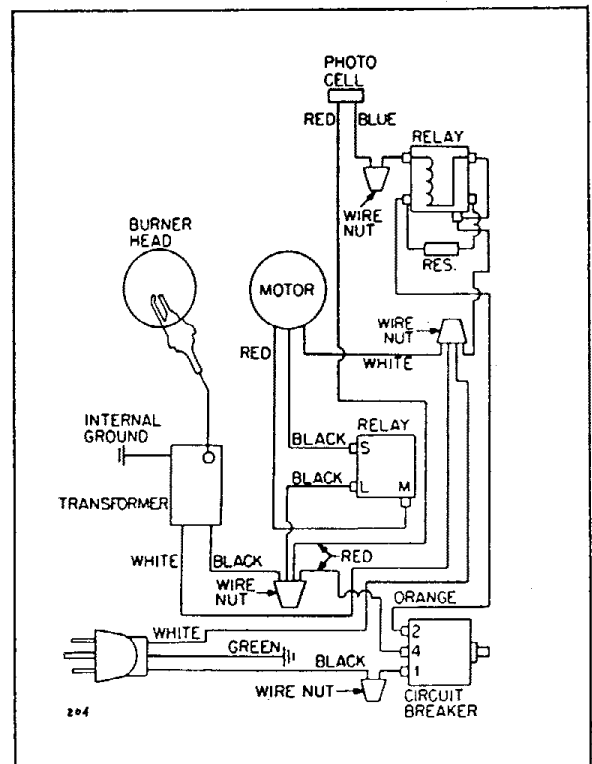


Figure 9. Wiring Diagram for Deluxe Heaters