

Amoco

Form No. 2761-1 (6/72)

AM-65 AND AM-65S SPEC. NO. 3113G08 and 3113G21

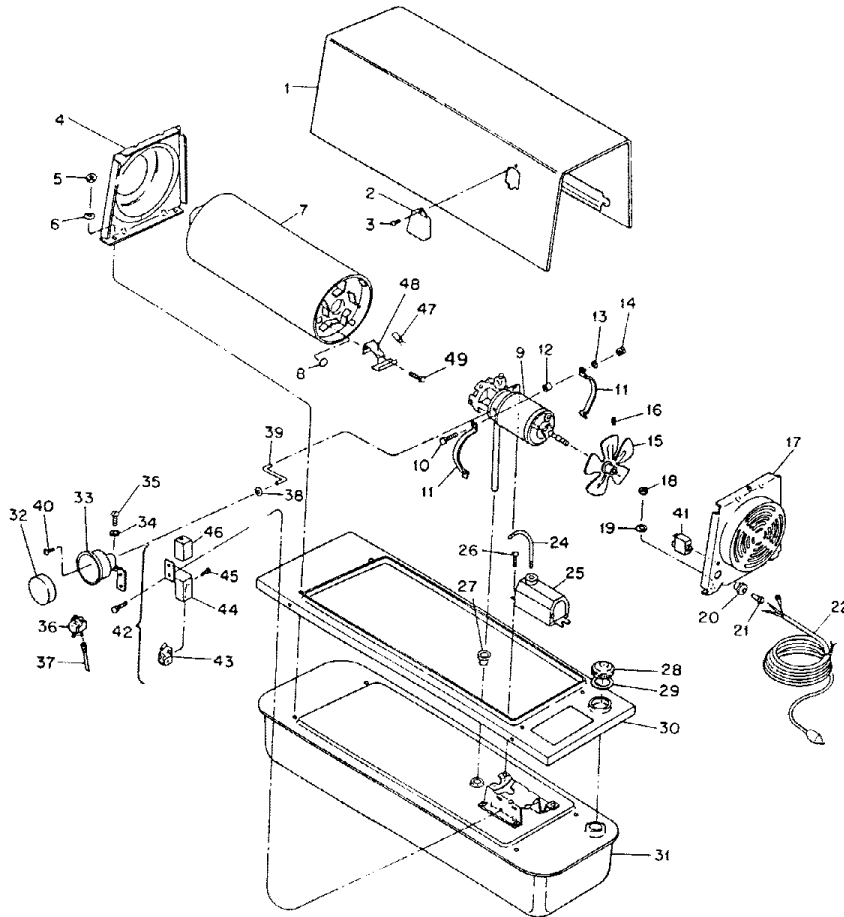


Figure 14. Exploded View of General Assembly

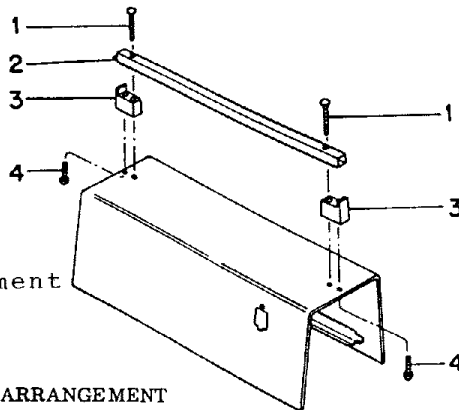


Figure 16.
Handle Arrangement

HANDLE ARRANGEMENT

Index No.	Part Number	Part Name or Description	Notes	Quan.
1	*RPC4-18C	Screw, Rd. hd., 1/4-20 x 2-1/4		2
2	M12240-2A	Handle (Square bar)		1
3	M12439L	Support, Handle		1
4	*M10908-58	Screw, Self-tapping, Hex hd., No. 10-24 x 1-1/2 in., Type "S"		2

Index No.	Part Number	Part Name or Description	Notes	Qty.
1	M12436-1E	Housing, Heater		1
2	M12568E	Cover, Filter		1
3	*M10908-2	Screw, Hex hd, slotted No. 6-32 x 3/8 in., Type "S"		1
4	M15767-1E	End Cap and Nose Cone		1
5	*NPC-4C	Nut, Plain hex, 1/4-20		2
6	*WLI-4C	Lockwasher, Internal tooth, 1/4 in.		2
7	M15770-3	Combustion Chamber		1
8	M15995	Plug, Button	#	1
9	Ref.	Motor Pump and Burner Head Assembly (See Figure 15)		1
10	*HC4-10C	Screw, Rd hd., 1/4-20 x 1-1/4 in.		2
11	M16661	Clamp, Motor		4
12		Not Used		
13	*WLM-4C	Lockwasher, 1/4 in.		2
14	*NPC-4C	Nut, Plain hex, 1/4-20		2
15	M20517	Fan		1
16	SFK4-2	Set screw, Soc hd, cup pt, 1/4-28 x 1/4 in.		2
17	M12427-1E	Fan Guard Assy		1
18	*NPC-4C	Nut, Plain, Hex, 1/4-20		2
19	*WLI-4C	Lockwasher, Internal tooth, 1/4 in.		2
20	M11143-1	Bushing, Strain relief		1
21	M13942-4	Connector, (Wire Nut)		2
22	M10813-37	Cord, Service (Extension)	#	1
	M10813-38	Cord, Service (Extension)	¢	1
23		Not Used		
24	M10816-15	Lead, Electrode		1
25	M15063	Transformer		1
26	*M15823-26	Screw, Hex hd No. 10-12 x 3/8 in., Type "B"		1
27	M10990-3	Bushing, Rubber		1
28	M11151-1	Cap, Fuel tank filler		1
30	M12424E	Skirt, Fuel tank		1
31	M17016-4D	Fuel Tank Assy		1
32	**M11146-1	Element, Intake air filter		1
33	M17018-1	Filter Body and Bracket Assy		1
34	WLI-2C	Lockwasher, No. 8		2
35	*RC2-2C	Screw, Rd hd., No. 8-32 x 1/4 in.		1
	*RC2-3C	Screw, Rd hd., No. 8-32 x 3/8 in. (For ground wire)		1
36	M12462-5	Relay, Motor Starting		1
37	M9900-37	Wire Assy (to Relay)		1
38	M13293	Grommet, Rubber		1
39	M12432	Tube, Air Intake		1
40	*M11084-27	Screw, Self-tapping hex hd No. 10-12 x 1/2 in., Type "A"		2
41	M14360	Circuit Breaker	¢	1
42	M14379-2	Relay and Bracket Assy	¢	NA
43	M14378-1	Relay Assy, Control	¢	1
44	M14370	Bracket, Relay	¢	1
45	M12461-2	Screw, Hex hd, No. 6-32 x 3/8 (Relay Mtg.)	¢	1
46	M14983	Dust Cover, Relay	¢	1
47	M16666-1	Photocell and Bushing Assy	¢	1
48	M16660	Bracket, Photocell	¢	1
49	*M10908-1	Screw, Self-tapping, hex hd No. 6-32 x 1/4 in., Type "S"	¢	1

* Standard Hardware - Procure Locally.

AM65 Models Only.

¢ AM65S Models Only.

NA - Not Available as a Service Part, Order Individual Parts.

Amoco

Form No. 2761-1 (6/72)

AM-65 AND AM-65S

SPEC. NO. 3113G08 and 3113G21

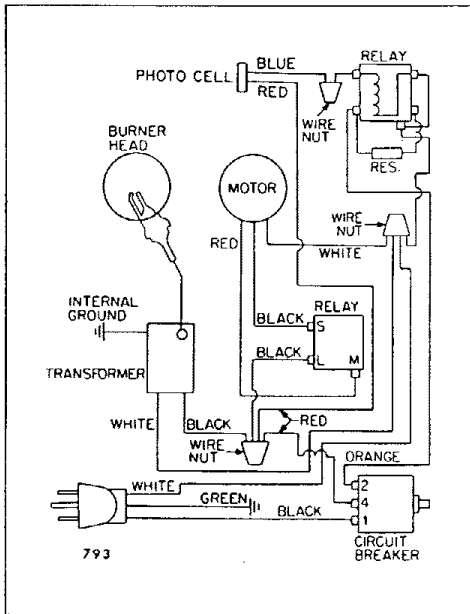


Figure 13. Wiring Diagram for Heaters With Safety Control

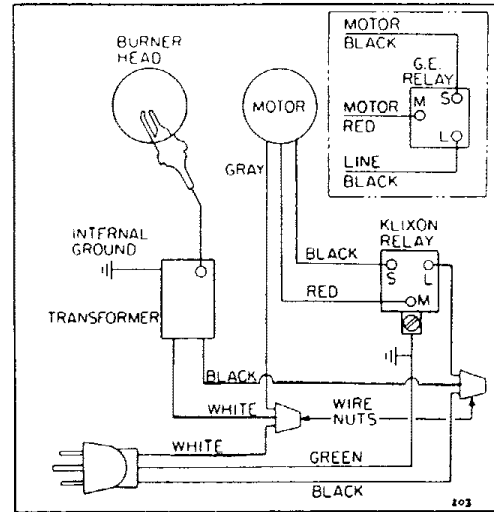


Figure 9. Wiring Diagram for Heaters Without Safety Control

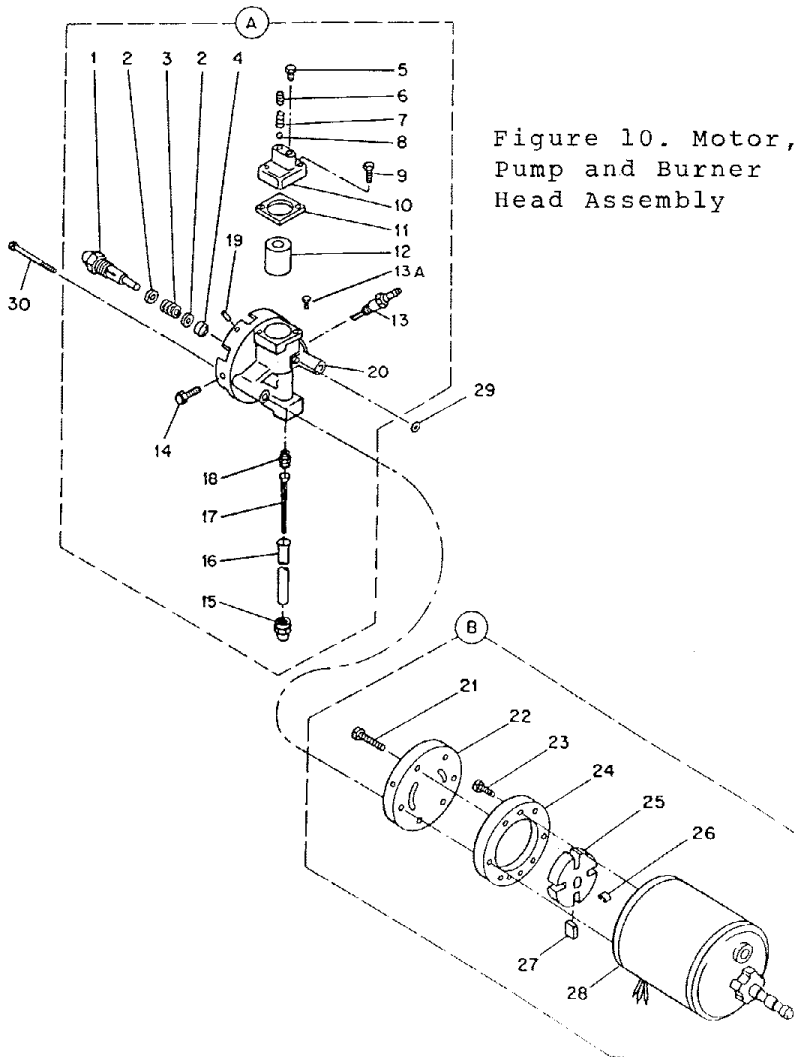


Figure 10. Motor, Pump and Burner Head Assembly

Index No.	Part Number	Part Name or Description	Quan.
	M19115-5	Motor, Pump and Burner Head Assy	1
(A)	M19113-2	. . Burner Head Assy	1
1	M13960	. . Nozzle, Siphon	1
2	M10659-1	. . Washer, Nozzle seal	2
3	M10809-1	. . Spring, Nozzle seal	1
4	M8882	. . Sleeve	1
5	M22997	. . Plug, Socket thd	1
6	M23105	. . Screw, Adjusting	1
7	M10993-1	. . Spring, Pressure relief	1
8	M8940	. . Ball	1
9	*M12461-54	. . Screw, Hex hd, No. 10-24 x 7/8 in.	2
10	M12576	. . Body Valve	1
11	M12577	. . Gasket	1
12	M15241	. . Output Filter Element	1
13	M16895-1	. . Spark Plug Assy	1
13A	RC2-4	. . Screw, Rd hd No. 8-32 x 1/2	1
14	*M10908-38	. . Screw, No. 12-24 x 3/8 in., Type S	1
15	M13849	. . Nut, Flared	1
16	M16790	. . Tube, Fuel Filter	1
17	M19630	. . Filter, Fuel	1
18	M16791	. . Connector, Male	1
19	ROP12-8	. . Roll Pin	4
20	M19112	. . Body, Burner Head	1
(B)	M19114-1	. . Motor and Pump Assy	1
21	*FHPF3-8C	. . Screw, Fil. hd., No. 10-32 x 1/2 in.	4
22	M12430	. . End cover pump	1
23	*FHPF3-4C	. . Screw, Fil. hd., No. 10-32 x 1/2 in.	2
24	M8645	. . Pump Body	1
25	M22456-1	. . Pump Rotor	1
26	M22009	. . Insert, Pump Rotor	1
27	M8643	. . Blade	1
28	M17941	. . Motor	1
29	M13372	. . Seal (O-Ring)	1
30	*FHF3-20C	. . Screw, Fil. hd., No. 10-32 x 2-1/2 in.	2