

Spec. 2964G11
 Form No. 2395-1
 (8/69)

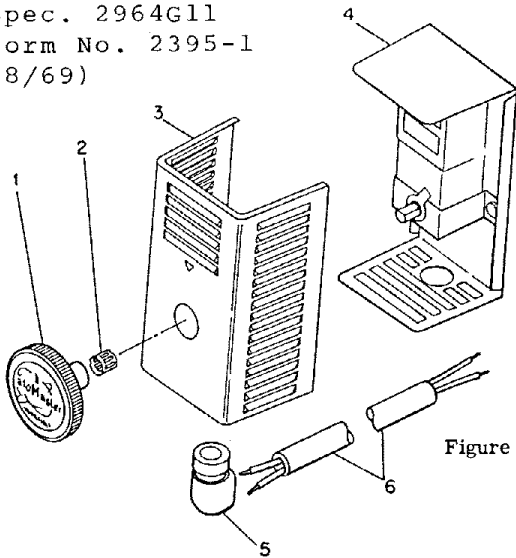


Figure 16. Thermostat Assembly

Thermostat Assembly

Fig.& Index No.	Part Number	Part Name	Qty.
16-	M16143	Thermostat Assy (See Fig. 13, Index No. 34)	1
	M18016G1	. Thermostat Assy (Less Cable)	1
1	M16152	. . Knob, Thermostat	1
2	M16154	. . Spring, Thermostat Knob	1
3	M16147	. . Cover, Thermostat	1
4	M18021G1	. . Thermostat Back and Element Assy	1
5	M11954	. . Bushing, Strain Relief	1
6	M17063G1	. Cable Assy	1

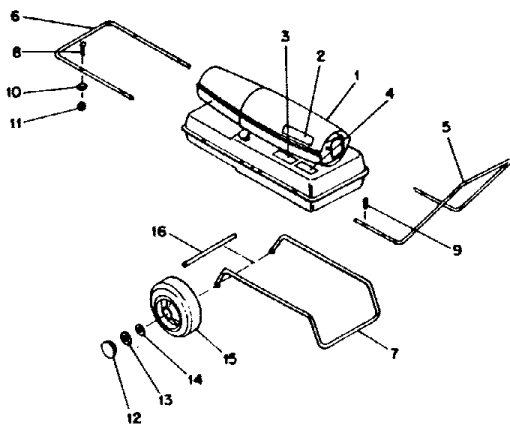
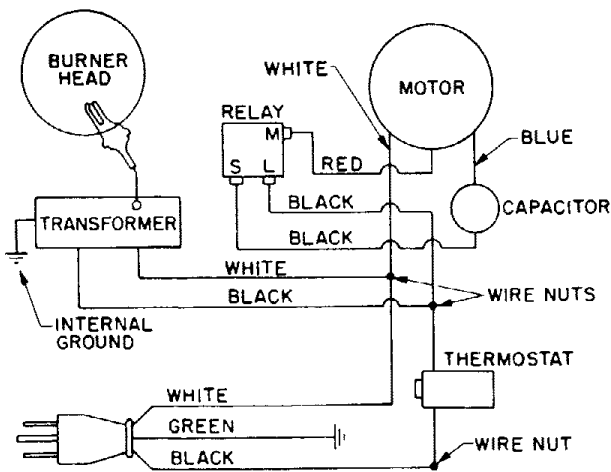


Figure 17. Wheels, Handles, and Markings

Wheels, Handles, and Markings

Fig.& Index No.	Part Number	Part Name	Qty.
17-1	M17879	Decal, Wiring Diagram	1
2	M14994	Decal, Trade Name	1
3	M17159	Decal, Private Label	1
4	M17134	Decal, Nameplate and Operation Instructions	1
	M18050-4	Decal, Model Data @	1
	M18050-9	Decal, Model Data @@	1
	M21397-8	Decal, Model Data c	1
5	M15813	Handle, Rear @@	1
	M15813-2	Handle, Front and Rear @	1
	M15813A	Handle, Rear c	1
6	M15812A	Handle, Front c	1
7	M12831-2	Frame, Wheel Support @	1
	M12831B	Frame, Wheel support @@	1
8	M12345-31	Screw	2
9	M12345-34	Screw	8
10	WP-3C	Washer, Flat No. 10	2
11	NTC-3C	Nut, torque lock No. 10-24	10
12	M16802	Hub Cap	2
13	M16741-15	Ring, Retaining	2
14	WP-8C	Washer, Felt, 1/2 inch	2
15	M19294	Wheel	2
16	M16801-2	Axle	1

c Spec. 30598G heaters only
 @ Spec. 2968G11 heaters only
 @@ Spec. 2968G11-1 heaters only



150,000 BTU HEATER
 Figure 9. Wiring Diagram

STANDARD SCREWS

FHPF3-7C	Screw, Fillister hd, No.10-32 x 7/8 in.
HC4-10C	Screw, Hex hd, machine, 1/4-20 x 1-1/4 in.
M11084-27	Screw, Self-tapping, hex hd, No. 10-12 x 1/2 in., Type "A"
M11084-29	Screw, Self-tapping, hex hd, No. 10-12 x 3/4 in., Type "A"
M12345-31	Screw, Oval hd, machine, No. 10-24 x 1-1/4 in.
M12345-34	Screw, Oval hd, machine, No. 10-24 x 2 in.
M12461-31	Screw, Hex hd., No. 10-32 x 1 in.
M12461-34	Screw, Hex hd., No. 10-32 x 1-1/2 in.
M15823-26	Screw, Self-tapping, hex hd., No. 10-12 x 3/8 in., Type "B"
M10908-1	Screw, Self-tapping hex hd. No. 6-32 x 1/4 in., Type S
M12461-51	Screw, Hex hd., No. 10-24 x 1/2 in.
RC2-2C	Screw, Rd. Hd., 8-32 x 1/4 in.

AMOCO MODEL AM-140 Spec. No. 2968G11, 2968G11-1 and 3059G8)
Form No. 2645 (8/70)

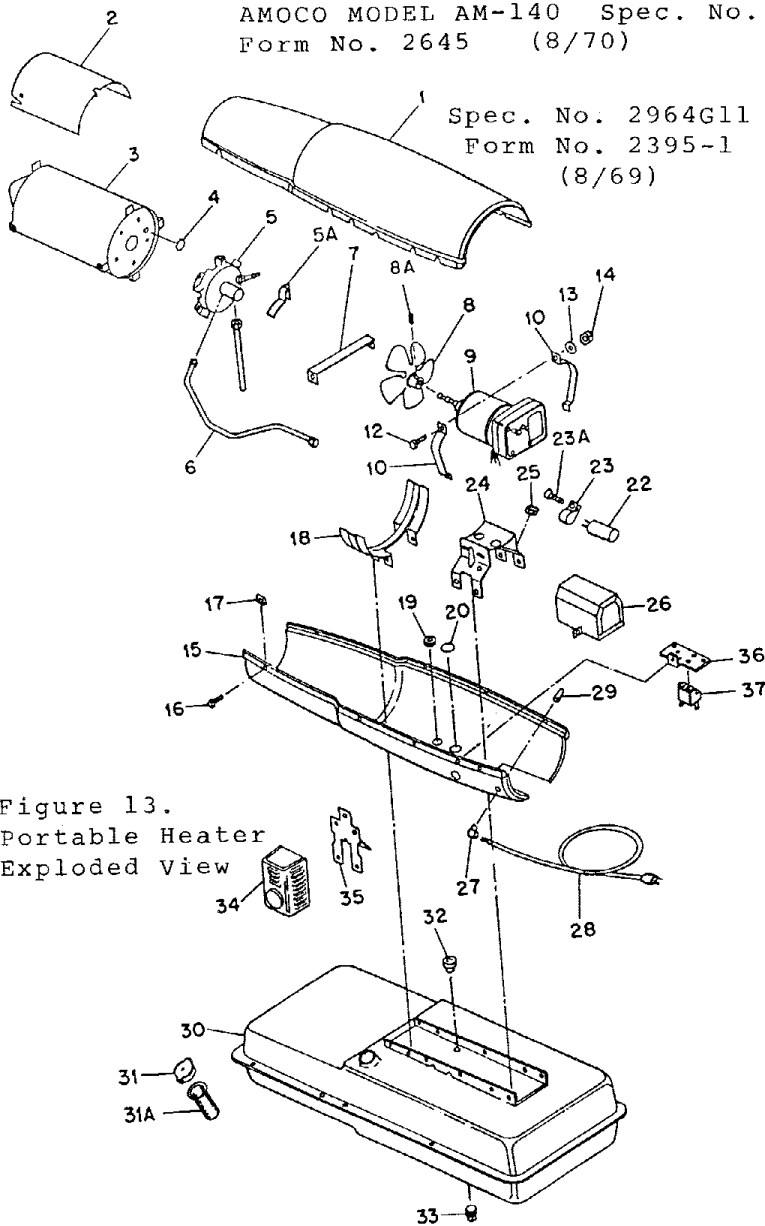


Figure 13.
Portable Heater
Exploded View

Spec. No. 2964G11
Form No. 2395-1
(8/69)

Basic Heater Assembly

Fig.& Index No.	Part Number	Part Name	Qty.
13-1	M17015G1J	Shell, Upper	1
2	M16679	Deflector, Heat	1
3	M16887G4	Combustion Chamber (Spec. 2986G11,G11-1)	1
	M16887G5	Combustion Chamber (Spec. 3059G8)	1
	*M11084-27	Screw (Combustion Chamber attaching front)	2
	*M11084-29	Screw (Combustion Chamber attaching rear)	2
4	M15995	Plug, Button (Combustion Chamber, rear head)	1
5	Ref	Burner Head Assembly (See figure 14)	1
	*M11084-27	Screw (Burner Head attaching)	3
5A	M19488	Limiter, Air	1
6	M16804	Air Line	1
7	M16871	Strap, Retainer	1
	*M11084-27	Screw (Retainer Strap to lower shell)	2
8	M17058	Fan, 16° Pitch	1
8A	SF4-2-1/2K	Setscrew, Socket hd. cup pt. 1/4-28 (Fan to motor shaft)	2
9	Ref	Motor Package Assembly	1
10	M16661	Clamp, Motor	4
11		Not Used	
12	*HC4-10C	Screw, Motor Clamp	2
13	WLM-4	Lockwasher 1/4 in.	2
14	NPC-4C	Nut, Hex, 1/4-20	2
15	M16810J	Shell, Lower	1
16	*M11084-27	Screw (Upper Shell to Lower Shell)	8
17	M11271-6	Nut, Tinnerman (Upper Shell to Lower Shell)	8
18	M12828	Bracket, Shell Support	1
	*M11084-27	Screw (Support Bracket to Lower Shell and Fuel Tank)	6
	M11084-29	Screw (Lower Shell to Support Bracket)	2
19	1000576	Grommet (Ignition cable and thermostat leads thru lower shell)	3
20	M15809	Plug, Button (for 1/2" dia. hole)	1
21		Not Used	
22	M12650-1	Capacitor	1
13-23	M12651	Clamp, Capacitor Mounting	1
23A	*M11084-27	Screw (Capacitor Clamp to Motor Support Bracket)	1
24	M16645	Bracket, Motor Support	1
	*M11084-27	Screw (Motor Support Bracket to Lower Shell and Fuel Tank)	6
25	1000577	Grommet (Motor and Capacitor Leads thru Motor Support Bracket)	2
	*M15823-26	Screw (Service Cord Grounding)	1
26	M16697	Transformer, 5000 volt	1
	*M11084-27	Screw (Transformer to Motor Support Bracket)	2
27	M11954	Bushing, Strain Relief (Service Cord)	1
28	M10813G33	Service Cord (Extension)	1
	M9900G51	Wire Assy (to capacitor)	1
29	M13942-2	Connector, Wire Nut	1
	M13942-4	Connector, Wire Nut	2
	M9900G62	Wire Assembly (To Starting Relay) &&	1
	M9900G77	Wire Assembly (To Capacitor)&&1	1

30	M18371G2D	Fuel Tank ++	1
31	M18051	Cap, Fuel Tank ++	1
31A	M18053	Screen, Filler Neck ++	1
32	M10990-3	Bushing, Rubber	1
33	M21040	Plug, Pipe Hex Hd. (Tank Drain)	1
34	Ref	Thermostat Assy (See figure 16)	1
	*M10908-1	Screw (Thermostat to Bracket)	4
35	M15814E	Bracket, Thermostat	1
	*M12461-51	Screw (Thermostat Bracket to Lower Shell)	2
	M12250-1	Nut, Tinnerman (Thermostat Bracket to Lower Shell)	2
	M18598G1	Relay and Bracket Assy	1
36	M11952	Bracket, Starting Relay	1
	*M11084-27	Screw (Mounting Bracket to Lower Shell)	1
37	M12462-6	Relay, Starting	1
	RC2-2C	Screw (Relay to Mounting Bracket)	2
	WLI-2	Lockwasher, No. 8	2

*See listing of standard hardware. Purchase locally.

&&Spec. No. 2968G11-1 and 3059G8

++Indicates parts which replace fuel tanks Part No. M16806G1 and fuel tank cap Part No. 3353 as a set of parts. Cap and screen cannot be used with the old fuel tank

Burner Head Assembly (Spec. No. 2964G11)
 Form No. 2395-1 (8/69)

Fig.& Index No.	Part Number	Part Name	Qty.
14-1	M13849	Nut, Flare	1
2	+M16790-3	Filter Tube	1
3	+M19630	Filter, Fuel	1
4	M16803G3	Burner Head Assy	1
	M16741-18	. Ring, Retaining	1
5	M16787G3	. Nozzle Adaptor Assy	1
	M16791	. . Connector, Male	1
6	M5976	. . Connector, Male	1

Fig.& Index No.	Part Number	Part Name	Qty.
14-7	M8882	. . Sleeve, Nozzle Seal	1
8	M10659-1	. . Washer, Nozzle Seal	2
9	M10809-1	. . Spring, Nozzle Seal	1
10	M18022	. . Nozzle, Aspirating, 1.0 gph	1
11	M16535	. . Adaptor, Nozzle	1
12	M16895G1	. Spark Plug Assy	1
13	M18023	. Body, Burner	1

+ Indicates parts which replace Fuel Filter Assembly Part No. M16789G3. Filter tube Part No. M16790-3 must not be used without Fuel Filter, Part No. M19630.

Figure 14. Burner Head Assembly

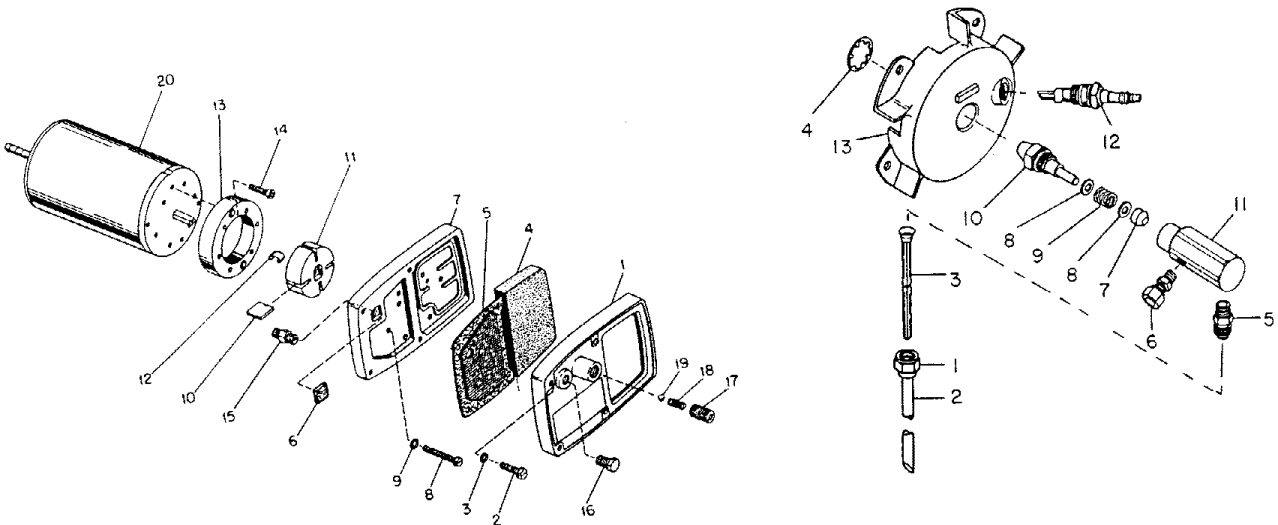


Figure 15. Motor Package Assembly

Fig.& Index No.	Part Number	Part Name	Qty.
15-	M16805G1	Motor Package Assembly (See Figure 13, Index No. 9) @ & 1	
	M17875G1	Motor Package Assembly (See Figure 13, Index No. 9) @ & &	
1	M16545	. End Cover, Filter	1
2	*M12461-31	. Screw (Filter End Cover to Pump End Cover)	4
3	WLI-3	. Lockwasher, Internal No. 10	4
4	M12179	. Intake Air Filter @	1
5	M12244G1	. Output Filter Assy @	1
6	M11637	. Filter, Lint @	1
7	M12233	. End Cover, Pump (Port Plate)	1
8	*M12461-34	. Screw (End Cover to Motor)	6
9	WLI-3	. Lockwasher, Internal No. 10	6
10	M8643-3	. Blade	4
11	M13635-3	. Rotor	1

Fig.& Index No.	Part Number	Part Name	Qty.
15-12	M14856	. Spring	1
13	M8645-3	. Pump Body	1
14	*FHPP3-7C	. Screw (Pump Body to Motor)	2
15	M5976	. Connector, Male	1
16	M10837	. Pipe Plug, Hex hd.	1
17	M10992-1	. Screw, Pressure Adjustment	1
18	M10993-1	. Spring, Compression (Pressure Relief)	1
19	M8940	. Ball, 1/4 in. dia.	1
20	M12811	. Motor &	1
	M17814	. Motor &&	1
	M8608	. End Shield, Motor (Pump-end)	1
	M17316	. End Shield, Front (Fan-end) (For M17814 motors)	1
	M17327	. End Shield, Front (Fan-end) (For M12811 motor only)	1

* See listing of standard screws, purchase locally.
 @ Parts recommended for normal replacement by owner or user.
 & Spec. 2968G11 heaters only.
 && Spec. 2968G11-1 and 3059G8 heaters only.