

Figure 13. Heater Assembly

Index No.	Part Number	Part Name or Description	Qty.
13-1	M17015AW	Shell Assy, Upper	1
2	M16679	Deflector, Heat	1
3	M16887-6	Combustion Chamber	1
	M11084-27	Screw (Combustion Chamber attaching, front)	4
4	M16656-3	Cell and Bushing Assy	1
5	M16660	Bracket, Photo Cell	1
	M10908-1	Screw	2
6	M16803-4	<u>Burner Head Assy</u>	
		(See Figure 14)	1
	M11084-27	Screw (Burner Head to Combustion Chamber)	3
7	M16804	Air Line	1
8	M12461-27	Screw (Air line retaining)	1
9	M24717	Clamp (Air line)	1
10	WLM-3	Lockwasher No. 10	1
11	NPF-3C	Nut, Plain No. 10-32	1
12	M16871	Strap, Retainer	1
	M11084-27	Screw (Retainer Strap to Lower Shell)	2
13	M17058	Fan, 16° Pitch	1
	SF4-2-1/2K	Set screw, Soc. hd., cup pt., 1/4-28 (Fan to Motor Shaft)	2
14	M17875	<u>Motor Package Assy</u>	
		(See Figure 15)	1
15	M16661	Clamp, Motor	4
16	HC4-10C	Screw (Motor Clamps)	2
17	WLM-4	Lockwasher, 1/4 in. (Motor Clamps)	2
18	NPC-4C	Nut, Hex, 1/4-20 (Motor Clamps)	2
19	M16810AW	Shell, Lower	1
20	M11084-27	Screw (Upper Shell to Lower Shell)	8
21	M11271-6	Nut, Tinnerman (Upper Shell to Lower Shell)	8
22	M12828	Bracket, Shell Support	1
	M11084-27	Screw (Support Bracket to Lower Shell and Fuel Tank)	4
23	1000576	Grommet (Cables and Leads thru Lower Shell)	2
24	1000577	Grommet (Leads to Motor and Capacitor)	2
25	M12650-1	Capacitor	1
26	M12651-1	Clamp, Tinnerman (Capacitor Mounting)	1
	M11084-27	Screw (Capacitor Clamp to Motor Support Bracket)	1
27	M16645	Bracket, Motor Support	1
	M11084-27	Screw (Motor Support Bracket to Lower Shell and Fuel Tank)	4
	M15823-26	Screw (Service Cord grounding to Motor Support Bracket)	1
28	M16697	Transformer, 5000-Volt	1
	M11084-27	Screw (Transformer to Motor Support Bracket)	2
29	M11143-1	Bushing, Strain Relief (Service Cord to Lower Shell)	1
30	M10813-33	Service (Extension) Cord	1
31	M13942-7	Connector (Wire Nut)	3
	M13942-5	Connector (Wire Nut)	2
32	M9900-77	Wire Assy. (to capacitor)	1
33	M23284	Cap, Fuel Tank	1
34	M18053	Screen, Filler Neck	1
35	M27547-01AX	Fuel Tank	1
36	M10990-3	Bushing, Rubber (Fuel Filter into Fuel Tank)	1
37	M27417	Plug, Drain	1
	M11084-27	Screw (Thermostat Bracket to Lower Shell (AP))	2

38	M28898-02	Safety Control Assembly	1
39	M28897-01	Trigger Assembly	1
40	M29201	Circuit Breaker	1
41	M12462-6	Relay, Starting	1
	RC2-2C	Screw (Relay to Relay Bracket)	2
	WLM-3	Lockwasher	1
42	M25296-1	Bracket, Safety Control	1
43	M11084-27	Screw	1
44	M16615-1	Wiring Harness Assembly	1
45	M9900-80	Wire Assembly, Safety Control	1
46	M9900-62	Wire Assembly	1

Index No.	Part Number	Part Name or Description	Qty.
15-	M17875-9	<u>Motor Package Assembly</u> (See Figure 13, Index No. 9)	1
-	M16675G2	<u>Pump and Filter Parts Package</u>	1
1	M16545	End Cover, Filter	1
2	M12461-31	Screw (Filter End Cover to Pump End Cover)	4
3	WLI-3	Lockwasher, Internal No. 10	4
4	M12179	Intake Air Filter	1
5	M12244-1	Output Filter Assy	1
6	M11637	Filter, Lint	1
7	M12233	End Cover, Pump (Port Plate)	1
8	M12461-34	Screw (End Cover to Motor)	6
9	WLI-3	Lockwasher, Internal, No. 10	6
10	M8643-3	Blade	4
11	M22456-3	Rotor	1
12	M22009	Insert	1
13	M8645-3	Pump Body	1
14	FHPF3-7C	Screw (Pump Body to Motor)	2
15	M5976	Connector, Male	1
16	M22997	Plug	1
17	M27694	Screw, Pressure Adjustment	1
18	M10993-1	Spring, Compression (Pressure Relief)	1
19	M8940	Ball, 1/4 in. dia.	1
20	M17814-6	Motor	1
-	M16675-2	Kit, Pump and Filter	1

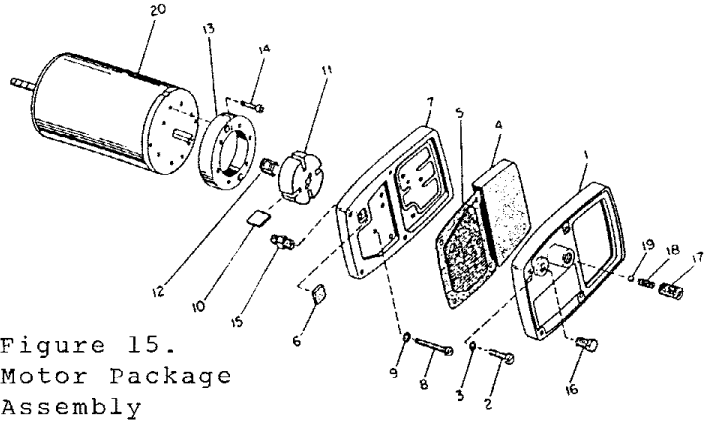


Figure 15. Motor Package Assembly

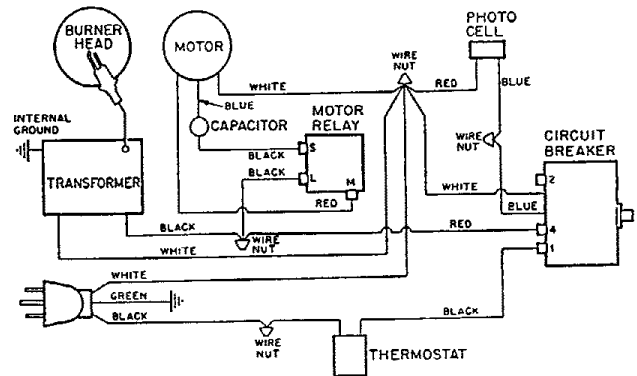


Figure 9. Wiring Diagram

Index No.	Part Number	Part Name or Description	Qty.
14-	M16803-4	<u>Burner Head Assembly</u> (See figure 13)	Ref
1	M16790-12	Filter Tube	1
2	M19630	Filter, Fuel	1
3	M13849	Nut, Flare	1
4	M16741-18	Ring, Retaining	1
	M16787-3	Nozzle Adapter Assy	1
5	M16791	Connector, Male	1
6	M5976	Connector, Male	1
7	M8882	Sleeve, Nozzle Seal	1
8	M10659-1	Washer, Nozzle Seal	2
9	M10809-1	Spring, Nozzle Seal	1
10	M18022	Nozzle, Aspirating, 1.0 gph	1
11	M16535	Adapter, Nozzle	1
12	M10962-2	Spark Plug	1
13	M23090	Body, Burner	1

Figure 14. Burner Head Assembly

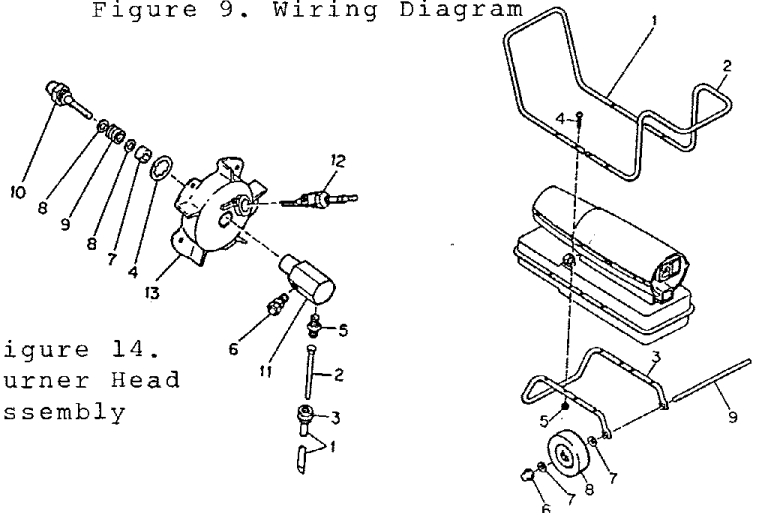


Figure 16. Handles & Wheels

STANDARD SCREWS

Part Number	Part Name or Description
FHPF3-7C	Screw, Fillister hd., No. 10-32 x 7/8 in.
HC4-10C	Screw, Hex hd., machine, 1/4-20 x 1-1/4 in.
M11084-27	Screw, Self-tapping hex hd., No. 10-12-1/2 in. Type "A"
M11084-29	Screw, Self-tapping, hex hd., No. 10-12 x 3/4 in., Type "A"
M12345-31	Screw, Oval hd., machine, No. 10-24 x 1-1/4 in.
M12345-34	Screw, Oval hd., machine, No. 10-24 x 2 in.
M12461-31	Screw, Hex hd., No. 10-32 x 1 in.
M12461-34	Screw, Hex hd., No. 10-32 x 1-1/2 in.
M15823-26	Screw, Self-tapping, hex hd., No. 10-12 x 3/8 in., Type "B"

Index No.	Part Number	Part Name or Description	Qty.
1	M26204-3	Handle, Front	1
2	M26287-3	Handle, Rear	1
3	M26205-3	Frame, Wheel Support	1
4	M12345-33*	Screw, Oval hd., 10-24 x 1-3/4 in.	8
5	NTC-3C*	Nut, Torque, Lock No. 10-24	8
6	M28526	Nut, Cap	2
7	WP-8C*	Washer, Flat, 1/2 inch	2
8	M26307	Wheel	2
9	M16801-6	Axle	1