

DART PORTABLE HEATER MODELS DB50 and DB50D

Spec. No. 2992G24-1, 299G25, 3061G11 and 3061G12 Form No. 2689 (10/70)

PARTS LIST FOR FIGURE 15, MOTOR, PUMP AND BURNER HEAD ASSEMBLY

Index No.	Part Number	Part Name	Quan.	Index No.	Part Number	Part Name	Quan.
	M19115-1	Motor, Pump and Burner Head Assy	1	16	M16790	Tube, Fuel Filter	1
(A)	M19113-1	Burner Head Assy	1	17	M19630	Filter, Fuel	1
1	M11054-1	Nozzle, Siphon	1	18	M16791	Connector, Male	1
2	M10659-1	Washer, Nozzle seal	2	19	ROP12-8	Roll Pin	4
3	M10809-1	Spring, Nozzle seal	1	20	M19112	Body, Burner Head	1
4	M8882	Sleeve	1	(B)	M19114-1	Motor and Pump Assy	1
5	M10837	Plug, Hex hd.	1	21	*FHPPF3-8C	Screw, Fil hd., No. 10-32 x 1 in.	4
6	M10992-1	Screw, Adjusting	1	22	M12430	End cover pump	1
7	M10993-1	Spring, Pressure relief	1	23	*FHPPF3-4C	Screw, Fil. hd., No. 10-32 x 1/2 in.	2
8	M8940	Ball	1	24	M8645	Pump, Body	1
9	*M12461-54	Screw, Hex hd., No. 10-24 x 7/8 in.	2	25	M11959	Pump, Rotor	1
10	M12576	Body Valve	1	26	M11966-5	Spring, Pump Rotor	1
11	M12577	Gasket	1	27	M8643	Blade	1
12	M15241	Output Filter Element	1	28	M17941	Motor	1
13	M16896G1	Spark Plug Assy	1	29	M13372	Seal (O-Ring)	1
14	*M10908-38	Screw, No. 12-24 x 3/8 in., Type "S"	1	30	*FHF3-20C	Screw, Fil. hd., No. 10-32 x 2-1/2 in.	2
15	M13849	Nut, Flared	1				

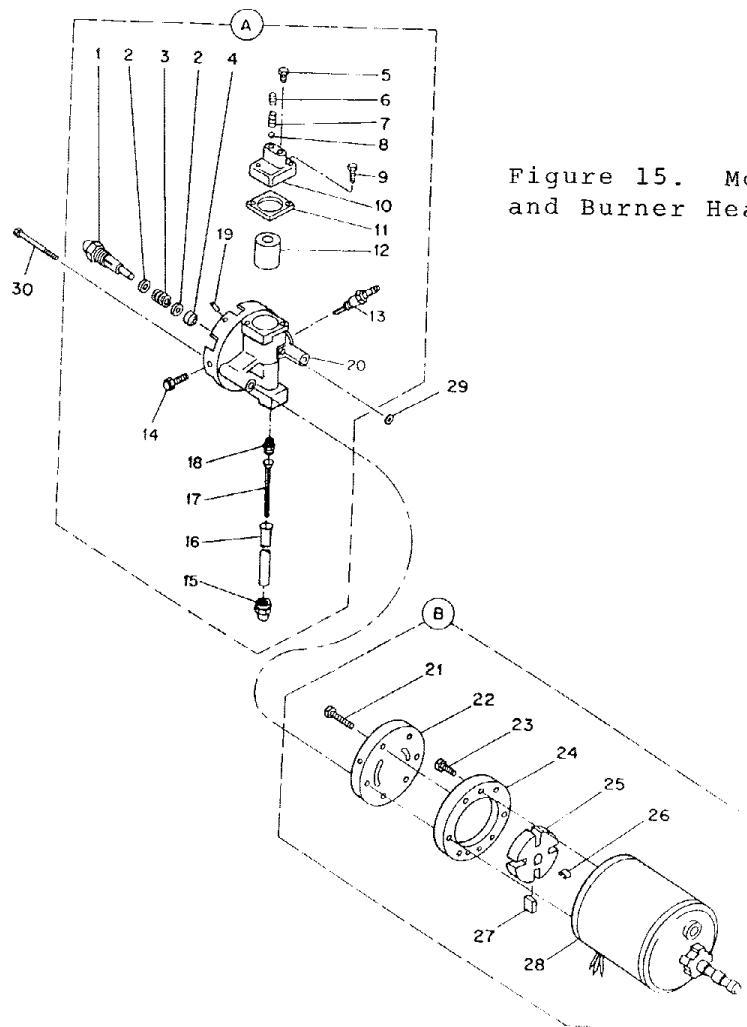


Figure 15. Motor, Pump and Burner Head Assembly

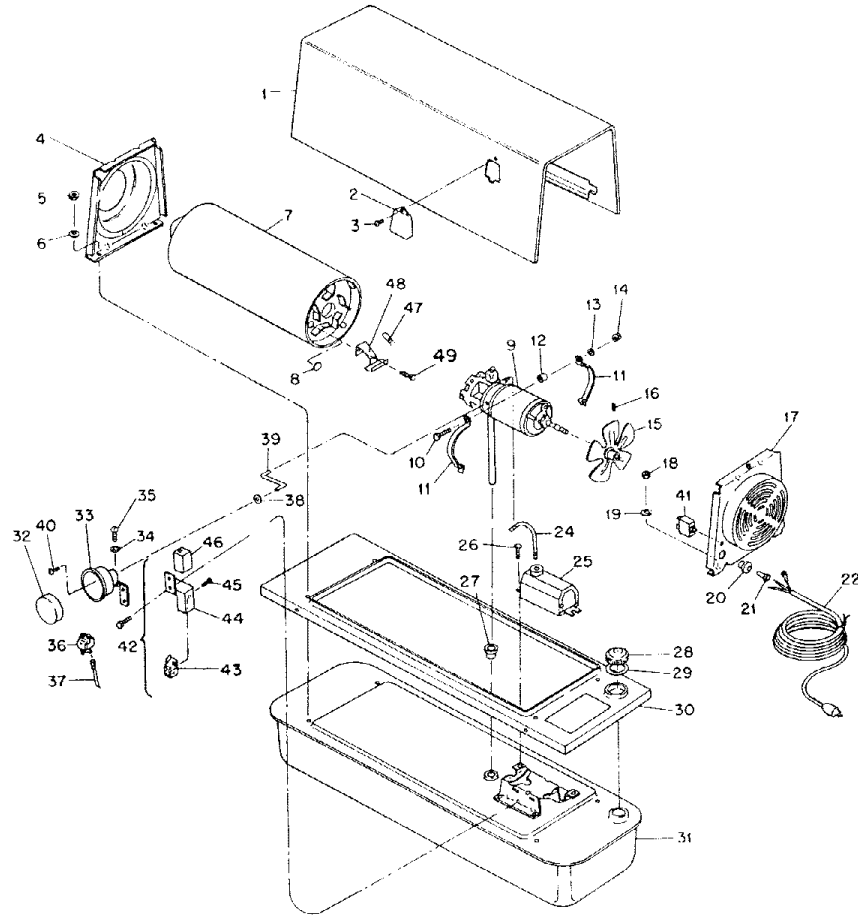


Figure 14. Exploded View of General Assembly

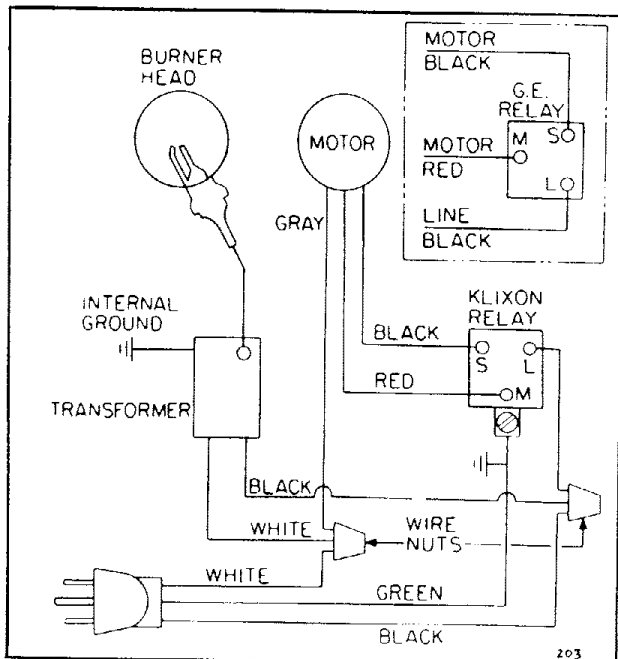


Figure 9. Wiring Diagram for Standard Heaters
 (See Figure 13 for Deluxe Heater Wiring Diagram.)

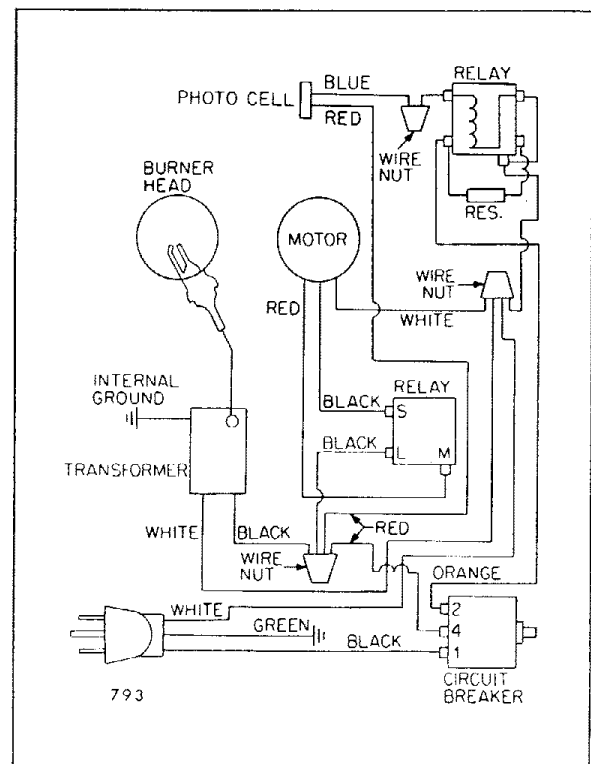


Figure 13. Wiring Diagram for Deluxe Heaters