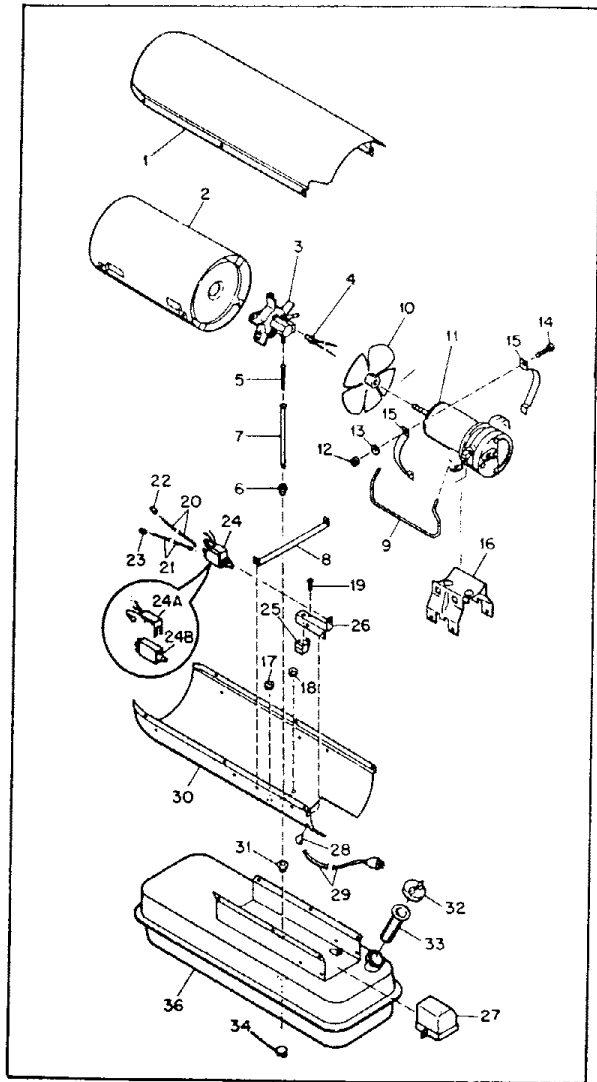


Index No.	Part Number	Part Name	Qty.
1	M26207D	Shell, Upper	1
-	M11084-26	Screw, Hex hd., No. 10-12 x 3/8 in.	6
-	M11271-6	Nut, Tinnerman	6
2	M25019-1	Combustion Chamber Assy	1
3	M23443-3	Burner Head Assembly	NA
4	M16656-3	Photo cell and Bushing Assy	1
5	M19630	Filter, Fuel	1
6	M13849	Nut, Flared	1
7	M16790-14	Tube Fuel Filter	1
8	M25645	Strap, Retainer	1
9	M31305	Air Line	1
10	M25727	Fan, 25/32 pitch	1
-	SF4-2-1/2K	Setscrew, Socket Hd., cup pt., 1/4-28 x 5/16 (furnished with fan)	2
11	M31306-01	Motor Package Assembly	1
12	NPC-4	Nut, Plain, Hex, 1/4-20	2
13	WLM-4	Lockwasher, 1/4 in.	2
14	HC4-10C	Screw, Hex hd., 1/4-20 x 1-1/4 in. (AP)	2
15	M16661	Clamp, Motor	2
16	M25059	Bracket, Support Motor	1
-	M11084-27	Screw, Hex hd., No. 10-12 x 1/2 in. (AP)	4
17	1000576	Grommet	2
18	1000577	Grommet	2
19	ST2-2AC	Screw, Rd. hd. No. 8-15 x 1/4 in. (Grounding)	1
-	M11084-26	Screw, Hex hd., No. 10-12 x 3/8 in. (Relay Bracket)	2
20	M16841-15	Wire Assembly	1
21	M16841-16	Wire Assembly	1
22	M13942-5	Connector, Wire	2
23	M13942-7	Connector, Wire	1
24	M28898-03	Safety Control Assy.	1
25	M25061-1	Relay, Motor Start	1
-	RC2-2C*	Screw, Rd. hd., 8-32 x 1/4 in. (AP)	2
26	M25035	Bracket, Relay	1
27	M16697-02	Transformer Assembly	1
-	M11084-27	Screw, Hex hd., 10-12 x 1/2 in. (AP)	2
28	M11143-1	Bushing, Strain Relief	1
29	M10813-77	Extension Cord Assembly	1
30	M26208D	Lower Shell	1
-	M11084-26	Screw, Hex hd., 10-12 x 3/8 in.	6
31	M10990-3	Bushing	1
32	M23284	Cap, Filler Neck	1
33	M18053	Screen, Filler Neck	1
34	M27417	Drain Plug	1
36	M27553-01C	Fuel Tank Assembly	1



HEATER GENERAL ASSEMBLY, EXPLODED VIEW

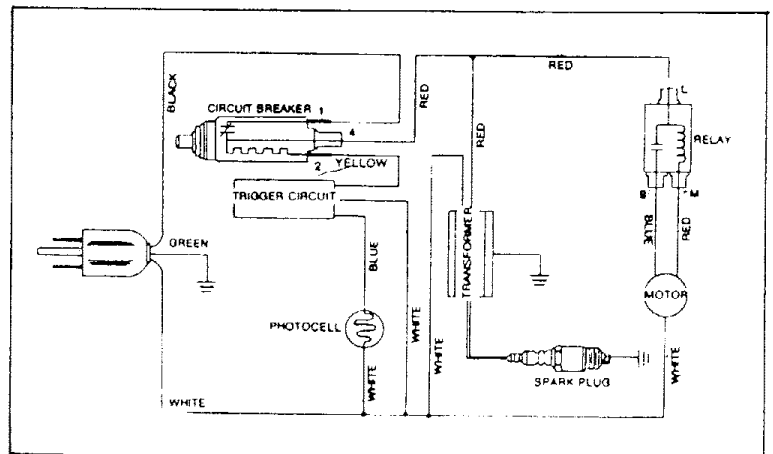


Figure 5. Wiring Diagram

Index No.	Part Number	Part Name	Qty.
	M23443-3	Burner Head Assembly	Ref.
1	M16660	Bracket, Photo Cell	1
2	*M10908-1	Screw, Hex hd., Self-tapping, No. 6-32 x 1/4	2
3	M16741-18	Spark Plug	1
4	M16741-18	Ring, Retaining	1
	M23151-4	Nozzle Adapter Assembly	1
5	M5976	Connector, Male	1
6	M8882	Sleeve, Nozzle Seal	1
7	M10659-1	Washer, Nozzle Seal	2
8	M10809-1	Spring, Nozzle Seal	1
9	M26316	Nozzle, Aspirating	1
10	M16791	Connector, Male	1
11	M16535	Adapter, Nozzle	1
12	M25020	Body, Burner Head	1

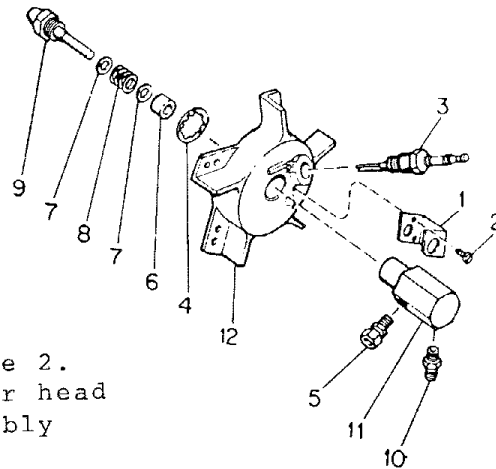


Figure 2.
Burner head Assembly

Motor Package Assembly

Index No.	Part Number	Part Name	Qty.
	M31306-01	Motor Package Assembly	Ref.
1	M29609	End Cover, Filter	1
2	*	Screw, Hex. hd. No. 10-32 x 1 (AP)	3
4	M29633	Intake Air Filter	1
5	M29612-01	Output Filter Assy.	1
6	M29632	Filter, Lint	1
7	M29608	Front Cover, Pump (Port Plate)	1
8	*M12461-31	Scrw, Hex hd. No. 10-32 x 1	6
10	M8643	Blade, Pump	4
11	M22456-1	Rotor, Pump	1
12	M22009	Insert, Rotor	1
13	M8645	Pump Body	1
14	*FHPP3-4C	Screw (Pump Body to Motor)	2
15	M69248	Elbow, 90°	1
16	M22997	Plug	1
17	M27694	Screw, Pressure Adjustment	1
18	M10993-1	Spring, Compression (Pressure Relief)	1
19	M8940	Ball, 1/4 in. dia.	1
20	M25022-1	Motor	1

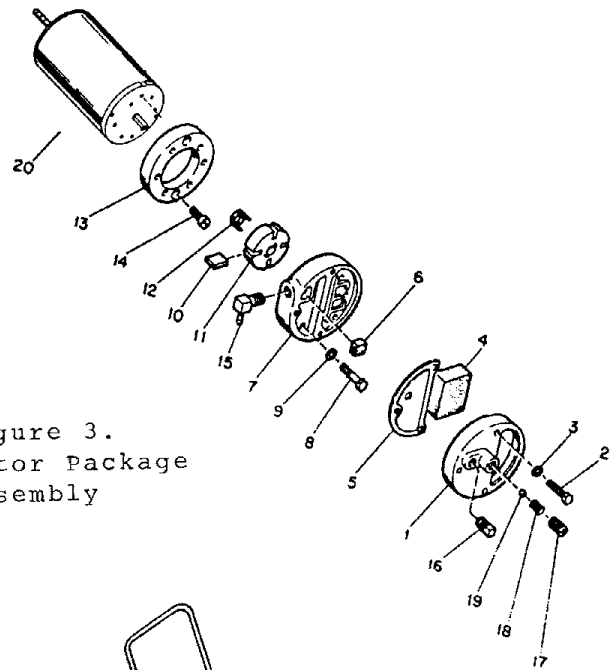


Figure 3.
Motor Package Assembly

*Standard hardware. Purchase locally.

Handle Group

Index No.	Part Number	Part Name	Qty.
1	M26287-3	Handle, Rear	1
2	M26287-3	Handle, Front	1
3	M26205-3	Frame, Wheel Support	1
4	M12345-33*	Screw, Oval hd., 10-24 x 1-3/4 in.	8
5	NTC-3C*	Nut, Torque Lock No. 10-24	8
6	M28526	Nut, Cap	2
7	M26307	Wheel	2
8	M16801-6A	Axle	1

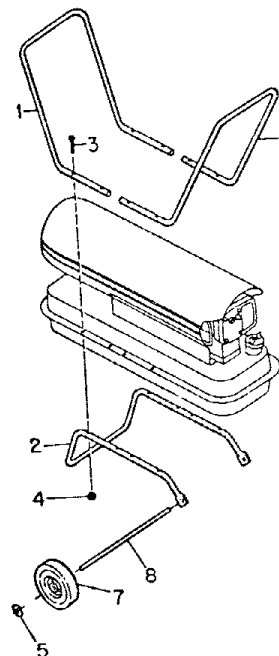


Figure 4.
Handle Group