

MOTOR PACKAGE ASSEMBLY

Index No.	Part Number	Part Name or Description	Ref. Notes	Quan.
-	M16805G1	Motor Package Assembly (See Figure 13, Index No. 9)	@++	1
-	M17875G1	Motor Package Assembly (See Figure 13, Index No. 9)	@	1
-	M16675G2	Pump and Filter Parts Package		1
1	M16545	End Cover, Filter		1
2	M12461-31	Screw (Filter End Cover to Pump End Cover)	*\$	4
3	WLI-3	Lockwasher, Internal, No. 10	\$	4
4	M12179	Intake Air Filter	@	1
5	M12244G1	Output Filter Assy	@	1
6	M11637	Filter, Lint	@	1
7	M12233	End Cover, Pump (Port Plate)		1
8	M12461-34	Screw (End Cover to Motor)	*\$	6
9	WLI-3	Lockwasher, Internal, No. 10	\$	6

Index No.	Part Number	Part Name or Description	Ref. Notes	Quan.
10	M8643-3	Blade		4
11	M13635-3	Rotor		1
12	M14856	Spring		1
13	M8645-3	Pump Body		1
14	FHPF3-7C	Screw (Pump Body to Motor)	*\$	2
15	M5976	Connector, Male		1
16	M10837	Pipe Plug, Hex hd.		1
17	M10992-1	Screw, Pressure Adjustment		1
18	M10993-1	Spring, Compression (Pressure Relief)		1
19	M8940	Ball, 1/4 in. dia.		1
20	M17814	Motor		1
-	M16675G2	Kit, Pump and Filter		1
-	M20711-1	Kit, Motor Replacement (Replaces Motor Motor M12811)		1
-	M20725-1	Kit, Motor Package Replacement (Replaces M12864G1 and M16674G1)		1

Spec. Nos.
2968G24 and
3059G15

Spec. Nos.
2968G25 and
3059G16

* See Listing of Standard Screws, Page 23, for description.
@ Parts recommended for normal replacement by owner or user.
\$ Standard Hardware-procurable locally in most areas.
++Superseded by Motor Package Assy., Part No. M17875G1.
Order Replacement Kit No. M20725-1.

WHEELS, HANDLES, MARKINGS

Index No.	Part Number	Part Name or Description	Ref. Notes	Quan.
1	M15813A	Handle, Rear	&	1
-	M15813-2	Handle, Rear	+	1
2	M15812A	Handle, Front	&	1
-	M15812-2	Handle, Front	+	1
3	M12831B	Frame, Wheel Support	&	1
-	M12831-2	Frame, Wheel Support	+	1
4	M12345-34	Screw		8
5	NTC-3C	Nut, Torque Lock No. 10-24		8
6	M16802	Hub Cap		2
7	M16741-15	Ring, Retaining		2
8	WP-8C	Washer, Flat 1/2 inch		2
9	M19294	Wheel		2
10	M16801-2	Axle		1

& Standard Models Only.
+ Deluxe Models Only.

STANDARD SCREWS

Part Number	Part Name or Description
FHPF3-7C	Screw, Fillister hd, No. 10-32 x 7/8 in.
HC4-10C	Screw, Hex hd., machine, 1/4-20 x 1-1/4 in.
M11084-27	Screw, Self-tapping hex hd., No. 10-12-1/2 in., Type "A"
M11084-29	Screw, Self-tapping, hex hd., No. 10-12 x 3/4 in., Type "A"
M12345-31	Screw, Oval hd., machine, No. 10-24 x 1-1/4 in.
M12345-34	Screw, Oval hd., machine, No. 10-24 x 2 in.
M12461-31	Screw, Hex hd., No. 10-32 x 1 in.
M12461-34	Screw, Hex hd., No. 10-32 x 1-1/2 in.
M15823-26	Screw, Self-tapping, hex hd., No. 10-12 x 3/8 in., Type "B"

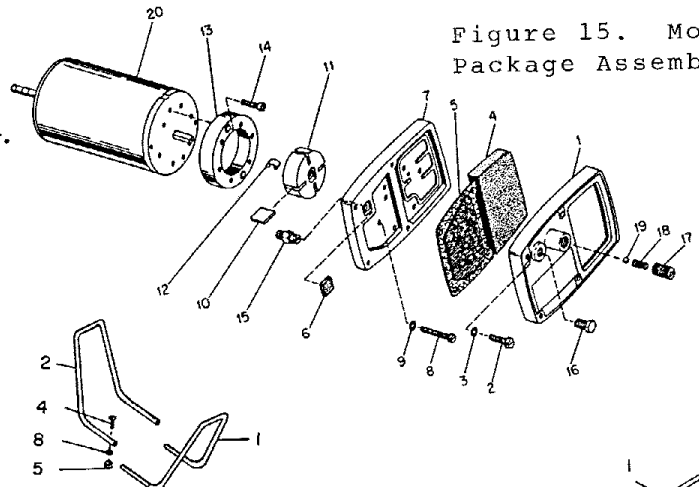


Figure 15. Motor Package Assembly

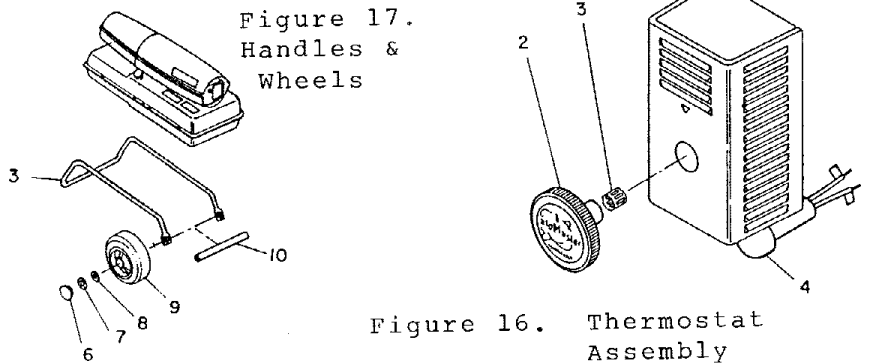


Figure 17. Handles & Wheels

Figure 16. Thermostat Assembly

THERMOSTAT ASSEMBLY

Index No.	Part Number	Part Name or Description	Ref. Notes	Quan.
-	M17073	Thermostat Assy.		+
1	M16143	Thermostat Assy. (See Figure 13, Index No. 34)	&	1
2	M16152	Knob, Thermostat		1
3	M16154	Spring, Thermostat Knob		1
4	M11954	Bushing, Strain Relief		1
	M17063G2	Cable Assy.	&	1

+ Deluxe Models Only.
& Standard Models Only.

DART PORTABLE HEATER MODELS DB-140 and DB-140D
 Spec. Nos. 2968G24 and 3059G15 Spec. Nos. 2968G25 and 3059G16
 Form No. 2694 (10/70)

BURNER HEAD ASSEMBLY

Index No.	Part Number	Part Name or Description	Ref. Notes	Quan.
-	M16803G3	<u>Burner Head Assembly</u> (See Fig. 13, Index No. 5)	@	1
1	M16789G3	Filter Assy, Fuel	@	1
1A	M16790-3	Filter Tube	çç@	(1)
1B	M19630	Filter, Fuel	çç@	(1)
2	M13849	Nut, Flare		1
3	M16741-18	Ring, Retaining		1
-	M16787G3	Nozzle Adapter Assy		1
4	M16791	Connector, Male		1
5	M5976	Connector, Male		1
6	M8882	Sleeve, Nozzle Seal		1
7	M10650-1	Washer, Nozzle Seal		2
8	M10309-1	Spring, Nozzle Seal		1
9	M18022	Nozzle, Aspirating, 1.0 gph		1
10	M16535	Adapter, Nozzle		1
11	M16895G1	Spark Plug Assy (Not available separately)	@	1
13	M18023	Body, Burner Head		1

@ Parts recommended for normal replacement by owner or user.
 çç Set of parts supersedes M16789G3.

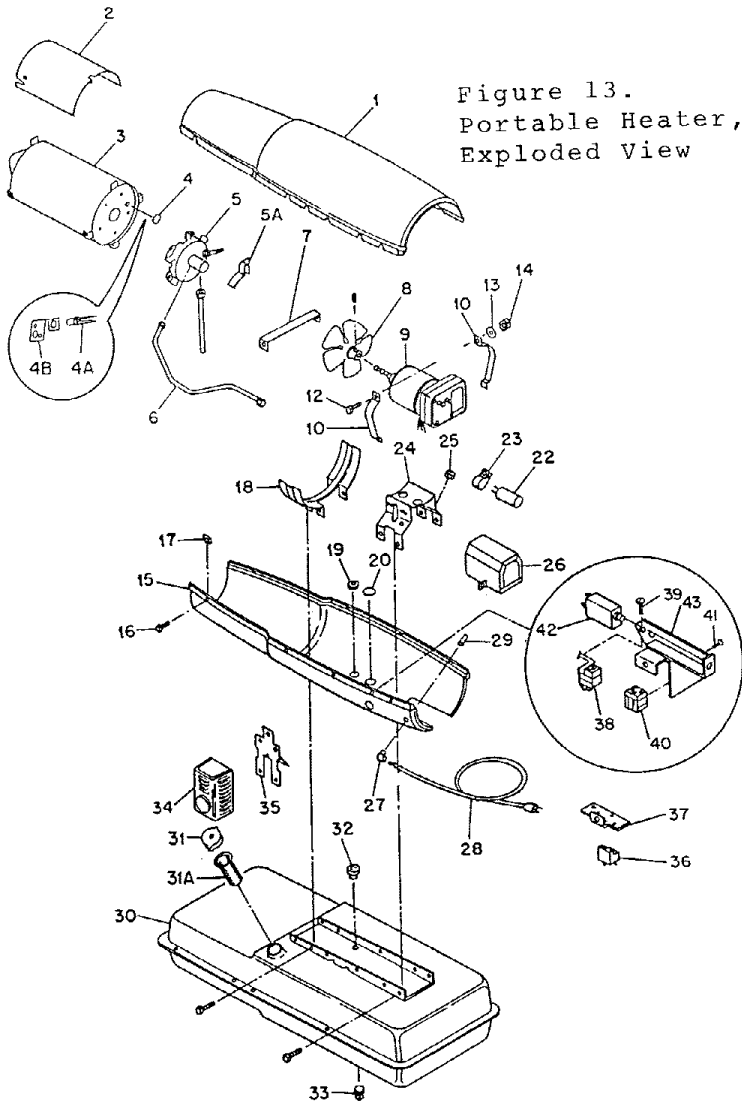


Figure 13.
 Portable Heater,
 Exploded View

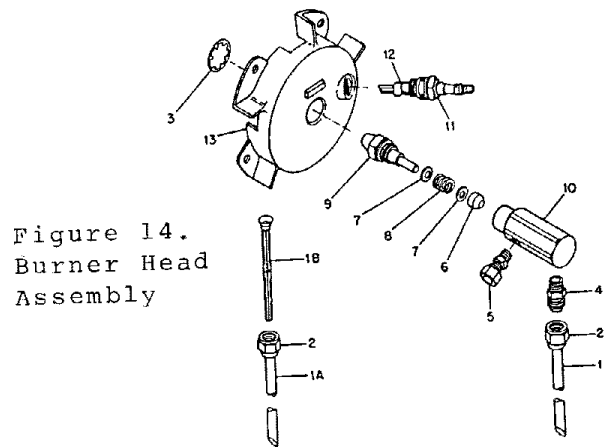


Figure 14.
 Burner Head
 Assembly

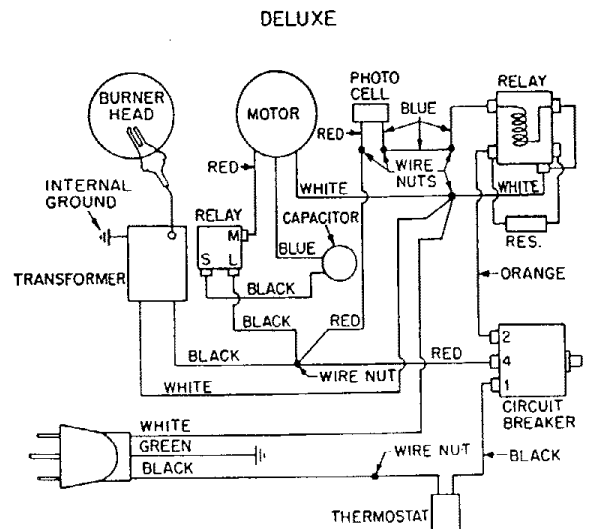
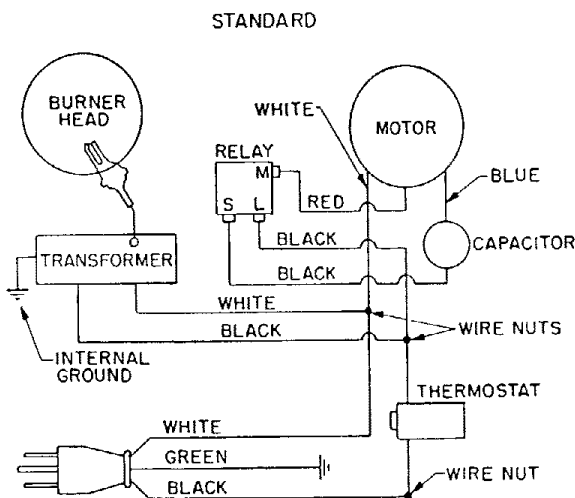


Figure 9. Standard and Deluxe Wiring Diagrams

DART PORTABLE HEATER MODELS DB-140 and DB-140D
 Spec. Nos. 2968G24 and 3059G15
 Form No. 2694 (10/70)

Spec. Nos. 2968G25 and 3059G16

ILLUSTRATED PARTS LIST

Index No.	Part Number	Part Name or Description	Ref. Notes	Quan.	Index No.	Part Number	Part Name or Description	Ref. Notes	Quan.
1	M17015G1H	Shell Assy, Upper	c	1	-	M15823-26	Screw (Service Cord grounding to Motor Support Bracket)	*\$	1
2	M16679	Deflector, Heat		1	26	M16697	Transformer, 5000-Volt	@	1
3	M16887G5	Combustion Chamber		1	-	M11084-27	Screw (Transformer to Motor Support Bracket)	*\$	2
-	M11084-27	Screw (Combustion Chamber attaching, front)	*\$	2	27	M11954	Bushing, Strain Relief (Service Cord to Lower Shell)		1
-	M11084-29	Screw (Combustion Chamber attaching, rear)	*\$	2	28	M10813G33	Service (Extension) Cord		1
4	M15995	Plug Button (Rear head of combustion chamber)	&	1	29	M13942-2	Connector (Wire Nut)	\$&	1
4A	M16656G1	Cell and Bushing Assy.	+	1	-	M13942-2	Connector (Wire Nut)	\$+	4
4B	M16660	Bracket, Photo Cell	+	1	-	M13942-4	Connector (Wire Nut) approx. 7/8 in. long	\$	2
5	Ref.	<u>Burner Head Assembly</u> (See Figure 14)	@	1	-	M9900G77	Wire Assy. (to Capacitor)		1
-	M11084-27	Screw (Burner Head to Combustion Chamber)	*\$	3	30	M18371G2H	Fuel Tank	#c	1
5A	M19488	Limiter, Air	@	1	31	M18051	Cap, Fuel Tank	#	1
6	M16804	Air Line	@	1	31A	M18053	Screen, Filler Neck	#	1
7	M16871	Strap, Retainer		1	32	M10990-3	Bushing, Rubber (Fuel Filter into Fuel Tank)		1
-	M11084-27	Screw (Retainer Strap to Lower Shell)	*\$	2	33	M21040	Plug, Pipe, 1/4 in., Hex hd. (Fuel Tank Drain)		1
8	M17058	Fan, 16° Pitch		1	34	Ref.	<u>Thermostat Assy.</u> (See Figure 16)		1
-	SF4-2-1/2K	Setscrew, Soc. hd., cup pt, 1/4-28 (Fan to Motor Shaft)		2	-	M10908-1	Screw (Thermostat to Bracket)	*	4
9	Ref.	<u>Motor Package Assembly</u> (See Figure 15)	@	1	35	M15814H	Bracket, Thermostat		1
10	M16661	Clamp, Motor		4	-	M12461-51	Screw (Thermostat Bracket to Lower Shell)	*	2
11	Not Used				-	M12250-1	Nut, Tinnerman, No. 10-24 (Thermostat Bracket to Lower Shell)		2
12	HC4-10C	Screw (Motor Clamps)	*\$	2	36	M18598G1	Relay and Bracket Assy	&	1
13	WLM-4	Lockwasher, 1/4 in. (Motor Clamps)	\$	2	-	M12462-6	. Relay, Starting	&	1
14	NPC-4C	Nut, Hex, 1/4-20 (Motor Clamps)		2	-	RC2-2C	. Screw (Relay to Relay Bracket)	*&	2
15	M16810H	Shell, Lower	c	1	37	WLI-2	. Lockwasher	*&	2
16	M11084-27	Screw (Upper Shell to Lower Shell)	*\$	8	-	M11952	. Bracket, Mounting	&	1
17	M11271-6	Nut, Tinnerman (Upper Shell to Lower Shell)	\$	8	-	M16852G4	Relay and Bracket Assy	+	1
18	M12828A	Bracket, Shell Support		1	38	M12462-6	. Relay, Starting	+	1
-	M11084-27	Screw (Support Bracket to Lower Shell and Fuel Tank)	*\$	6	39	RC2-2C	. Screw (Relay to Relay Bracket)	++	2
-	M11084-29	Screw (Lower Shell to Support Bracket)	*\$	2	40	M14378G1	. Relay Assembly	+	1
19	1000576	Grommet (Ignition Cable thru Lower Shell, Thermostat Leads thru Lower Shell)	&	3	41	M12461-2	. Screw (Relay to Relay Bracket)	*+	1
19	1000576	Grommet (Cables and Leads thru lower Shell)	+	4	42	M14360	. Circuit Breaker	+	1
20	M15809	Plug Button (for 1/2" dia. hole)	&	1	43	M16851G1	. Bracket Assy, Control	+	1
21	Not Used				-	M11084-27	Screw (Relay Mounting Bracket to Lower Shell)	*\$	1
22	M12650-1	Capacitor		1	-	ST2-2AC	Screw (Grounding)	*	2
23	M12651	Clamp, Tinnerman (Capacitor Mounting)		1	-	M9900G62	Wire Assy.	\$	1
-	M11084-27	Screw (Capacitor Clamp to Motor Support Bracket)	*\$	1	-	M16615G1	Wiring Harness Assy.	+	1
24	M16645	Bracket, Motor Support		1	-	M10908-1	Screw (photocell bracket)	+	2
-	M11084-27	Screw (Motor Support Bracket to Lower Shell and Fuel Tank)	*\$	6					
25	1000577	Grommet (Motor and Capacitor Leads thru Motor Support Bracket)		2					

Replace fuel tank No. M16806G1 and Cap No. M3353 as a set.
 * See Listing of Standard Hardware, Page 23, for description.
 c Specify color when ordering painted parts.
 + Deluxe Models Only.
 & Standard Models Only.
 @ Parts recommended for normal replacement by owner or user.
 \$ Standard Hardware - procurable locally in most areas.