

ILLUSTRATED PARTS LIST

| Fig. 12 | | | | Fig. 12 | | | |
|---------|------------|---|------|---------|------------|--|------|
| Index | Part | | | Index | Part | | |
| No. | Number | Part Name | Qty. | No. | Number | Part Name | Qty. |
| 1 | M17015-3C | Shell, Upper | 1 | - | M11084-29 | Screw, Hex hd., 10-12x3/4 in. (AP) | 4 |
| | M11084-27 | Screw, Hex hd., No. 10-12 x 1/2 in. (AP) | 6 | 41 | M23284 | Cap, Filler | 1 |
| | M11271-6 | Nut, Tinnerman | 6 | 42 | M18053 | Screen, Filler Neck | 1 |
| 2 | M16679 | Deflector, Heat | 1 | 43 | M10990-3 | Bushing | 1 |
| 3 | M16887-7 | Combustion Chamber Assembly | 1 | 44 | M10816-47 | Lead Assembly, Transformer | 1 |
| 4 | M16803-7 | Burner Head Assembly | 1 | 45 | M25922 | Transformer Assembly | 1 |
| | | (For details see figure 13) | 1 | 46 | M11084-27 | Screw, Hex hd., 10-12x1/2 in. (AP) | 2 |
| - | M11084-27 | Screw, Hex hd., No. 10-12 x 1/2 in. (AP) | 3 | 47 | M14243-3 | Handle, Rear | 1 |
| 5 | M13961A | Bracket Photo Cell | 1 | 48 | M12345-34 | Screw, Oval hd., 10-24x2 in. (AP) | 4 |
| - | M10908-1 | Screw, Hex hd., No. 6-32 x 1/4 in. (AP) | 2 | 49 | NTC-3C | Nut, Torque Lock No. 10-24 (AP) | 4 |
| 6 | M23609-1 | Photo Cell | 1 | 50 | M27417 | Drain Plug Assembly | 1 |
| 7 | M13962A | Tube, Photo Cell | 1 | 51 | M16801-2 | Axle | 1 |
| 8 | M13963A | Clamp, Tube | 1 | 52 | M12831-3 | Frame, Wheel support | 1 |
| 9 | M12461-2 | Screw, Hex hd., 6-32 x 3/8 in. | 2 | 53 | M12345-34 | Screw, Oval hd., 10-24x2 in. (AP) | 4 |
| 10 | NPC-1C | Nut, Plain, 6-32 | 2 | 54 | NTC-3C | Nut, Torque Lock, 10-24 | 4 |
| 11 | M15714-2 | Connector, Wire | 2 | 55 | WP-8C | Washer, Flat, 1/2 in. | 2 |
| 12 | M25912-2 | Lead Wire, Photo Cell | 1 | 56 | M19294 | Wheel | 2 |
| 13 | M12461-27 | Screw, Hex hd., No. 10-32 x 1/2 in. | 1 | 57 | M16741-15 | Ring, Retaining | 2 |
| 14 | M24717 | Clamp | 1 | 58 | M10813-41 | Extension Cord Assembly | 1 |
| 15 | WLM-3 | Lockwasher | 1 | 59 | M6082 | Connector, Straight | 1 |
| 16 | NPF-3C | Nut, Hex, 10-32 | 1 | 60 | 50460 | Locknut | 1 |
| 17 | M16871 | Strap, Retainer | 1 | 61 | RC3-4C | Screw, Rd hd., No. 10-24 x 1/2 in. (Ground wire) | 1 |
| - | M11084-27 | Screw, Hex hd., No. 10-12 x 1/2 in. (AP) | 2 | 62 | NTC-3C | Nut, Lock No. 10-24 (Ground wire) | 1 |
| 18 | M17058 | Fan, 16° Pitch | 1 | 63 | M22082 | Control Assembly, Safety | 1 |
| | SF4-2-1/2K | Setscrew, Socket hd., cup pt., 1/4-28 x 5/16 in. (furnished with fan) | 2 | 64 | RF3-4C | Screw, Rd. hd., No. 10-32 x 1/2 in. (AP) | 2 |
| 19 | M17875-8 | Motor Package Assembly | 1 | 65 | M25297-9 | Thermostat Assembly | NA |
| | | (For details see figure 14) | 1 | - | NPC-1C | Nut, Plain hex, No. 6-32 (AP) | 2 |
| 20 | NPC-4 | Nut, Plain hex, 1/4-20 (AP) | 2 | - | WLI-1 | Lockwasher, No. 6 (AP) | 2 |
| 21 | WLM-4 | Lockwasher, 1/4 in. (AP) | 2 | - | RC1-3C | Screw, Rd hd., No. 6-32 x 3/8 in. (AP) | 2 |
| 22 | HC4-10C | Screw, Hex hd., 1/4-20 x 1-1/4 in. (AP) | 2 | - | M17063-31 | . Cable Assembly | 1 |
| 23 | M16661 | Clamp, Motor (AP) | 4 | - | M25131 | . Bushing, Strain Relief | 1 |
| 24 | M26046 | Cap | 1 | - | M25046 | . Thermostat | 1 |
| 25 | M16804 | Air Line | 1 | 66 | M25121B | Bracket, Thermostat | 1 |
| 25A | M12828 | Shell Support Bracket | 1 | - | M11084-27 | Screw, Hex hd., No. 10-12 x 1/2 in. (AP) | 2 |
| 26 | M16645 | Bracket, Motor Support | 1 | 67 | M11143-1 | Bushing, Strain Relief | 1 |
| - | M11084-27 | Screw, Hex hd., No. 10-12 x 1/2 in. (AP) | 4 | 68 | M27284 | Circuit Breaker | 1 |
| 27 | 1000576 | Grommet | 3 | 69 | M16841-19 | Wire Assy, Circuit Breaker | 1 |
| 28 | 1000577 | Grommet | 1 | 70 | M25920 | Insulator, Terminal | 2 |
| 29 | M11084-27 | Screw, Hex hd., 10-13 x 1/2 in. (Relay bracket) | 1 | 71 | M15714-1 | Connector, Wire | 4 |
| 30 | M11271-6 | Nut, Tinnerman | 1 | - | M15714-2 | Connector Wire | 2 |
| 31 | M25920 | Insulator, Terminal | 5 | 72 | M27324-1C | Control Box Mounting Assy | 1 |
| 32 | M16841-21 | Wire Assembly, Relay | 1 | 73 | M11084-27 | Screw, Hex hd., No. 10-12x1/2 in. (AP) | 2 |
| 33 | M16841-20 | Wire Assembly, Capacitor | 1 | 74 | M25907 | Bushing, Snap | 1 |
| 34 | M11084-39 | Screw, Hex hd., No. 8-15 x 1/2 in. | 1 | 75 | M23611 | Bushing, Snap | 1 |
| 35 | M12651-1 | Clamp Capacitor | 1 | 76 | M27547-02B | Fuel Tank Assembly | 1 |
| 36 | M12650-1 | Capacitor | 1 | 77 | M21983 | Guard, Nose | 1 |
| 37 | M12462-6 | Relay, Motor start | 1 | 78 | M12345-34 | Screw, Oval, 10-24 x 2 in. (AP) | 4 |
| 38 | RC2-2C | Screw, Rd. hd., 8-32 x 1/4 in. (AP) | 2 | 79 | NTC-3C | Nut, Torque Lock No. 10-24 (AP) | 4 |
| 39 | M11952 | Bracket, Relay | 1 | 80 | M21997-1 | Handle, Front | 1 |
| 40 | M27285C | Lower Shell Assembly | 1 | 81 | M3570 | Clip, Nylon | 2 |
| - | M11084-27 | Screw, Hex hd., 10-12x3/8 in. (AP) | 4 | 82 | M11084-39 | Screw, Hex hd., 8-15x1/2 in. (AP) | 2 |
| | | | | | M29014 | Decal, Tradename | 1 |
| | | | | | M24810 | Decal, Mfg. by | 1 |
| | | | | | M25958 | Decal, Guard | 1 |
| | | | | | M25953 | Decal, CAUTION | 1 |
| | | | | | M29090 | Decal, N. P. | 1 |
| | | | | | M26050 | Decal, Wiring | 1 |
| | | | | | M25952 | Decal, Operation Instructions | 1 |

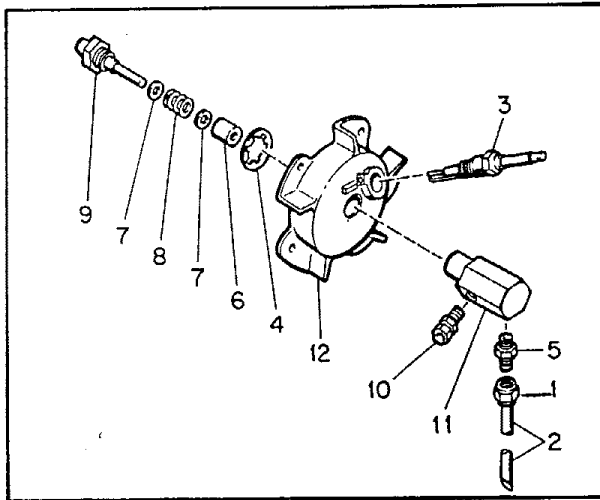


Figure 13. Burner Head Assembly

Fig. 13

| Index No. | Part Number | Part Name | Qty. |
|-----------|-------------|-------------------------|------|
| - | M16803-7 | Burner Head Assembly | Ref |
| 1 | M13849 | . Nut, Flared | 1 |
| 2 | M16789-7 | . Fuel Filter Assembly | 1 |
| 3 | M13031-2 | . Spark Plug | 1 |
| 4 | M16741-18 | . Ring, Retaining | 1 |
| | M16787-7 | . Nozzle Adapter Assy | 1 |
| 5 | M5976 | . . Connector, Male | 1 |
| 6 | M8882 | . . Sleeve, Nozzle Seal | 1 |
| 7 | M10659-1 | . . Washer, Nozzle Seal | 2 |
| 8 | M10809-1 | . . Spring, Nozzle Seal | 1 |
| 9 | M18022 | . . Nozzle, Aspirating | 1 |
| 10 | M16791 | . . Connector, Male | 1 |
| 11 | M16535-2 | . . Adapter, Nozzle | 1 |
| 12 | M23090 | . Body, Burner Head | 1 |

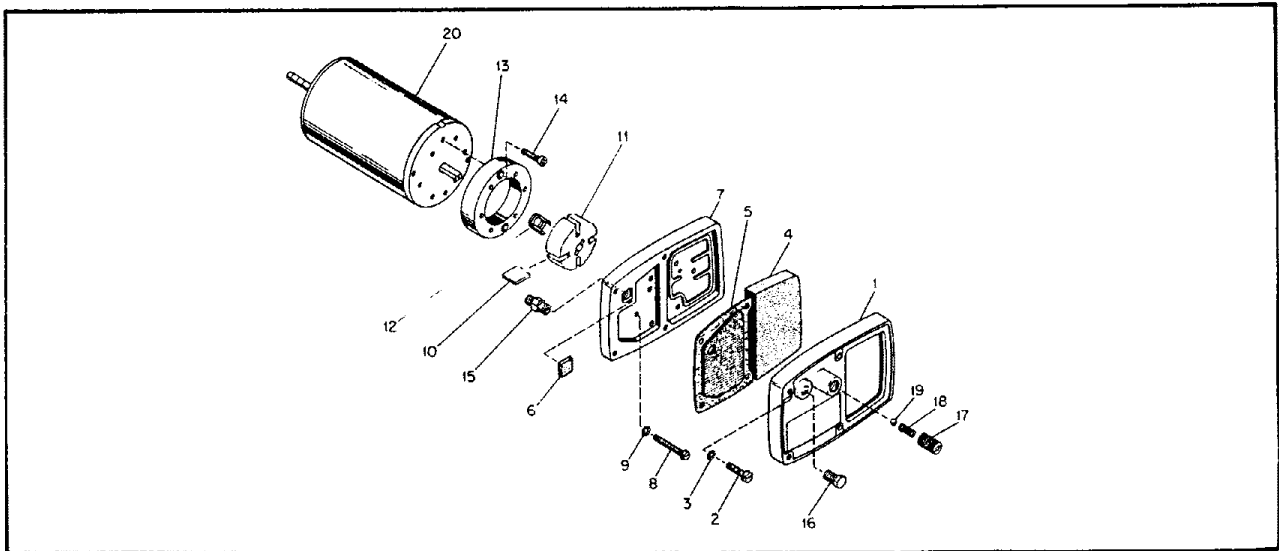


Figure 14. Motor Package Assembly

| Index No. | Part Number | Part Name | Qty. |
|-----------|-------------|---|------|
| 17- | M17875-8 | Motor Package Assembly | 1 |
| 1 | M16545 | . End Cover, Filter | 1 |
| 2 | *M12461-31 | . Screw, Hex hd. No. 10-32 x 1 (AP) | 4 |
| 3 | *WLI-3 | . Lockwasher, Internal No. 10 (AP) | 4 |
| 4 | M12179 | . Intake Air Filter | 1 |
| 5 | M12244-1 | . Output Filter Assy | 1 |
| 6 | M11637 | . Filter, Lint | 1 |
| 7 | M12233 | . Front Cover, Pump (Port plate) | 1 |
| 8 | *M12461-34 | . Screw, Hex hd., No. 10-32 x 1-1/2 (AP) | 6 |
| 9 | WLI-3 | . Lockwasher, Internal No. 10 (AP) | 6 |

| Index No. | Part Number | Part Name | Qty. |
|-----------|-------------|--|------|
| 10 | M8643-3 | . Blade, Pump | 4 |
| 11 | M22456-3 | . Rotor, Pump | 1 |
| 12 | M22009 | . Insert, Rotor | 1 |
| 13 | M8645-3 | . Pump Body | 1 |
| 14 | *FHFP3-7C | . Screw (Pump Body to Motor) | 2 |
| 15 | M5976 | . Connector, Male | 1 |
| 16 | M22997 | . Plug | 1 |
| 17 | M23105 | . Screw, Pressure Adjustment | 1 |
| 18 | M10993-1 | . Spring, Compression (Pressure Relief) | 1 |
| 19 | M8940 | . Ball, 1/4 in. dia. | 1 |
| 20 | M17814-5 | . Motor | 1 |

AP Indicates attaching parts.

* Standard Hardware. Purchase Locally.