

Figure 3.
General Assembly,
Exploded View

Index No.	Part Number	Part Name	Qty.
4-	M23373-2	Motor and Pump Assembly	N/A
1	57413	Elbow, Street 1/4 in.	2
2	M3973	Filter, Fuel	1
	M4307	Filter Can	1
	M3301-2	Filter Gasket	1
	M3301	Filter Element	1
3	M17499-1	Nipple	1
4	M22872-1	Pump, Fuel	1
5	69246	Nipple, Pipe, 1/8 in.	1
6	M3974-5	Valve, Solenoid	1
7	M5976	Connector, Male	1
8	*HC5-7C	Screw, Hex hd., 5/16-18 x 3/4 in.	4
9	*WLM-5C	Lockwasher, 5/16 in.	4
10	*WP-5C	Washer, Plain, 5/16 in.	4
11	M22348	Adaptor	1
12	*RF3-6	Screw, Rd. hd., No. 10-32 x 3/4 in.	3
13	WP-3C	Washer, Plain	3
14	M18436	Spring	1
15	M22873	Coupling	1
16	M23357-1	Motor	1
	M3486-18	Tubing, Varnish, Solenoid Leads	1
	1001349	Connector, Solenoid Leads	1

Figure 2. Wiring Diagram

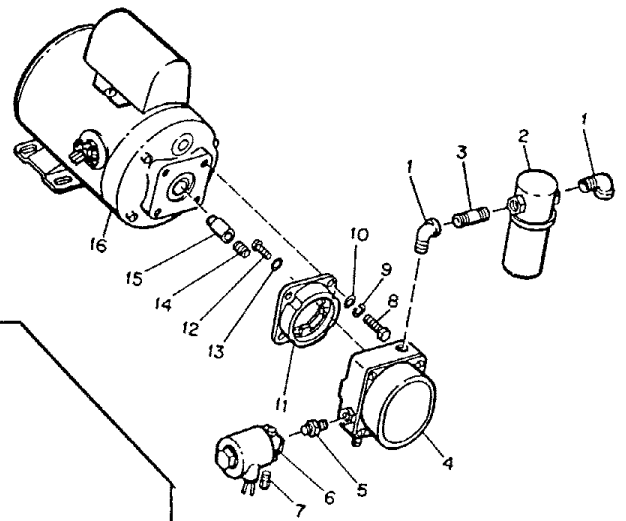
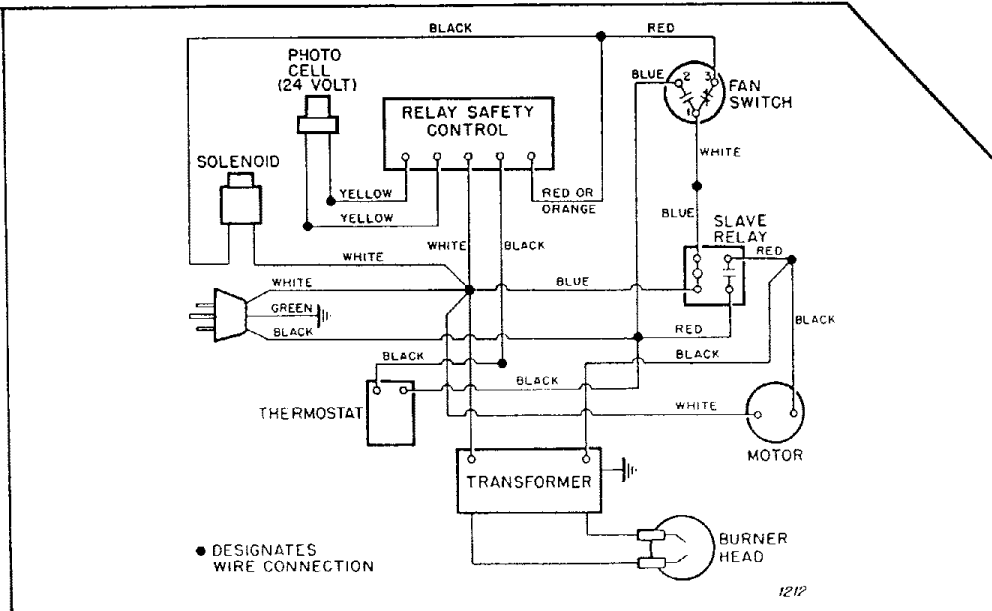


Figure 4. Motor
and Pump Assembly

HEATER GENERAL ASSEMBLY, DB300D

Index No.	Part Number	Part Name	Qty.	Index No.	Part Number	Part Name	Qty.
1	M18089B	Nose cone	1	35	M19516B	Handle, Front	1
	M11084-27	Screw, No. 10-12 x 1/2 (Nose cone to Outer Shell)	6	36	M19515B	Handle, Rear	1
2	M18085B	Outer Shell	1		M12345-49	Screw, No. 10-24 x 2-1/4 (Handle to Fuel Tank)	8
	M11084-27	Screw, No. 10-12 x 1/2 (Outer Shell to Tank)	6		NTC-3C	Nut, Torque Lock 10-24	8
3	M18087B	Cover, Outer Shell	1	37	M3259-4	Transformer	1
	M11084-27	Screw, No. 10-12 x 1/2 (Cover to Outer Shell)	6		WLM-4C	Washer, Lock 1/4 in.	2
	M11271-6	Nut, Tinnerman (Cover to Outer Shell)	6		NPC-4C	Nut, Hex, 1/4-20	2
4	M22905A	Support, Cover	1	38	M18764-1A	Motor Bracket Assembly	1
	M12461-26	Screw, No. 10-32 x 3/8 in. (Support to Outer Shell)	5		M11084-27	Screw, 10-12 x 1/2 in. (Motor Bracket attaching)	6
5	1000576	Grommet	4	39	M3334-10	Fuel Line Assembly	2
6	M18915	Deflector, Heat	1	40	M18919-1	Fuel Intake Tube	2
	M12461-26	Screw, No. 10-32 x 3/8 in. (Outer Shell to Combustion Chamber)	6	41	M18298-2B	Fuel Tank Assembly	1
7	M18773-3	Combustion Chamber	1	42	M18774	Axle	1
8	M18867	Spacer	2	43	M18619B	Frame, Wheel Support	1
9	M5895	Switch, Thermal	1	44	WP-10C	Washer, Flat, 5/8 in.	4
10	ST2-8AC	Screw, No. 8-15 x 1 (Thermal Switch attaching)	2	45	M8111	Wheel	2
11	M23537	Plate, Deflector	1	46	C5-10C	Pin, Cotter, 5/32 x 1-1/4 in.	1
12	M18777-2	Nozzle and Electrode Adaptor Assembly	1	47	M10813-14	Extension Cord	1
13	M16741-18	. Retaining Ring, Nozzle	1	48	M27570	Relay, Safety Control	1
14	M3981	. Electrode	2		M3558	Connector, Wire	4
15	M16712	. Bushing, Electrode	2		M5187	Connector, Wire	3
	M12461-14	. Screw, 8-32 x 3/8 (Electrode Clamping)	2	49	M21686	Relay	1
16	M18775	. Bracket, Nozzle	1	50	M3011	Box switch	1A
17	M22626	. Nozzle	1		M12461-27	Screw, 10-32 x 1/2 (Box attaching)	2
18	M4274	. Spring	1		NTF-3C	. Nut, Torque lock, 10-32 (Box attaching)	2
19	M18776	. Adapter	1	51	1001349	Connector	2
20	69248	. Elbow	1	52	M21786B	Bracket, Switch box	1
	M11084-27	Screw No. 10-12 x 1/2 (Adapter Mounting)	2		M11084-27	Screw, No. 10-12 x 1/2 (Switch bracket to tank)	2
20A	M10816-33	Electrode Lead	2		WLI-3	Lockwasher No. 10	2
20B	M27555	Fan	1	53	M25297-10	Thermostat Assembly	1
21	M21964	Key, Fan Locating	1		RC1-3C	Screw, Rd hd., 6-32 x 3/8 in.	2
22	M23386-1C	Guard, Fan	1		WLI-1	Washer, Lock No. 6	2
	M12461-25	Screw, Hex hd., 10-32 x 1/4	4		NPC-1C	Nut, Plain No. 6-32	2
	WLM-3C	Lockwasher, No. 10	4	54	M25121B	Bracket, Thermostat	1
23	M23373-2	Motor and Pump Assembly (See figure 4 for details)	1		M11084-27	Screw, 10-12 x 1/2 (Bracket to Outer Shell)	2
	HC4-4C	Screw, 1/4-18 (Motor mounting)	4		WLI-3	Lockwasher No. 10	2
	NTC-4C	Nut, Torque lock, 1/4-18	4	55	M5889	Grommet	1
	WP-4C	Washer, Plain 1/4	4	56	M8257	Plug, Pipe	1
24	M18877	Fuel Line, Pump to Nozzle	1	57	M18053	Screen, Filler neck	1
25	M12461-2	Screw, 6-32 x 3/8 in.	2	58	M23284	Cap, Filler	1
26	M13963A	Clamp, Tube	1		M21788-1	Wire Harness Assy	1
27	M13962A	Tube, Photo cell	1		M25912-3	Wire	1
28	M25912-1	Photo cell	1				
29	M10908-1	Screw, 6-32 x 1/4 in.	2				
30	NPC-1C	Nut, Plain No. 6-32	2				
31	M12461-24	Screw, 8-32 x 3/8 in.	1				
32	NTC-2C	Nut, Torque lock No. 8-32	1				
33	M13961A	Bracket, Photo Cell	1				
34	M21329	Heat Deflector, Bottom	1				