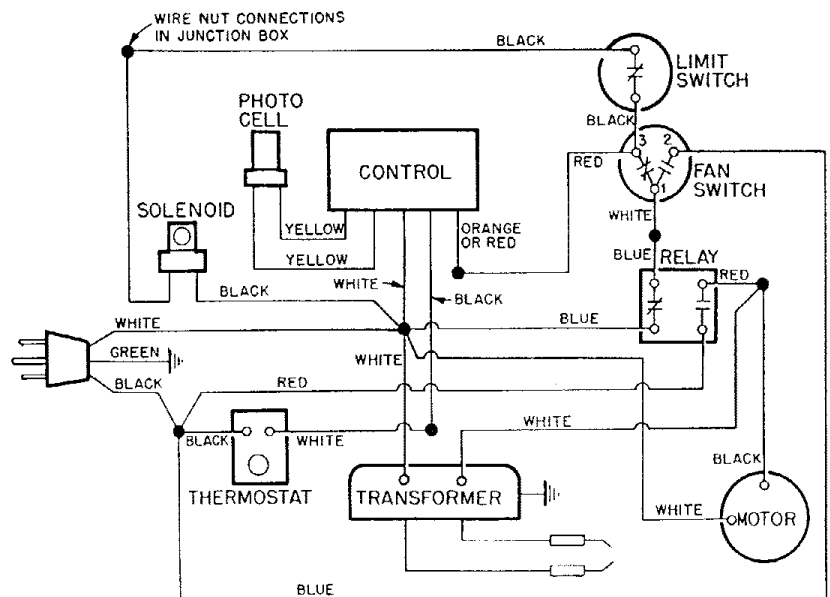


Figure 4. Heater Assembly, Exploded View

Figure 3. Wiring Diagram



PARTS LIST FOR FIGURE 4, HEATER ASSEMBLY

Index No.	Part Number	Part Name	Qty.	Index No.	Part Number	Part Name	Qty.
1	M27579B	Aspirator	1	27	M27827-3	Transformer Assy	1
-	M11084-27	Screw, Self-tapping, 10-12 x 1/2	16	-	NPC-4C	Nut, Plain, 1/4-20	2
2	M27578A	Bracket, Aspirator	4	-	WLM-4C	Lockwasher, 1/4 in.	2
3	M28300B	Cone, Nose	1	28	M19513-1C	Motor Bracket Assy	1
-	M11084-27	Screw, Hex hd., 10-12 x 1/2	6	-	M11084-27	Screw, Self tapping, 10-12 x 1/2	8
4	M27576B	Shell, Outer	1	-	WLI-3	Lockwasher, Internal	2
-	M12461-27	Screw, Hex hd., 10-32 x 1/2	6	29	M3334-10	Fuel Line Assy	2
-	M11084-27	Screw, Hex hd., 10-12 x 1/2	6	30	M18919-1	Intake Tube Assy	2
5	M28402-01B	Stack Guard Assembly	1	31	M10813-69	Extension Cord Assy	1
-	M11084-27	Screw, Hex hd., 10-12 x 1/2	4	32	M18774	Axle	1
6	M27577B	Cover, Outer Shell	1	33	WP-10C	Washer, Plain	4
-	M11084-27	Screw, Hex hd., 10-12 x 1/2	6	34	M8111	Wheel	2
-	M11271-6	Nut, Tinnerman	6	35	C5-10C	Pin, Cotter	2
-	M12461-27	Screw, Hex hd., 10-32 x 1/2	5	36	M18519B	Frame, Wheel support	1
7	M22905A	Support, Cover	1	37	M27570	Safety Control Relay	1
8	1000576	Grommet	4	-	M29179-1	Connector, Wire	7
-	M27575-1	Heat Exchanger Assembly	1	38	M20302	Relay, Slave	1
9	M27610-1	. Heat Exchanger Cover Assy	1	39	50460	Lock nut	6
9A	M27614	. Front Head Assembly	1	40	M25527	Connector	6
-	M11567-35	. Screw, Hex hd., 10-32 x 3/8 in. stainless steel	14	41	M3011	Box, Utility	1
9B	M4785	. Fin, Deflector	3	-	M12461-27	Screw, Hex hd., 10-32 x 1/2	2
-	M10908-14	. Screw, Hex hd., 8-32 x 3/8 in.	6	-	WLI-3	Lockwasher, Internal No. 10	2
9C	M27613	. Head, Rear	1	42	M5889	Grommet	1
-	M11084-36	. Screw, Hex hd., 10-12 x 3/8 in.	8	43	1000576	Grommet	3
10	M27608-1	. Combustion Chamber Assy	1	44	M21962-2	Wire Harness Assy	1
11	M28406B	Casting, Exhaust	1	45	M25297-1D	Thermostat Assy	1
-	M11084-27	Screw, Hex hd., 10-12 x 1/2	4	-	NPC-1C	Nut, Plain, 6-32	2
12	M18666-3	Burner Head Assy (For details see figure 6)	1	-	WLI-1	Lockwasher, Internal, No. 6	2
-	M12461-63	Screw, Hex hd., 1/4-20 x 1/2	2	-	RC1-3C	Screw, Rd. hd., 6-32 x 3/8	2
13	M10816-45	Electrode Lead Assembly	2	46	M25121B	Thermostat Bracket	1
14	M27555	Fan	1	-	M11084-27	Screw, Self-tapping, 10-12 x 1/2	2
15	M23386-1C	Fan Guard Assembly	2	-	WLI-3	Lockwasher, Internal No. 10	2
-	M12461-25	Screw, Hex hd., 10-32 x 1/4	4	47	M21786B	Bracket, Box mounting	1
-	WLM-3	Lockwasher	4	48	M8257	Plug, Pipe	1
16	M21964	Key, Locating	1	49	M18053	Screen, Filler neck	1
17	M23373-4	Motor and Pump Assembly (For details see figure 5)	1	50	M23284	Cap, Filler	1
-	NPC-4C	Nut, Plain, 1/4-20	4	51	M3570	Clip, Nylon	9
-	WLM-4C	Lockwasher, 1/4 in.	4	-	M11084-39	Screw, Self-tapping, 8-15 x 1/2	3
-	WP-4C	Washer, Plain, 1/4 in.	4	-	NTC-2C	Nut, Torque Lock, No. 8-32	3
-	HC4-5C	Screw, Hex hd., 1/4-20 x 5/8	4	-	M12461-25	Screw, Hex hd., 8-32	4
18	M18877	Fuel line	1	52	M18298-2B	Fuel Tank Assembly	1
-	M25912-3	Lead wire	1	53	50460	Locknut	1
19	M12461-2	Screw	2	54	M25527	Connector	1
20	NPC-1C	Nut	2	55	M12661A	Cover box	1
21	M13963A	Clamp, Tube	1	55A	M25920	Insulator, Terminal	4
22	M13962A	Tube, Photo cell	1	-	M16710	Gasket	1
23	M23609	Photo cell	1	-	M10908-1	Screw, Self-tapping, 6-32 x 1/4	1
24	M13961A	Photo cell bracket assembly	1	-	M12656-7A	Controls and Box Assembly	1
-	M10908-1	Screw, Self-tapping, 6-32 x 1/4	2	56	M12303-2	. Thermostat, Limit	1
25	M19515B	Handle, Rear	1	57	M12302	. Thermostat, Fan	1
26	M19516B	Handle, Front	1	58	M12461-18	. Screw, Hex hd., 8-32 x 1/8	4
-	M12345-49	Screw, Oval head, 10-24 x 2-1/4	8	59	M12297-1	. Collar	4
-	NTC-3C	Nut, Torque Lock	8	60	M12301	. Spring	1
				61	NPC-2C	. Nut, Plain, Hex 8-32	4
				62	M12657-1A	. Control Box Assembly	1
				-	M11084-29	Screw, Self-tapping, 10-12 x 3/4	4
				-	WLI-3	Lockwasher, Internal, No. 10	4
				63	M13042	Spacer	4
				64	M12662	Spacer, Limit switch	1
				65	M28352-01	Spacer, Fan switch	1

PARTS LIST FOR FIGURE 5, MOTOR AND PUMP ASSEMBLY

Index No.	Part Number	Part Name	Qty.
6-	M23373-4	Motor and Pump Assy	Ref.
1	57413	Elbow, Street, 1/4 in.	2
2	M3973	Filter, Fuel	1
	M4307	. Filter Can	1
	M3301-2	. Filter Gasket	1
	M3301	. Filter Element	1
3	M17499-1	Nipple	1
4	M22872-1	Pump, Fuel	1
5	69246	Nipple, Pipe 1/8 in.	1
6	M29700-01	Valve, Solenoid	1
7	M5976	Connector, Male	1
8	*HC5-7C	Screw, Hex hd., 5/16-18 x 3/4	4

Index No.	Part Number	Part Name	Qty.
9	*WLM-5C	- Lockwasher, 5/16 in.	4
10	*WP-5C	Washer, Plain, 5/16 in.	4
11	M22348	Adaptor	1
12	*RF3-6C	Screw, Rd hd., No. 10-32 x 3/4 in.	3
13	WP-3C	Washer, Plain	3
14	M18436	Spring	1
15	M22873	Coupling	1
16	M23357-3	Motor Assembly	1
-	M40909	Wire Tie	1
	M29694-01	Tubing, Varnish, Solenoid leads	1
	1001349	Connector	

NA Not available as a service part. Order individual parts.  
\* Standard hardware. Procure locally.

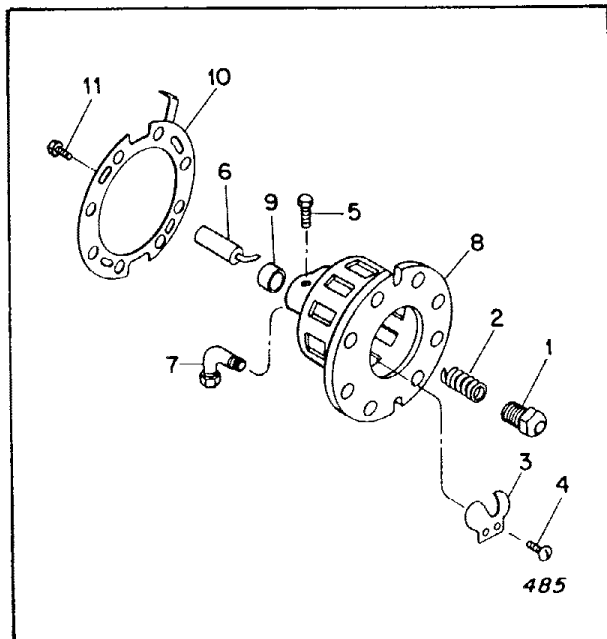
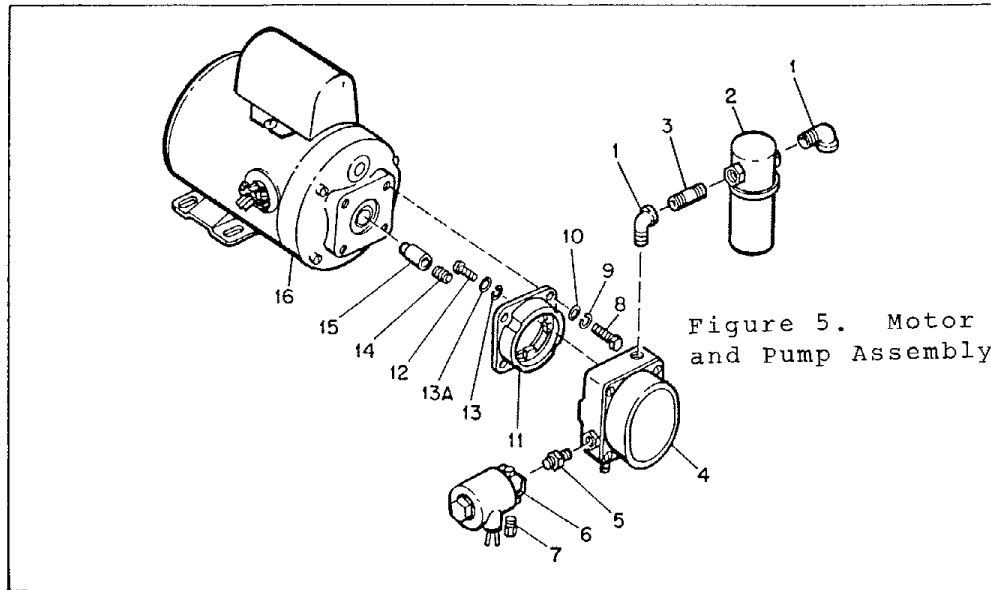


Figure 6. Burner Assembly

PARTS LIST FOR FIGURE 6, BURNER HEAD ASSEMBLY

Index No.	Part Number	Part Name	Qty.
-	M18666-3	Burner Head Assembly	1
1	M27828	. Nozzle	1
2	M4274	. Spring	1
3	M3978	. Deflector, Air	1
4	RC1-2	. Screw, Rd hd., No. 6-32 x 1/4 in.	2
5	HF3-4C	. Screw, Hex hd., No. 10-32 x 1/2 in.	2
6	M3981	. Electrode	2
7	69248	. Elbow	1
8	M18665-2	Burner Body	1
9	M28340	Bushing, Electrode	2
10	M16650G1	. Shutter Plate Assy	1
11	M12461-25	. Screw, Hex hd., No. 10-32 x 1/4 in.	4