

Figure 5. General Exploded view, Part 2 of 2

Figure 5. General Exploded View, Part 1 of 2

PARTS LIST

Index No.	Part Number	Part Name	Qty.	Index No.	Part Number	Part Name	Qty.
1	M16114-1B	Handle Assy, Rear	1	41	M24030C	Nose Cone	1
2	M15835C	Cowl	1	42	M24029-1C	Aspirator Assembly	1
3	M11084-29	Screw, Self-tapping, hex hd, 10-12 x 3/4	7	43	M11084-27	Screw	12
4	M11271-6	Nut, Tinnerman	7	44	M15838-1C	Stack Guard	1
5	M17531-1C	Guard Assembly, Screen	1	45	M10908-27	Screw, Self-tapping, hex hd No. 10-32 x 1/2 in.	4
6	REF	Motor and Pump Assy (See Fig. 6)	NA	46	M4812-3C	Door, Access	1
7	HC6-10C	Screw, Hex hd, 3/8-16 x 1-1/4 in.	4	47	RF3-2C	Screw, Rd hd No. 10-32 x 1/4 in.	1
8	WP-6C	Washer, Plain, 3/8 in.	4	48	M11271-3	Nut, Tinnerman	1
9	NTC-6C	Nut, Torque lock, 3/8-16	4	49	M16169C	Support, Motor	1
10	M16793C	Bracket, Support	1	50	NTC-4C	Nut, Torque Lock 1/4-20	6
11	HF3-4C	Screw, Hex hd, No. 10-32 x 1/2	1	51	HC4-4C	Screw, Hex hd, 1/4-20 x 1/2 in.	6
12	WLM-3C	Lockwasher, No. 10	1	52	M3334-10	Fuel Line Assy	1
13	NPF-3C	Nut, Hex, No. 10-32	1	-	M3334-7	Fuel Line Assy	1
14	M16050	Fan	1	53	M10923-1	Intake and Return Tube Assy	2
14A	M24177	Key, Fan Locating	1	54	M18384-2C	Fuel Tank Assy	1
15	M18666-1	Burner Head Assy (See Fig. 7)	1	55	M23284	Cap, Filler Neck	1
16	M12461-63	Screw, Hex hd, 1/4-20 x 1/2 in.	2	55A	M18053	Screen, Fuel Tank	1
17	M10816-28	Electrode Lead Assy	2	56	M8257	Plug, Pipe	1
	M14941-3	Tubing, Shrink (electrode leads)	2	57	HC4-20C	Screw, Hex hd, 1/4-20 x 2-1/2 in.	8
	M3486-8	Tubing, Varnish, 12 in. long (electrode leads)	2	58	WP-4C	Washer, Plain, 1/4 in.	8
18	M23384	Fuel Line (Pump to Burner)	1	59	NTC-4C	Nut, Torque Lock 1/4-20	4
19	M1000576	Grommet (Electrode Leads)	2	60	M16117-2C	Plate, Lifting eye	8
20	M3530	Grommet, 7/8 in. (Fuel Line)	1		M15114-3C	Tube, Spacer	8
21	M15853-2	Deflector, Air	5	61	HC4-20C	Screw, Hex hd, 1/4-20 x 2-1/2	4
22	M12461-62	Screw, Hex hd, 1/4-20 x 3/8 in.	10	62	NTC-4C	Nut, Torque Lock, 1/4-20	4
23	M15844C	Casting, Exhaust	1	63	M8482C	Axle Assy	1
24	M10908-27	Screw, Self-tapping, hex hd., 10-32 x 1/2 in.	4	64	HC4-20C	Screw, Hex hd, 1/4-20 x 2-1/2 in.	4
25	M16176-2	Heat Exchanger Assy	1	65	NTC-4C	Nut, Torque Lock, 1/4-20	4
26	M17389-2	Front Head Assy	1	66	M8111	Wheel	2
27	M12461-27	Screw, Hex hd No. 10-32 x 1/2 in.	6	67	WP-10C	Washer, Plain 5/8 in.	4
28	M16125-1	Cover Assy	1	68	CS-10C	Cotter Pin	2
29	M16127	Bracket	1	69	M15842B	Handle, Front	1
30	M12461-65	Screw, Hex hd, 1/4-20 x 3/4 in.	12	70	HC4-20C	Screw, Hex hd, 1/4-20 x 2-1/2 in.	4
31	NTC-4C	Nut, Torque Lock 1/4-20	12	71	NTC-4C	Nut, Torque Lock	4
32	M17372	Washer	12	72	M3304-3	Rubber Foot	2
33	M16128	Gasket	12		M13337	Decal, Caution	1
34	M16126	Cover, Heat Exchanger	1		M4950	Decal, Caution	1
35	M12461-57	Screw, Hex hd No. 10-24 x 1-1/4 in.	24		M18899	Decal, Vent Instructions	1
36	WLM-3	Washer, Lock No. 10	24		M25659	Decal, Nameplate	1
37	M16167-2	Heat Exchanger	1		M16739	Decal, Operation Instructions	1
38	M12461-27	Screw, Hex hd No. 10-32 x 1/2 in.	8		M25658	Decal, Dart	1
39	M18331-3B	Outer Shell Assy	1		M22219	Label, CSA	1
40	M10908-26	Screw, Self-tapping, hex hd., No. 10-32 x 3/8 in.	7		57305	Rivet	2
					M24810	Decal, Mfg by	1
					M20532-1	Decal, Pump Pressure	1
					M22743	Decal, Warning	1
					M23353-6	Paint, Yellow, Aerosol Can	1
					M23353-10	Paint, Black, Aerosol Can	1
					M22219	Decal, Wiring	1

NA - Not available as a service part.

PARTS LIST GENERAL EXPLODED VIEW, PART 2 of 2

Index No.	Part Number	Part Name	Qty.	Index No.	Part Number	Part Name	Qty.
1	M10908-1	Screw, Self-tapping, hex hd No. 6-32 x 1/4 in.	2	14	M21686	Relay	1
2	M21865-1A	Bracket, Photocell	1	-	M15714-2	Connector, Wire	1
3	M13962A	Tube, Photocell	1	15	M3011	Box, Utility	1
4	M13963A	Clamp, Tube	1	-	M12461-27	Screw, Hex hd No. 10-32 x 1/2	2
5	FHC1-4C	Screw, Fillister hd No. 6-32 x 1/2 in.	2	-	NTF-3C	Nut, Torque Lock, 10-32	2
6	NTC-1C	Nut, Torque Lock No. 6-32	2	16	M24270	Cover, Terminal Strip	1
7	RC2-3C	Screw, Rd hd, No. 8-32 x 3/8	1	16A	M22012	Control, Safety	1
8	NTC-2	Nut, Torque Lock, 8-32	1	-	M12461-27	Screw, Hex hd No. 10-32 x 1/2	2
9	M21953-4	Photo cell	1	17	M25297-3	Thermostat Assy	1
-	M15141-10	Conduit, Photo cell, and transformer leads to control	2	18	M10908-2	Screw	2
-	56022	Connector, 90°	2		WLI-1	Washer	2
-	M15140	Connector, Straight, photocell leads	1		M15140	Connector, Straight	1
-	M15454	Insulator, Photocell leads	2		M15454	Insulator	1
10	M21957-2	Transformer	1		M15141-18	Conduit, Motor leads	1
11	WLM-4C	Washer, Lock	2		56022	Connector, 90°	1
12	NPC-4C	Nut	2		M15454	Insulator	2
13	M10813-48	Extension Cord Assembly	1	19	M10908-1	Screw	1
-	M15141-1	Conduit, Solenoid valve to utility box	1	20	M10908-31	Screw	4
-	56022	Connector, 90°	1	21	M12661B	Cover	1
-	M15140	Connector, Straight	1	22	M12656-5A	Controls and Box Assembly	1
-	M15454	Insulator	2	23	M12303-2	Thermostat, Limit	1
-	M21961-1	Wire Harness Assembly	1	24	M12302	Thermostat, Fan	1
-	M15141-24	Conduit, Utility Box to Control Assembly	1	25	M12461-20	Screw, Hex hd	4
-	56022	Connector, 90°	2	26	M18305	Spring	4
-	M15454	Insulator	2	27	NPC-2C	Nut, Hex	4
				28	M12297-2	Collar	4
				29	M12657G1A	Control Box Assy	1
				30	M16710	Gasket	1
					M12662-2	Spacer	2

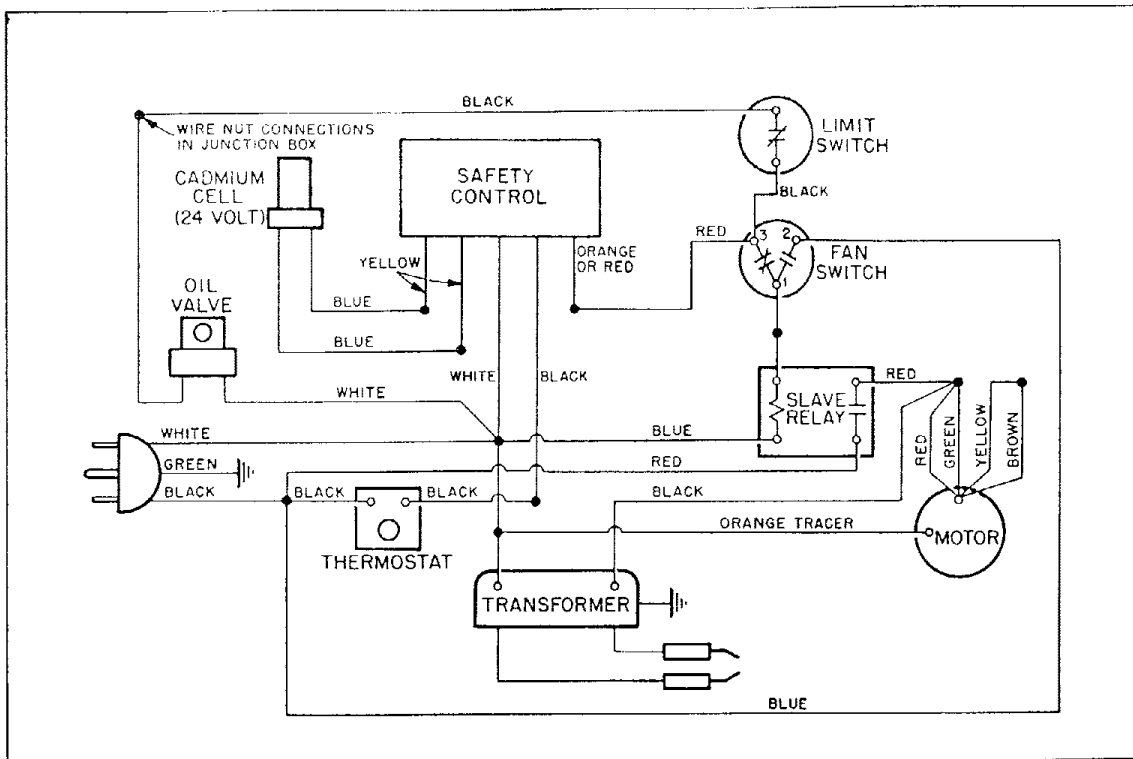


Figure 4. Wiring Diagram

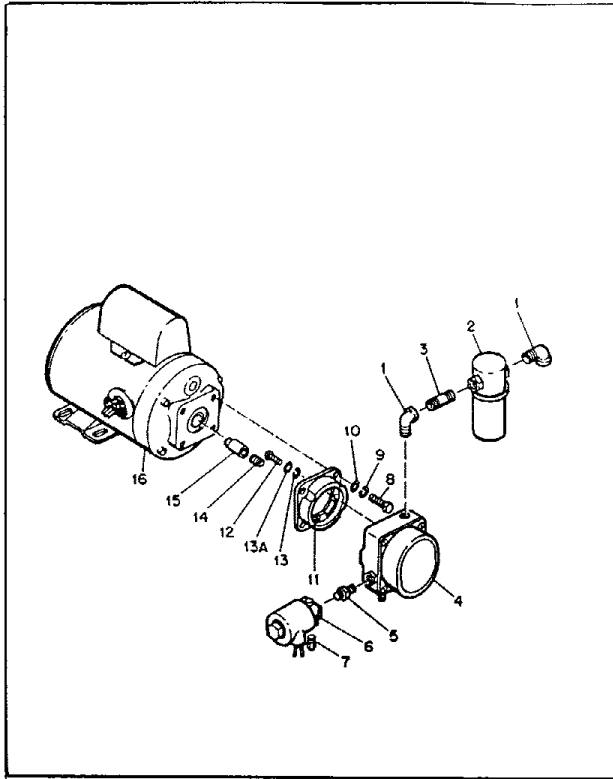


Figure 6. Motor and Pump Assembly

MOTOR AND PUMP ASSEMBLY

Index No.	Part Number	Part Name	Qty.
6-	M23383-1	Motor and Pump Assy (See Fig. 5)	N/A
1	57413	Elbow, Street 1/4 in.	2
2	M3973	Filter, Fuel	1
	M4307	. Filter Can	1
	M3301-2	. Filter Gasket	1
	M3301	. Filter Element	1
3	M3463	Nipple, Hex, 1/4-18 NPTF	1
4	M22872-2	Pump, Fuel	1
5	69246	Nipple, Pipe 1/8 in.	1
6	M3974-7	Valve, Solenoid	1
7	M5976	Connector, Male	1
8	*HC5-7C	Screw, Hex hd, 5/16-18 x 3/4 in.	4
9	*WLM-5C	Lockwasher, 5/16 in.	4
10	*WP-5C	Washer, Plain, 5/16 in.	4
11	M22348	Adaptor	1
12	*RF3-6C	Screw, Rd. hd., No. 10-32 x 3/4 in.	3
13	*WLM-3	Lockwasher No. 10	3
13A	WP-3C	Washer, Flat	3
14	M18436	Spring	1
15	M22873	Coupling	1
16	M16006	Motor, Lead Alteration	1

N/A Not available as a service part. Order individual parts.
* Standard Hardware. Procure locally.

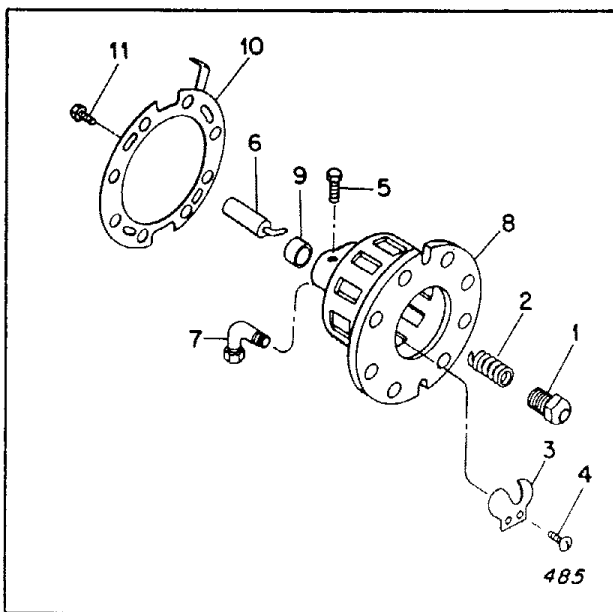


Figure 7. Burner Assembly

BURNER HEAD ASSEMBLY

Index No.	Part Number	Part Name	Qty.
	Ref	BURNER HEAD ASSEMBLY	1
1	M18303	. Nozzle	1
2	M4274	. Spring	1
3	M3978	. Deflector, Air	1
4	RC1-2	. Screw, Rd. hd., No. 6-32 x 1/4 in.	2
5	HF3-3	. Screw, Hex hd., No. 10-32 x 3/8 in.	2
6	M3981	. Electrode	2
7	69248	. Elbow	1
-	M3853G8	. Burner Body and Bushing Assy	1
8	M18665	. . Burner Body	1
9	M16712	. . Bushing, Electrode	2
10	M16650G1	. Shutter Plate Assy	1
11	M12461-25	. Screw, Hex hd., No. 10-32 x 1/4 in.	4