

Figure 4. Wiring Diagram

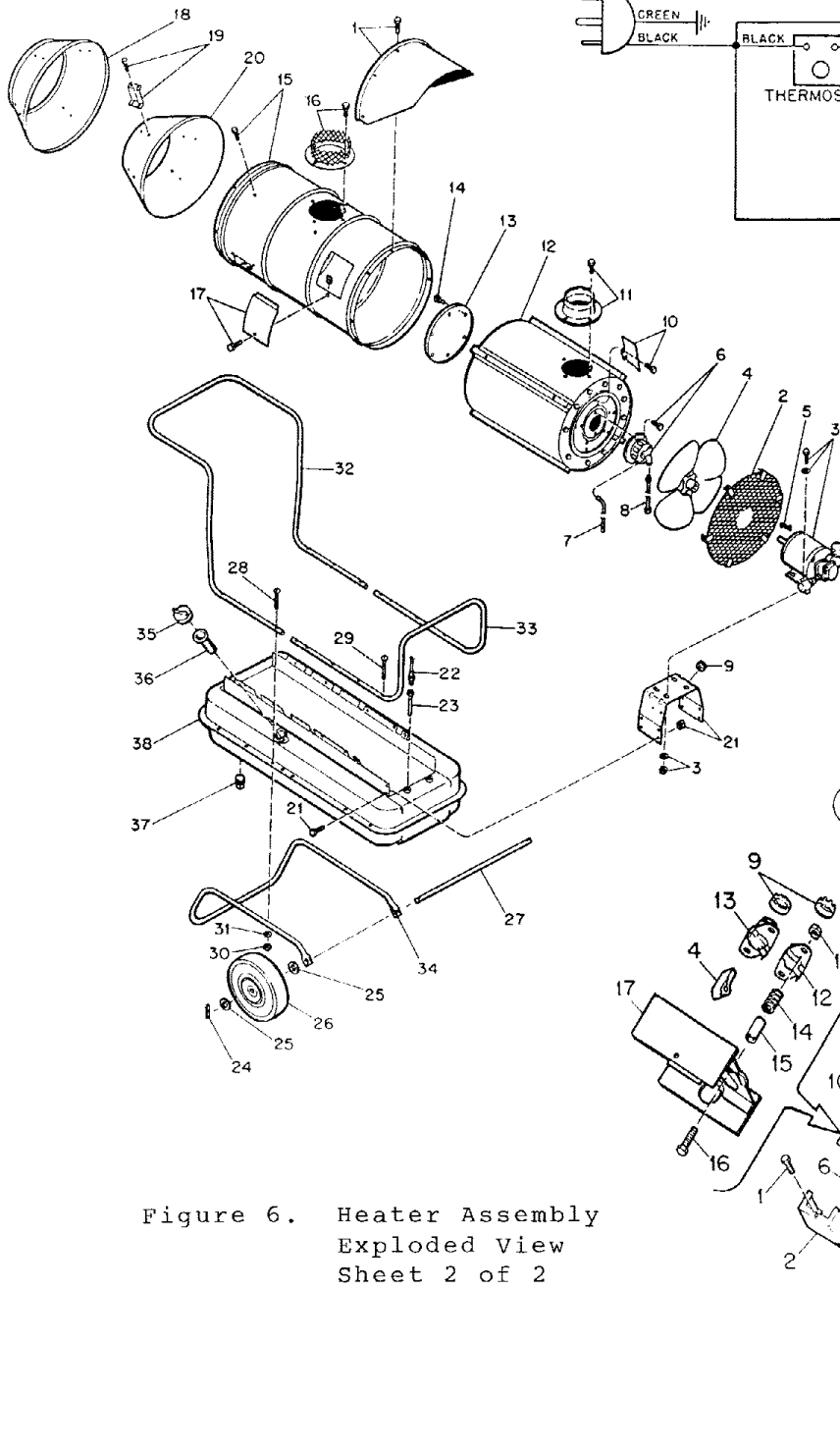
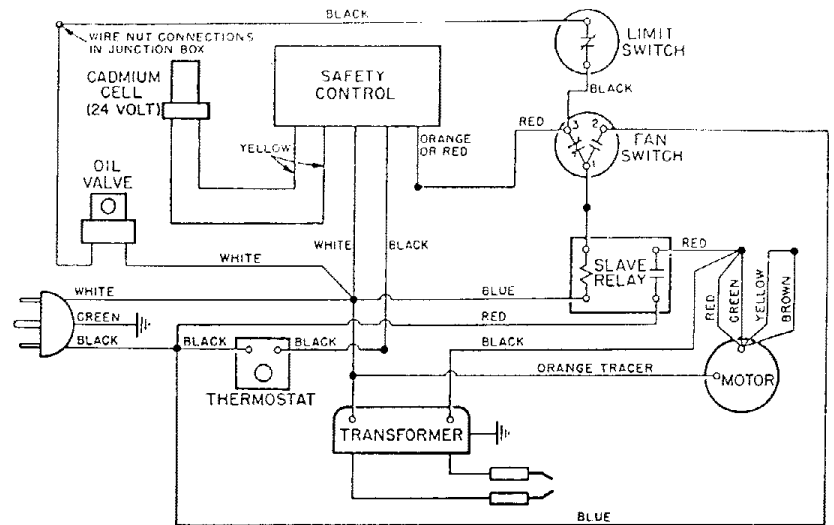


Figure 6. Heater Assembly Exploded View Sheet 2 of 2

Figure 6. Heater Assembly Exploded View Sheet 1 of 2

Fig. & Index No.	Part Number	Part Name	Qty.
6-1	M15835C	Cowl	1
	M11084-29	Screw, Self-tapping, hex hd., 10-12 x 3/4 in. (AP)	5
	M11271-6	Nut, Tinnerman (AP)	5
2	M17531-1C	Guard Assembly, Screen	1
3	M23383-1	Motor and Pump Assembly (See figure 7 for details)	1
	HC6-10C	Screw, Hex hd., 3/8-16 x 1-1/4 in. (AP)	4
	WP-6C	Washer, Plain, 3/8 in. (AP)	16
	NTC-6C	Nut, Torque lock, 3/8-16 (AP)	4
4	M16050	Fan	1
5	M24177	Key, Fan locating	1
6	M18666-1	Burner Head Assembly (See figure 8 for details)	1
	M12461-63	Screw, Hex hd., 1/4-20 x 1/2 in. (AP)	2
7	M10816-48	Electrode lead assembly	2
8	M23384	Fuel line	1
9	1000576	Grommet	2
10	M15853	Deflector, Air	5
	M12461-62	Screw, Hex hd., 1/4-20 x 3/8 in. (AP)	10
11	M15844C	Casting, Exhaust	1
	M10908-27	Screw, Self-tapping, hex hd., 10-32 x 1/2 in. (AP)	4
12	M15836-7	Heat exchanger assembly	1
13	M17389-2	. Front head assembly	1
14	M12461-27	. Screw, Hex hd., 10-32 x 1/2 in. (AP)	6
15	M28356-01B	Outer Shell Assembly	1
	M12461-27	Screw, Hex hd., 10-32 x 1/2 in. (AP)	8
	M11084-27	Screw, Self-tapping, hex hd., 10-12 x 1/2 in. (AP)	8
16	M15838-1C	Stack guard assembly	1
	M10908-27	Screw, Self-tapping, hex hd., 10-32 x 1/2 in. (AP)	4

Fig. & Index No.	Part Number	Part Name	Qty.
17	M4812-3C	Door, Access	1
	RF3-2C	Screw, Rd. hd., 10-32 x 1/4 in. (AP)	1
	M11271-3	Nut, Tinnerman (AP)	1
18	M18326B	Aspirator	1
19	M18328B	Bracket	6
	M11084-27	Screw, Self-tapping, hex hd., 10-12 x 1/2 in. (AP)	24
20	M24030C	Cone, Outer shell	1
21	M27789-01B	Support, Motor	1
	M11084-27	Screw, Self-tapping, hex hd., 10-12 x 1/2 in. (AP)	7
22	M3334-5	Fuel Line Assembly	2
23	M18919-4	Intake and Return Tube Assy	2
24	C5-10C	Cotter pin	2
25	WP-'0C	Washer, Plain, 5/8 in.	4
26	M26653	Wheel	2
27	M29015	Axle Assembly	1
28	M12345-52	Screw, Oval hd., #10-24 x 3-1/2 in.	10
29	M12345-34	Screw, Oval hd., #10-24 x 2 in.	6
30	NTC-3C	Nut, Self-Locking, #10-24	16
31	WP-3C	Washer, Plain	6
32	M28138B	Handle, Front	1
33	M23139B	Handle, Rear	1
34	M28140B	Frame, Wheel Support	1
35	M23284	Cap, Filler neck	1
36	M18053	Screen, Fuel tank	1
37	M8257	Plug, Pipe	1
38	M28147-01A	Fuel Tank Assembly	1
	M22887	Decal, Operation Instructions	1
	M24232	Decal, Dart	2
	M24724	Decal, Mfg. by	1
	M20532-1	Decal, Pump pressure	1
	M22743	Decal, Warning	1
	M22219	Decal, Wiring	1
	M23353	Paint, White, Aerosol Can	1
	M23353	Paint, Blue, Aerosol Can	1

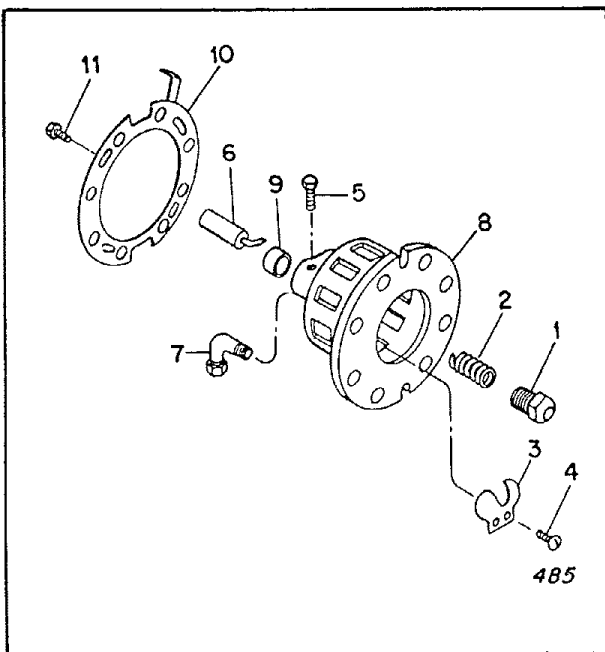


Figure 8. Burner Assembly

Index No.	Part Number	Part Name	Qty.
8-	Ref.	Burner Head Assembly	1
1	M18303	. Nozzle	1
2	M4274	. Spring	1
3	M3978	. Deflector, Air	1
4	RC1-2	. Screw, Rd hd., No. 6-32 x 1/4 in.	2
5	HF3-3	. Screw, Hex hd., No. 10-32 x 3/8 in.	2
6	M3981	. Electrode	2
7	69248	. Elbow	1
-	M3853G8	. Burner Body and Bushing Assembly	1
8	M18665	. . Burner Body	1
9	M16712	. . Bushing, Electrode	2
10	M16650G1	. Shutter Plate Assy	1
11	M12461-25	. Screw, Hex hd., No. 10-32 x 1/4 in.	4

Fig. & Index No.	Part Number	Part Name	Qty.	Fig. & Index No.	Part Number	Part Name	Qty.
6-1	M10908-1	Screw, Self-tapping, hex hd., 6-32 x 1/4 in.	3	25	NPC-1C	Nut, Plain 6-32	2
2	M12661B	Cover	1	26	M13961A	Bracket, Photocell	1
3	1001349	Connector	1	27	M25297-12	Thermostat Assembly	1
4	M25920	Insulator, Terminal	4	28	M10908-2	Screw, Self-tapping, hex hd., 6-32 x 3/8 in.	2
5	M18306-1	Cable Assembly	1	29	WLI-1	Lockwasher, Internal tooth, No. 6	2
6	M11084-27	Screw, Self-tapping, hex hd., 10-12 x 1/2 in. (AP)	2	30	M25121C	Bracket, Thermostat	1
7	M13042	Spacer	2	31	M11084-27	Screw, Self-tapping, hex hd., 10-12 x 1/2 in. (AP)	2
8	M16710	Gasket	1	32	M27570	Control, Safety	1
9	M12662	Spacer	2	33	M3558	Nut, Wire	5
10	M12656-4B	Controls and Box Assembly	1	34	M5187	Nut, Wire	2
11	NPC-3C	. Nut, Plain, 8-32	4	35	M21686	Relay, Slave	1
12	M12303	. Thermostat, Limit	1	36	1001349	Connector	1
13	M12302	. Thermostat, Fan	1	37	M10813-61	Extension Cord Assembly	1
14	M18305	. Spring	4	38	M3530	Grommet	6
15	M12297-2	. Collar	4	39	M3011	Box, Utility	1
16	M12461-20	. Screw, Hex hd., 8-32 x 1-1/8 in.	4	40	NTF-3C	Nut, Self-locking, 10-32 (AP)	3
17	M12657-1A	. Control Box Assembly	1	41	M12461-27	Screw, Hex hd., 10-32 x 1/2 in. (AP)	3
18	M28149-04	Lead wire	1	42	M27838B	Bracket	1
19	M3558	Nut, Wire	2	43	NTF-3C	Nut, Self-locking, 10-32 (AP)	2
20	M12461-2	Screw, Hex hd., 6-32 x 3/8 in.	2	44	M12461-27	Screw, Hex hd., 10-32 x 1/2 in. (AP)	2
21	M13963A	Clamp	1	45	M3259-4	Transformer	1
22	M13962A	Tube, Photocell	1	46	NPC-4C	Nut, Plain 1/4-20	2
23	M23609	Photo cell	1	47	WLM-4C	Lockwasher, 1/4 in.	2
24	M10908-1	Screw, Self-tapping, hex hd., 6-32 x 1/4 in.	2				

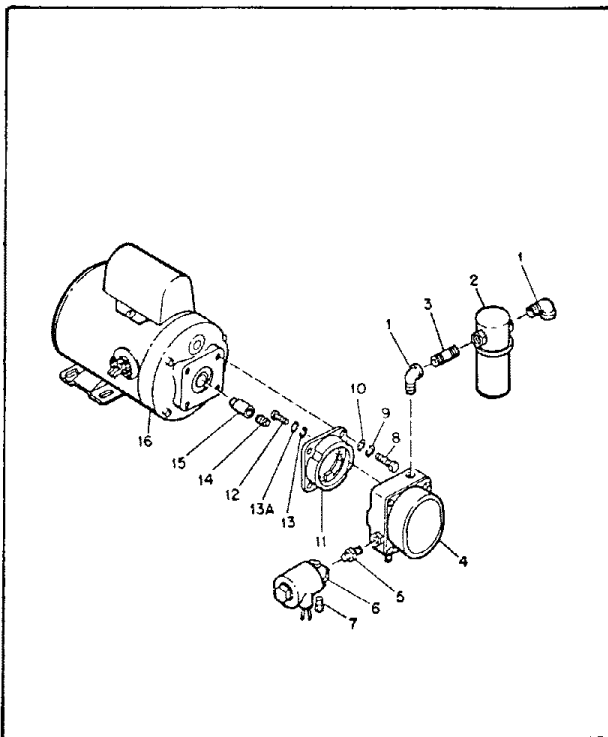


Figure 7. Motor and Pump Assembly

Index No.	Part Number	Part Name	Qty.
7-	M23383-1	Motor and Pump Assembly (See figure 5)	N/A
1	57413	Elbow, Street, 1/4 in.	2
2	M3973	Filter, Fuel	1
	M4307	. Filter Can	1
	M3301-2	. Filter Gasket	1
	M3301	. Filter Element	1
3	M3463	Nipple, Hex, 1/4-18 NPTF	1
4	M22872-2	Pump, Fuel	1
5	69246	Nipple, Pipe 1/8 in.	1
6	M3974-7	Valve, Solenoid	1
7	M5976	Connector, Male	1
8	*HC5-7C	Screw, Hex hd., 5/16-18 x 3/4 in.	4
9	*WLM-5C	Lockwasher, 5/16 in.	4
10	*WP-5C	Washer, Plain, 5/16 in.	4
11	M22348	Adaptor	1
12	*RF3-6C	Screw, Rd. hd., No. 10-32 x 3/4 in.	3
13	*WLM-3	Lockwasher, No. 10	3
13A	WP-3C	Washer, Flat	3
14	M18436	Spring	1
15	M22873	Coupling	1
16	M16006	Motor, Lead Alteration	1

N/A Not available as a service part. Order individual parts.
 * Standard Hardware. Procure locally.