

ATOMASTER HIGH PRESSURE HEATER MODEL AV250 Spec. No. 3162G07  
Form No. 433 BURNER HEAD ASSEMBLY

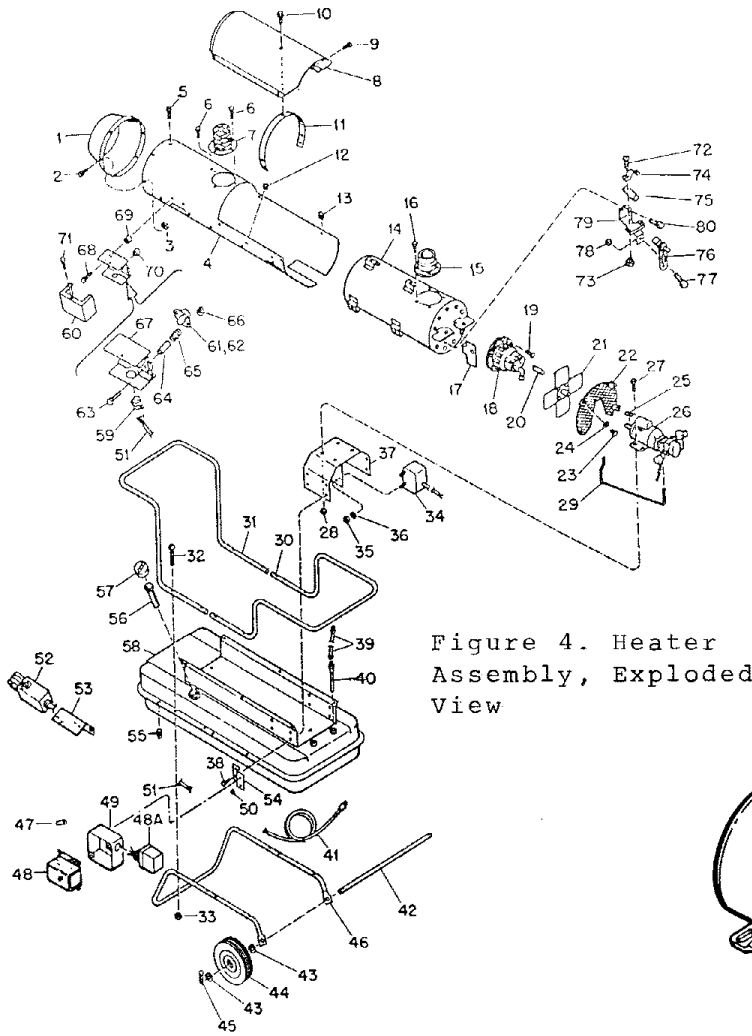


Figure 4. Heater Assembly, Exploded View

Index No.	Part Number	Part Name	Qty.
5-	M18666-2	BURNER HEAD ASSEMBLY	1
1	M25119	. Nozzle	1
2	M4274	. Spring	1
3	HF3-3C	. Screw, Hex hd., No. 10-32 x 3/8 in.	2
4	M3981	. Electrode	2
5	M28262	. Elbow	1
-	M3853-8	. Burner Body and Bushing Assembly	1
6	M28340	. Bushing, Electrode	2
7	M18665	. Burner Body	1

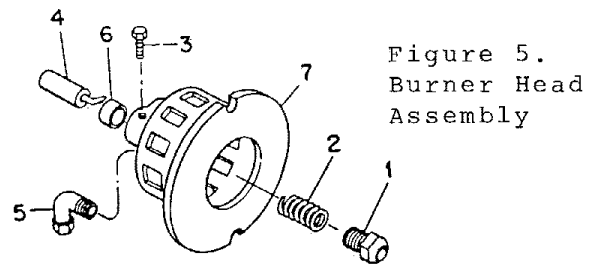


Figure 5. Burner Head Assembly

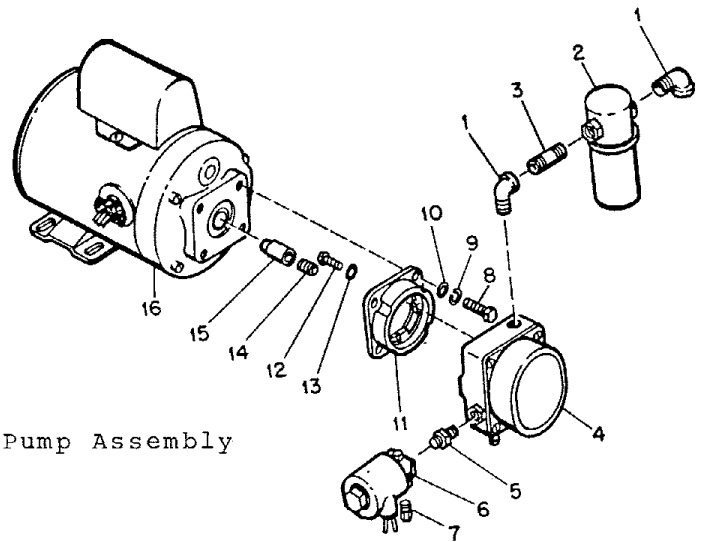


Figure 6. Motor and Pump Assembly

Index No.	Part Number	Part Name	Qty.
6-	M23373-2	Motor and Pump Assy	NA
1	57413	Elbow, Street 1/4 in.	2
2	M3973	Filter, Fuel	1
	M4307	. Filter Can	1
	M3301-2	. Filter Gasket	1
	M3301	. Filter Element	1
3	M17499-1	Nipple	1
4	M22872-1	Pump, Fuel	1
5	69246	Nipple, Pipe 1/8 in.	1
6	M29698-01	Valve, Solenoid	1
7	M5976	Connector, Male	1
8	*HC5-7C	Screw, Hex hd., 5/16-18 x 3/4 in.	4

Index No.	Part Number	Part Name	Qty.
9	*WLM-5C	Lockwasher, 5/16 in.	4
10	*WP-5C	Washer, Plain, 5/16 in.	4
11	M22348	Adaptor	1
12	*RF3-6C	Screw, Rd. hd., No. 10-32 x 3/4 in.	3
13	WP-3C	Washer, Plain	3
14	M18436	Spring	1
15	M22873	Coupling	1
16	M23357-1	Motor Assembly	1
	M29694-01	Tubing, Varnish, Solenoid leads	1
	1001349	Connector	1

NA Not available as a service part. Order individual parts.  
\* Standard Hardware. Procure locally.

PARTS LIST FOR FIGURE 4, HEATER ASSEMBLY

Index No.	Part Number	Part Name	Qty.	Index No.	Part Number	Part Name	Qty.
1	M18089AZ	Cone, Nose	1	50	M5889	Grommet	1
2	M12461-26	Screw, Hex hd, 10-32 x 3/8 in.	5	M12461-27	Screw, Hex hd, 10-32 x 1/2	2	
3	M11271-6	Nut, Tinnerman	5	NPF-3C	Nut, Torque lock	2	
4	M23486AZ	Shell, Outer	1	M5187	Connector, Wire	2	
5	M11804-27	Screw, Self-tapping, 10-12 x 1/2	3	I001349	Connector, Straight	4	
6	M11084-27	Screw, Self-tapping, 10-12 x 1/2	3	M21962-2	Wire Harness Assembly	1	
7	M11242-1AZ	Stack Guard Assembly	1	M25297-10	Thermostat Assembly	1	
8	M18087AZ	Cover, Outer shell	1	M25121-B	Thermostat Bracket	1	
9	M11084-27	Screw, Self-tapping, 10-12 x 1/2	1	M11084-27	Screw, Self-tapping, 10-12 x 1/2	2	
10	M12461-26	Screw, Hex hd, 10-32 x 3/8	4	M21766A	Bracket, Box, Mounting	1	
11	M22905A	Support, Cover	5	M8257	Plug, Pipe	1	
12	1000576	Grommet	1	M18053	Screen, Filler	1	
13	M11271-6	Nut, Tinnerman	6	M23284	Cap, Filler	1	
14	M25118-1	Heat Exchanger Assembly	6	M18298-2BA	Fuel Tank Assembly	1	
15	M10851AZ	Castings, Exhaust	1	1001349	Connector, Straight	1	
16	M11084-27	Screw, Self-tapping, 10-12 x 1/2	1	M12661A	Cover, Box	1	
17	M4785	Fin, Deflector	1	M12656-1A	Controls and Box Assy	1	
18	M12461-27	Screw, Hex hd, 10-32 x 1/2	4	M12303	. Thermostat, Limit	1	
18	M18666-2	Burner Head Assembly (See fig. 5 for details)	1	M12302	. Thermostat, Fan	1	
19	M11084-27	Screw, Self-tapping, hex hd, No. 10-12 x 1/2	2	M12461-18	. Screw, Hex hd, 8-32 x 1/8	4	
20	M10816-33	Electrode Lead Assembly	1	M12297-1	. Collar	4	
21	M23377	Fan	4	M12301	. Spring	4	
22	M23386-1AZ	Fan Guard Assembly	1	NPC-2C	. Nut, Hex, No. 8-32	4	
23	M12461-25	Screw, Hex hd, No. 10-32 x 1/4	2	M12657-1A	. Control Box Assy	1	
24	WLM-3C	Washer, Lock	4	M12461-27	Screw, Self tapping, 10-32 x 1/2	4	
25	M21964	Key, Locating	1	69	M13042	Spacer	2
26	M23373-2	Motor and Pump Assembly (See Fig. 6)	NA	70	M12662	Spacer	2
27	HC4-5C	Screw, Hex hd, 1/4-20 x 5/8	4	71	M10908-1	Screw, Self-tapping, 6-32 x 1/4 in.	1
28	NTC-4C	Nut, Torque lock	2	72	M12461-2	Screw	2
29	M18877	Fuel Line	1	73	NTC-1C	Nut	2
30	M19515A	Handle, Rear	1	74	M13963A	Clamp, Tube	1
31	M19516A	Handle, Front	1	75	M13962A	Tube, Photo Cell	1
32	M12345-49	Screw, Oval hd., 10-24 x 2-1/4	8	76	M23609-01	Photo Cell	1
33	NTC-3C	Nut, Torque lock	8	77	M12461-14	Screw	1
34	M27827-3	Transformer Assembly	1	78	NTC-2C	Nut	1
35	NPC-4C	Nut, Plain	2	79	M13961A	Photocell Bracket Assembly	1
36	WLM-4C	Washer, Lock	2	80	M10908-1	Screw	2
37	M19513-1BA	Motor Bracket Assembly	1				
38	M11084-27	Screw, Self-tapping, 10-12 x 1/2	8				
39	M3334-10	Fuel Line Assembly	2				
40	M18919-1	Intake Tube Assembly	2				
41	M10813-58	Extension Cord Assembly	1				
42	M18774	Axle	1				
43	WP-10C	Washer	4				
44	M8111	Wheel	2				
45	C5-10C	Pin Cotter	2				
46	M18519A	Frame, Wheel Support	1				
47	M24270	Cover, Terminal strip	1				
48	M27570	Control Relay, Safety	1				
48A	M20302	Relay	1				
49	M3011	Box, Utility	1				

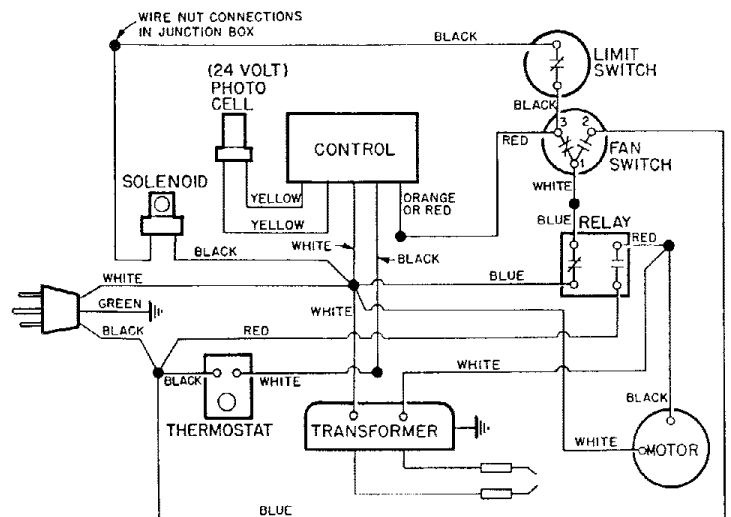


Figure 3. Wiring Diagram