

AGWAY  
AG 150S

Form # 2969

Spec # 3199G09 6-73

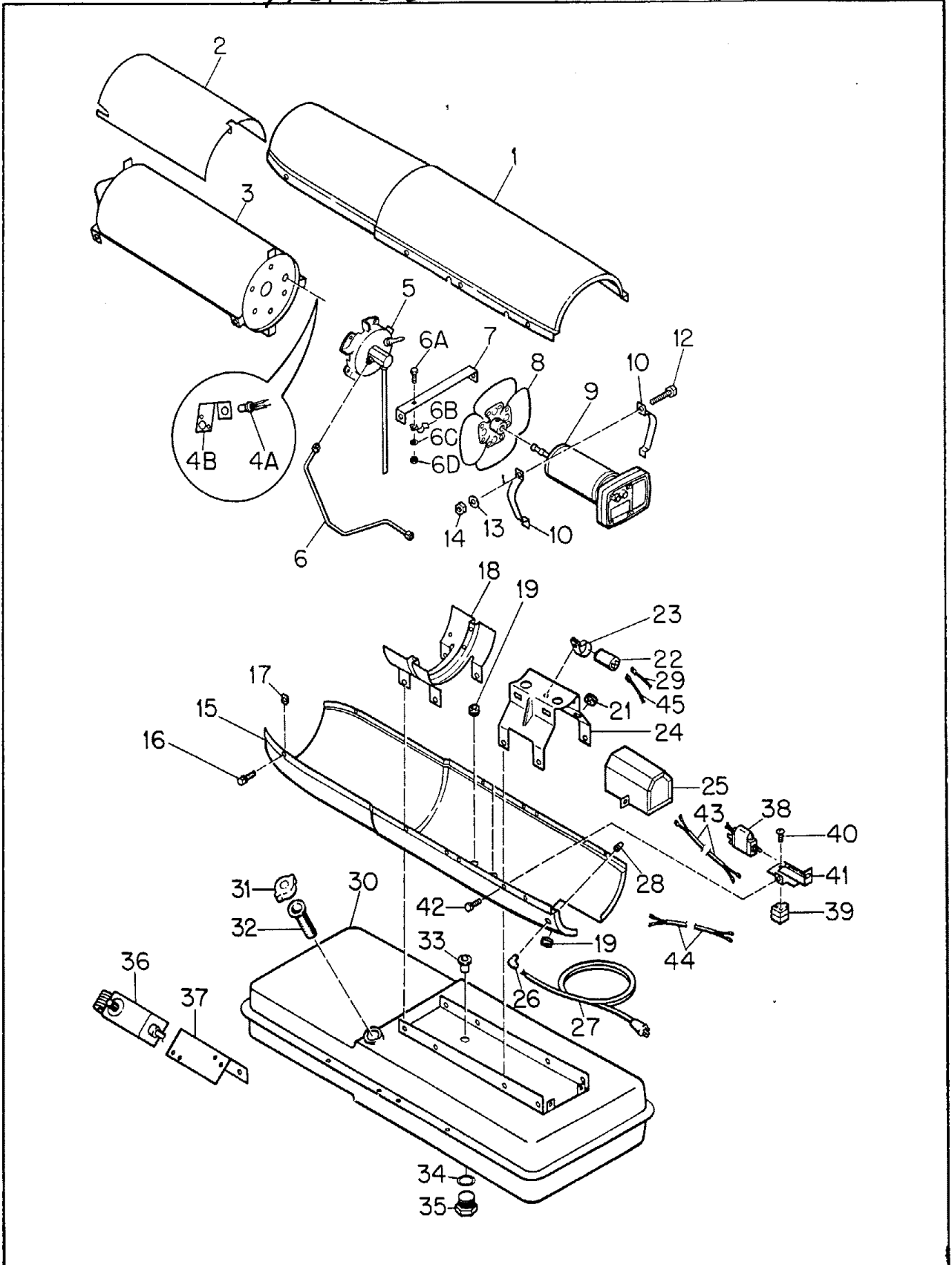
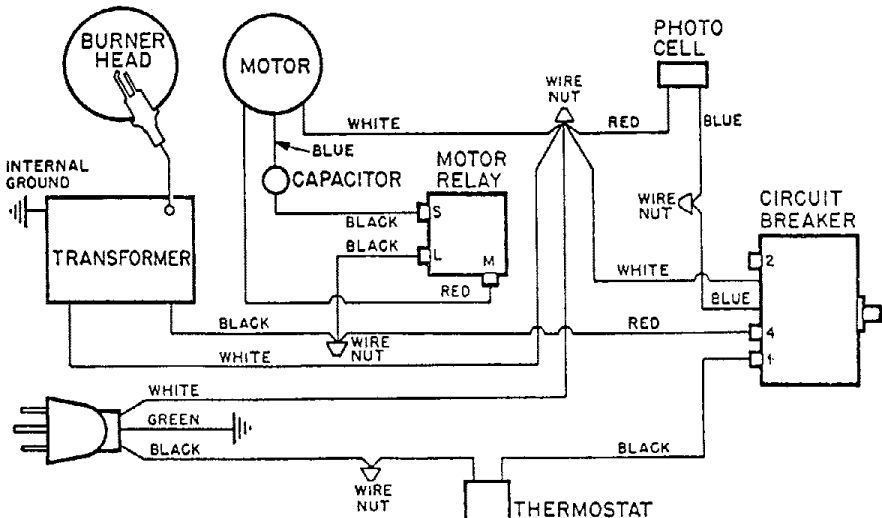


Figure 13. Heater Assembly, Exploded View

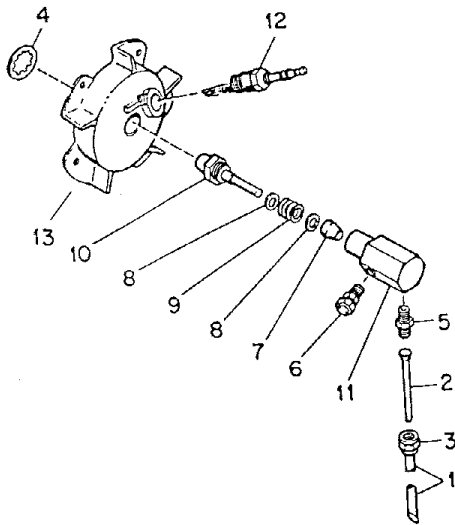
# AGWAY AG 150S

Spec# 3199G09

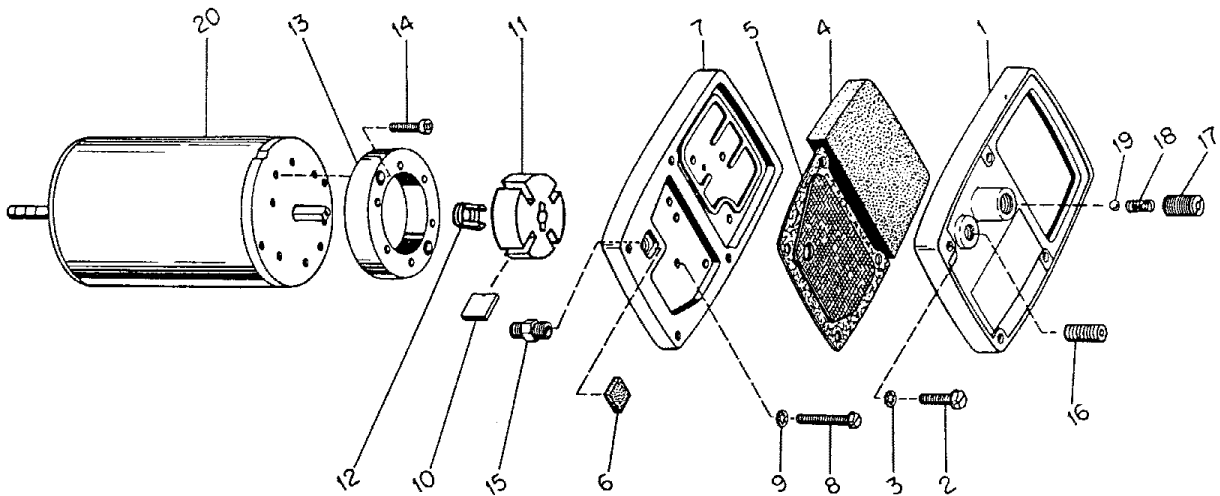
No.	Number	or Description	Notes	Qty.
1	M17015-1F	Shell Assembly, Upper	¢	1
2	M16679	Deflector, Heat		1
3	M16887-6	Combustion Chamber		1
	M11084-27	Screw (Combustion Chamber attaching, front)	*\$	2
	M11084-29	Screw (Combustion Chamber attaching, rear)	*\$	2
4A	M16656-3	Cell and Bushing Assy		1
4B	M16660	Bracket, Photo Cell		1
	M10908-1	Screw		2
5	M16803-4	<u>Burner Head Assy</u> (See Figure 14)	@	1
-	M11084-27	Screw (Burner Head to Combustion Chamber)	*\$	3
6	M16804	Air Line	@	1
6A	M12461-27	Screw (Air line retaining)		1
6B	M24717	Clamp (Air line)		1
6C	WLM-3	Lockwasher No. 10		1
6D	NPF-3C	Nut, Plain No. 10-32		1
7	M16871	Strap, Retainer		1
	M11084-27	Screw (Retainer Strap to Lower Shell)	*\$	2
8	M17058	Fan, 16" Pitch		1
	SF4-2-1/2K	Setscrew, Soc. hd., cup pt., 1/4-28 (Fan to Motor Shaft)		2
9	M17875-9	<u>Motor Package Assy</u> (See Figure 15)	@	1
10	M16661	Clamp, Motor		4
11	Not Used			
12	HC4-10C	Screw (Motor Clamps)	*\$	2
13	WLM-4	Lockwasher, 1/4 in. (Motor Clamps)	\$	2
14	NPC-4C	Nut, Hex, 1/4-20 (Motor Clamps)		2
15	M16810F	Shell, Lower	¢	1
16	M11084-27	Screw (Upper Shell to Lower Shell)	*\$	8
17	M11271-6	Nut, Tinnerman (Upper Shell to Lower Shell)	\$	8
18	M12828A	Bracket, Shell Support		1
	M11084-29	Screw (Support Bracket to Lower Shell and Fuel Tank)	*\$	4
	M11084-29	Screw (Lower Shell to Support Bracket)	*\$	2
19	1000576	Grommet (Cables and Leads thru Lower Shell)		4
21	1000577	Grommet (Leads to motor and capacitor)		2
22	M12650-1	Capacitor		1
23	M12651-1	Clamp, Tinnerman (Capacitor Mounting)		1
	M11084-27	Screw (Capacitor Clamp to Motor Support Bracket)	*\$	1
24	M16645	Bracket, Motor Support		1
	M11084-27	Screw (Motor Support Bracket to Lower Shell and Fuel Tank)	*\$	4
	M15823-26	Screw (Service Cord grounding to Motor Support Bracket)	*\$	1
25	M16697	Transformer, 5000-Volt	@	1
	M11084-27	Screw (Transformer to Motor Support Bracket)	*\$	2
26	M11954	Bushing, Strain Relief (Service Cord to Lower Shell)		1
27	M10813-33	Service (Extension) Cord		1
28	M13942-2	Connector (Wire Nut)	\$	4
	M13942-4	Connector (Wire Nut) approx. 7/8 in. long	\$	2
29	M9900-77	Wire Assy (to Capacitor)		1
30	M18371-3E	Fuel Tank	¢	1
31	M23284	Cap, Fuel Tank		1
32	M18053	Screen, Filler Neck		1
33	M10990-3	Bushing, Rubber (Fuel Filter into Fuel Tank)		1
	M25374-1	Plug, Drain		1
34	M25375	O-Ring		1
35	M25277	Plug, Pipe		1
36	M25297-1	Thermostat Assy		1
	RC1-3C	Screw (Thermostat to Bracket)	*	2
	NPC-1C	Nut, Plain 6-32 (AP)		2
	WLI-1	Lockwasher (AP)		4
37	M25121B	Bracket, Thermostat		1
	M11084-27	Screw (Thermostat Bracket to Lower Shell (AP))	*	2
38	M24982-5	Safety Control Sensor and Circuit Breaker		1
39	M12462-6	Relay, Starting		1
40	RC2-2C	Screw (Relay to Relay Brkt.)	*	2
41	M25296-1	Bracket, Safety Control		1
42	M11084-27	Screw		1
43	M16615G1	Wiring Harness Assy		1
44	M9900-80	Wire Assy., Safety Control		1
45	M9900G62	Wire Assy	\$	1
	ST2-2AC	Screw (Grounding)		1



# AGWAY AG150S Spec # 3199G09



14-	M16803-4	Burner Head Assembly (See figure 13)	@	1
1	M16790-12	. . . Filter Tube	@	1
2	M19630	. . . Filter, Fuel	@	1
3	M13849	. . . Nut, Flare		1
4	M16741-18	. . . Ring, Retaining		1
	M16787-3	. . . Nozzle Adapter Assy		1
5	M16791	. . . Connector, Male		1
6	M5976	. . . Connector, Male		1
7	M8882	. . . Sleeve, Nozzle Seal		1
8	M10659-1	. . . Washer, Nozzle Seal		2
9	M10809-1	. . . Spring, Nozzle Seal		1
10	M18022	. . . Nozzle, Aspirating, 1.0 gph		1
11	M16535	. . . Adapter, Nozzle		1
12	M10962-2	. . . Spark Plug		1
13	M23090	. . . Body, Burner		1



15-	M17875-9	<u>Motor Package Assembly</u> (See Figure 13, Index No. 9)		1
-	M16675G2	<u>Pump and Filter Parts</u> <u>Package</u>		1
1	M16545	. . . End Cover, Filter		1
2	M12461-31	. . . Screw (Filter End Cover to Pump Cover)		4
3	WLI-3	. . . Lockwasher, Internal No. 10		4
4	M12179	. . . Intake Air Filter		1
5	M12244-1	. . . Output Filter Assy		1
6	M11637	. . . Filter, Lint		1
7	M12233	. . . End Cover, Pump (Port Plate)		1
8	M12461-34	. . . Screw (End Cover to Motor)		6
9	WLI-3	. . . Lockwasher, Internal, No. 10		6
10	M8643-3	. . . Blade		4
11	M22456-3	. . . Rotor		1
12	M22009	. . . Insert		1
13	M8645-3	. . . Pump Body		1
14	FHPF3-7C	. . . Screw (Pump Body to Motor)		2
15	M5976	. . . Connector, Male		1
16	M22997	. . . Plug		1
17	M23105	. . . Screw, Pressure Adjustment		1
18	M10993-1	. . . Spring, Compression (Pressure Relief)		1
19	M8940	. . . Ball, 1/4 in. dia.		1
20	M17814-6	. . . Motor		1
-	M16675-2	Kit, Pump and Filter		1